

Brake Chamber

With Provia's brake chamber, the air pressure is converted efficiently into mechanical output force to brake the vehicles. Provia provides customers another cost attractive and TÜV certificated option of Brake Chamber with outstanding performance and trustworthy operation.

About

- Provia Brake Chamber has an universal design to cover multiple OE devices/applications
- Reliable and longer lasting operating cycle with high corrosion resistance compared to other budget brake chambers
- Better quality in preventing leakage from the air chamber
- Wide range of working temperature tolerance

Key Features

- Up to 1 million life cycles for chamber
- 96 hours corrosion resistance
- Working temperature: -40 °C ... +80 °C
- Maximum working pressure: 10.2 bar

Standard & Quality

- TÜV certificate
- Stroke length 57.0/63.5/76.2 mm



Feature	OE Original	ProVia	Aftermarket Average*
Quality			
Product life time Service chamber (cycles)			
Corrosion resistance (hours)			
Leakage (cm ³ / min)			
Engineering and Testing			

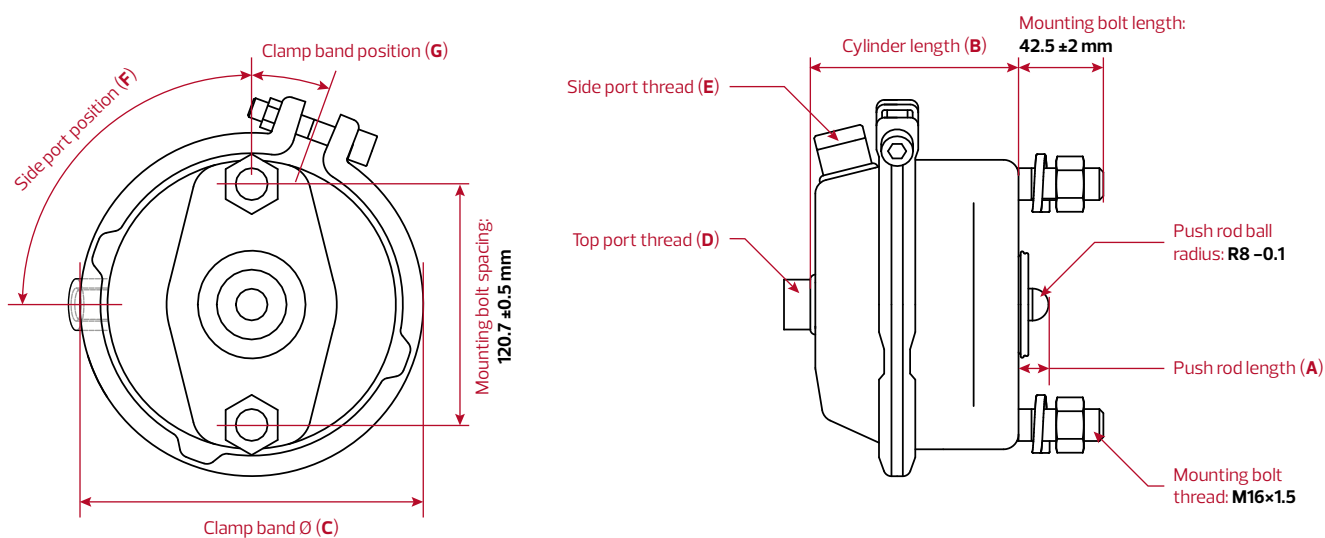
* Average low specification alternative product



Brake Chamber Disc

ProVia Brake Chamber – Dimensions and technical details

ProVia number	Type	Stroke	Push rod length (A)	Cylinder length (B)	Clamp band Ø (C)	Port / Fitting		Position	
						Top (D)	Side (E)	Side port (F)	Clamp band (G)
PRO 714 330 0	16	57.0 mm	15±0.5 mm	102 mm	Ø 172 mm	–	M16×1.5 / –	90°	45°
PRO 714 710 0	16	57.0 mm	15±0.5 mm	102 mm	Ø 172 mm	M16×1.5 / –	M16×1.5 / –	0°	20°
PR 0714 019 0	20	63.5 mm	15±0.5 mm	108 mm	Ø 179 mm	M16×1.5 / –	M16×1.5 / –	0°	20°
PRO 714 020 0	20	57.0 mm	15±0.5 mm	102 mm	Ø 179 mm	M16×1.5 / –	–	–	90°
PRO 714 030 0	20	63.5 mm	15±0.5 mm	108 mm	Ø 179 mm	M12×1.5 / –	M22×1.5 / NG12 Voss 232	125°	50°
PRO 714 241 0	24	63.5 mm	15±0.5 mm	108 mm	Ø 189 mm	M16×1.5 / –	M16×1.5 / –	0°	20°
PRO 714 242 0	24	63.5 mm	15±0.5 mm	108 mm	Ø 189 mm	M12×1.5 / –	M22×1.5 / NG12 Voss 232	30°	90°
PRO 714 244 0	24	76.2 mm	20±0.5 mm	118 mm	Ø 189 mm	–	M22×1.5 / –	180°	90°
PRO 714 245 0	24	76.2 mm	26±0.5 mm	107 mm	Ø 189 mm	–	M22×1.5 / –	90°	167°



Cross References ProVia Brake Chamber

OE brand	OE number
PRO 714 019 0	
BPW	0203277400 0203277500 0544434010 0544434020
DAF	1517954
Doll	7054446
EvoBus	A0074201224
Kässbohrer	21151205030
Knorr-Bremse	BS3404 I131098
Kögel	337900
Lohr	WA4235050000
MAN	N2504016063
Mercedes-Benz	A0074201224
Noteboom	14315 1456901
Paccar	1517954
SAF	3454106760 3454108260 4454106760 4454108260
Scania	1932639
Schmitz	1020756
Volvo	WA4235050000
PRO 714 020 0	
DAF	1524853
ERF	81511016384
Knorr-Bremse	BS3417
MAN	81511016384 81511019384
Neoplan	81511016384
PRO 714 030 0	
Haldex	120920326
Knorr-Bremse	BS3401 BS3435 I138414FN00 K004171N00 K004486N00
Mercedes-Benz	A0054206824 A0084201524
Renault Trucks	5021204036

OE brand	OE number
PRO 714 241 0	
Alexander Dennis	AB4235061430
BPW	0203277800 0203277900 0544436010 0544436020
DAF	1517956
Doll	7054433
EvoBus	A0074201424
FAW	3519015DA1S
Iveco	500590336
Knorr-Bremse	1.18867
Kögel	337902
Lohr	WA4235060010
Mercedes-Benz	A0074201424
Noteboom	1664253 17157
Paccar	1517956
SAF	3454106960
Scania	1542896 1932640
Volvo	3177339 70330019 WA4235060010
PRO 714 242 0	
Haldex	120924321
Knorr-Bremse	BS3514 K002624 K002624N00 K003996N00
Mercedes-Benz	005 420 7724 005 420 8324 008 420 0624
PRO 714 244 0	
Knorr-Bremse	BS3536 BS3536 I137133 K015589N00
MAN	81511016434 81511016498
PRO 714 245 0	
Knorr-Bremse	BS3526 I132723 K015591N00

OE brand	OE number
MAN	81511016425 81511016491
PRO 714 330 0	
Knorr-Bremse	BS3300 I114535
Mercedes-Benz	54203924 74207424
PRO 714 710 0	
Ashok Leyland	445332068
BPW	0203277000 0203277100 0544432010 0544432020
DAF	1505241
EvoBus	A0064205224
Frühaufl	AJV4526
Goldhofer	169345
Haldex	125160001
Hendrickson	4231047100
Kempf	2001001 2001036
Knorr-Bremse	I114535 I137140
Kögel	334652
Krone	5812866 58128660 505812866 5058128660
Mercedes-Benz	A0064205224 A0064205224
Noteboom	14338 1815504
Paccar	1505241
SAF	3454106560 3454108160 4454106560 4454108160
Sauer-Werkzeug	3454106560 3454108160
Scania	1932621
Valx	50397001
Volvo	WA4231047100