

DRAFT FOR TEXT AREAS EXPLANATION ONLY. DRAFT CAN BE DIFFERENT TO THE REAL PART.

IDENTIFICATION	DESIGNATION	KIND OF MARKING	COLOUR	SIZE OF TYPES RESP. STANDARD	REMARKS
e	PROVIA - LOGO	TAMPON / UV-BRANDING	WHITE	SIZE 6	
f	PROVIA - SET NUMBER	TAMPON / UV-BRANDING	WHITE	HEIGHT OF CHARACTERS 5 ± 1MM HEIGHT OF CHARACTERS AND POSITION OF THE MARKING MAY BE ACC. TO THE SHAPE OF THE BACKING PLATE	
g	PROVIA - SALES REFERENCE, US-CODE (WHEN EXIST)	TAMPON / UV-BRANDING	WHITE		
h	NUMBER OF WVA	TAMPON / UV-BRANDING	WHITE		
j	NUMBER OF ECE	TAMPON / UV-BRANDING	WHITE		
k	COUNTRY OF ORIGIN	TAMPON / UV-BRANDING	WHITE		
l	BATCH NUMBER	TAMPON / UV-BRANDING	WHITE		
m	ENVIRONMENTAL MARKING ACC. TO SAE J866 JUL.2012 OR LATEST	TAMPON / UV-BRANDING	WHITE		

- A MAX. 10% LACQUER PERMITTED, WITHOUT MOULD SKIN. (ACC. TO FINISHING CODE)
- B FIRMLY ATTACHED BURR AROUND PAD CONTOUR PERMITTED, MUST NOT PROTRUDE BEYOND BACKING PLATE

POS.	NAME	QUANTITY
1	BRAKE PAD	4

Copyright WABCO®

ProVia

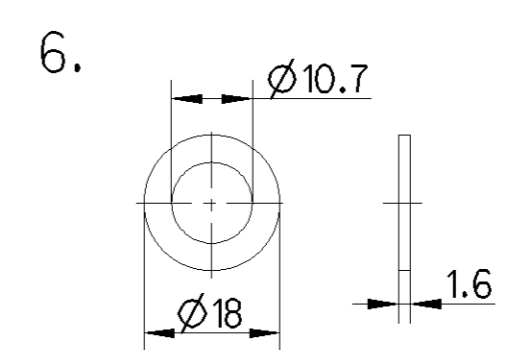
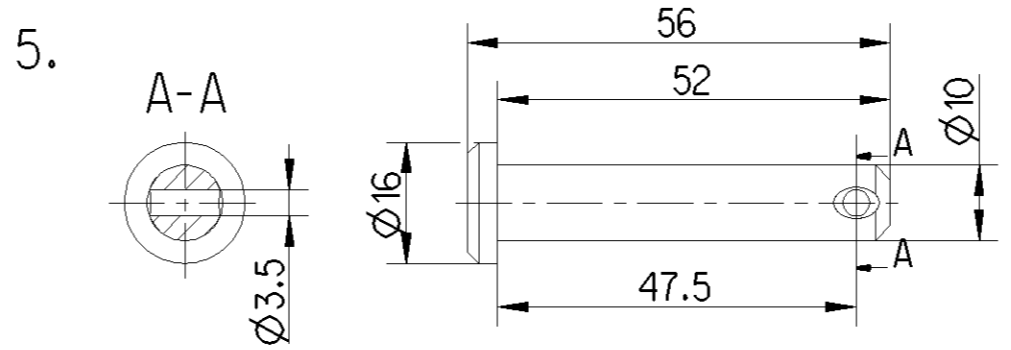
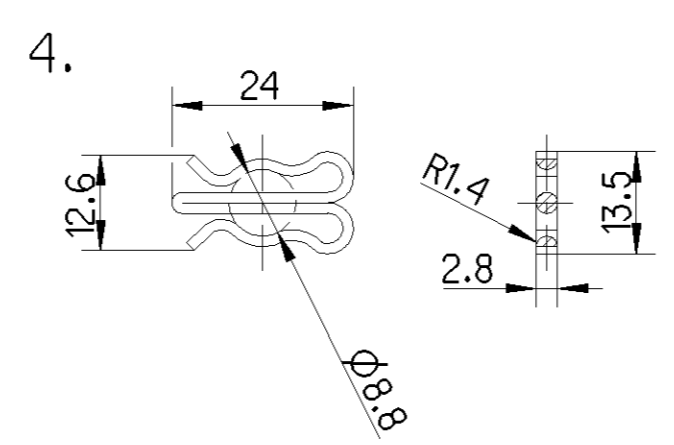
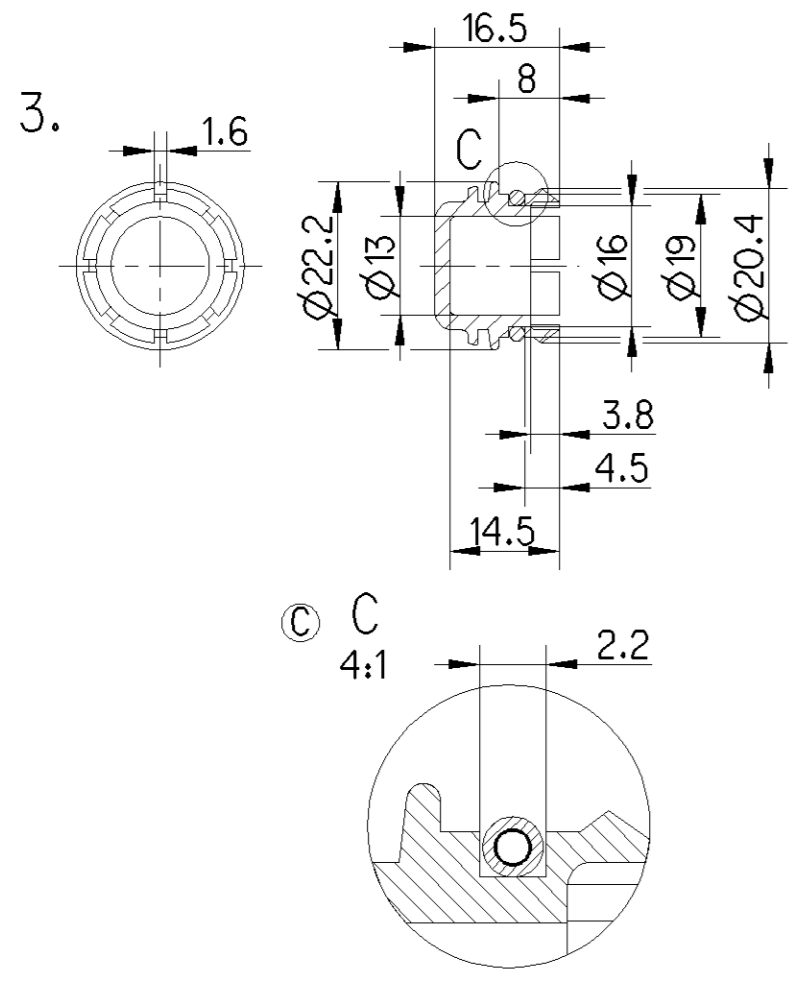
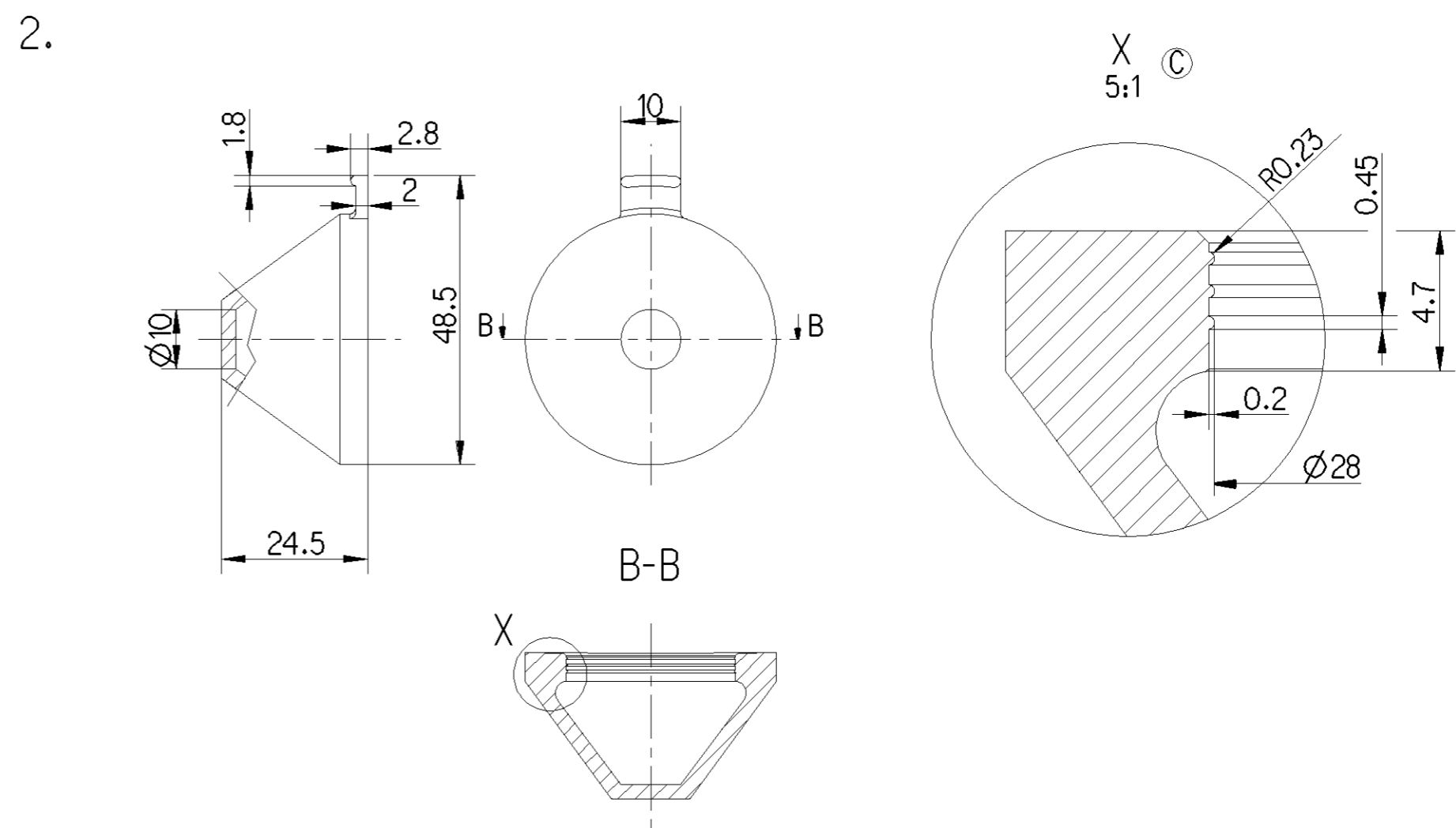
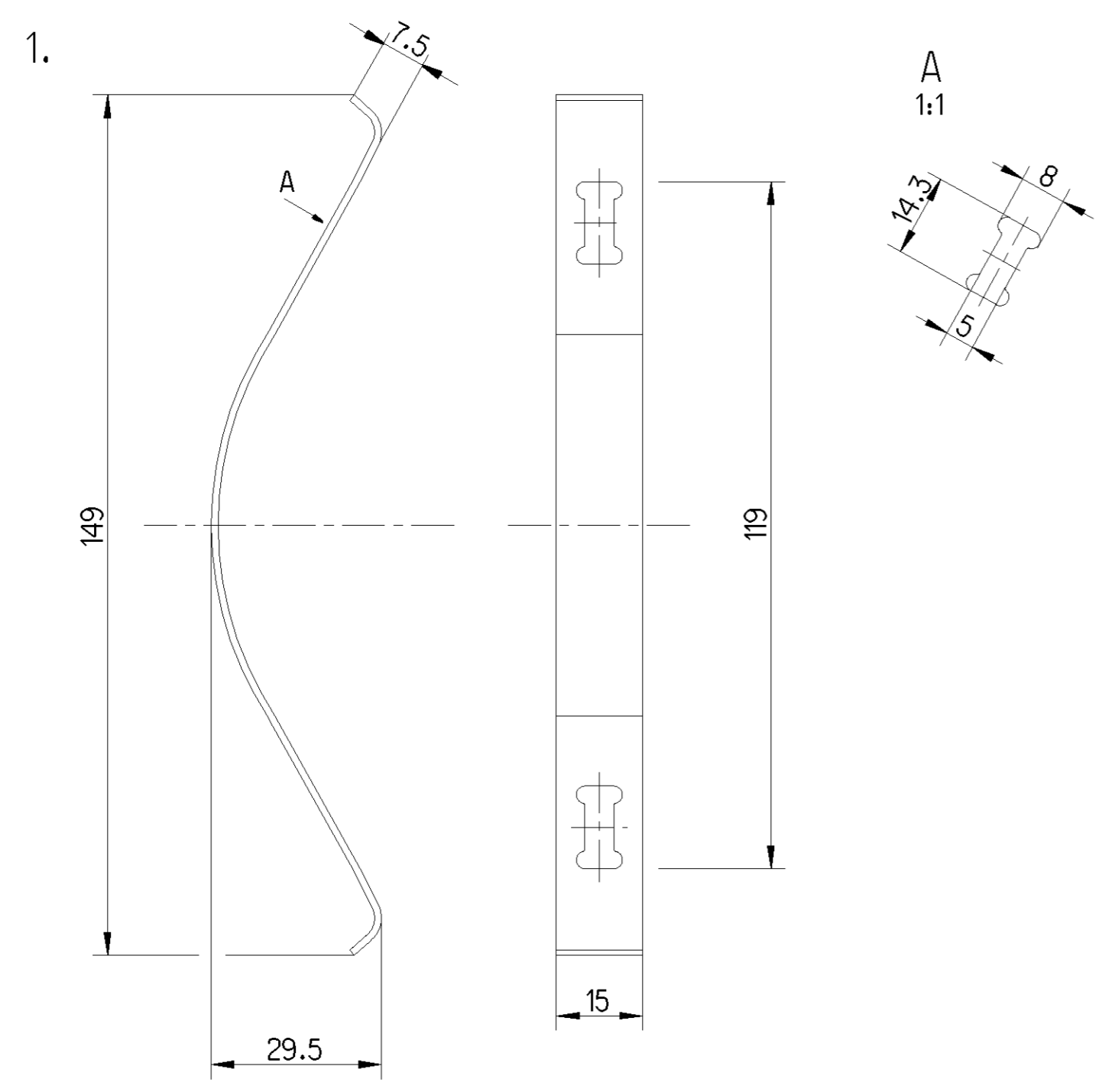
PAD KIT

General Specification: JED-334-1 - Size ISO 14405 LP	Date: 2018-07-17	Signature: Cebulo
Further Technical Data: Product Specification	Doc. Code: Q14	Sheet: 1
General Tolerances JED-261	Checked: Marcinkiewicz	Expert: Liszwan
Class 1) 1) ≤ 50 1.0 1.5 2.0	2) 50 > 180 1.0 1.5 2.0	3) 180 ≤ 400 1.0 1.5 2.0
Fine X 1.0 2.0 3.0 4.0 ±3°	Medium 2.0 3.5 5.0 6.5	Coarse
Mass: 8.2 kg	Scale: 1:1 (2:1)	Material No.: 340 901 060 2
Size: A 1 CREO	Revision: 176942	Doc. Code: 005 EN
1) Tolerance Class Applied Crossmarked	2) Tolerance Class Applied Crossmarked	3) Tolerance Class Applied Crossmarked

Date of first issue: 2016-03-26

Replacement for: -

Non è permesso copiare o riprodurre questo documento, né utilizzare il contenuto a fini commerciali, senza permesso scritto dalla WABCO. È vietata espressamente la ristampa o l'uso non autorizzato. Toute réimpression ou utilisation non autorisée sans la permission écrite de la WABCO est formellement interdite. Toute utilisation non autorisée sera considérée comme étant illicite.



POS.	NAME	QUANTITY
1	CLIP	4
2	CAB	2
3	PROTECTING CAP	2
4	LOCKING SPRING	2
5	BOLT	2
6	WASHER	2

Non e permesso copiare, o terzi o riprodurre questo documento, ne utilizzare il contenuto o renderlo comunque noto a terzi senza autorizzazione esplicita. Ogni infrazione costituisce un evidente abuso e comportera il risarcimento dei danni subiti. E' fatta riserva di tutti i diritti derivanti da brevetti o modelli.
 Copying of this document and giving it to others and the use or communication of the contents thereof, are forbidden without express authority. Contravention of this restriction will constitute an evident abuse and result in a liability to the payment of damages. All rights are reserved in the event of the grant of patent or registration of a utility model or design. This document is the subject of copyright.
 Toute communication ou reproduction de ce document, toute exploitation ou communication de son contenu sont interdites, sauf autorisation expresse. Tout manquement a cette regle constitue un abus evident et expose son auteur au versement de dommages et interets. Tous droits de proprieete industrielle reserves, notamment en matiere de brevets et de modesles.
 Weitergabe sowie Vervielfaltigung dieser Unterlagen, Verwertung und Mitteilung ihres Inhalts nicht gestattet, soweit nicht ausdrücklich ansonsten, zu wiederholenden, stellen eindeutigen, offensichtlichem Missbrauch dar und verpflichten zu Schadensersatz. Alle Rechte hier den Fall der Patentierung oder Gebrauchsmuster-Eintragung vorbehalten.

General Specification: JED-334-1, Size ISO 14405 LP
 Further Technical Data: Product Specification
 Doc. Code: 014 Sheet: To
 General Tolerances JED-261
 Range of Nominal Dimensions (± mm)
 Class 1) ≤ 50 > 50 ≤ 180 > 180 ≤ 400 > 400
 Fine 0.5 1.0 1.5 2.0
 Medium X 1.0 2.0 3.0 4.0
 Coarse 2.0 3.5 5.0 6.5
 Tapped Holes acc. -
 1) Tolerance Class Applied Crossmarked

Copyright WABCO®
 Date: Signature:
 2018-07-17 Drawn: Cebula
 2018-07-18 Checked: Marcirkiewicz
 Expert: Lisztwan
 Mass: Scale: Material No.: Date of first issue: 2015-03-26
 0.5 xG (4:1, 5:1) 340 901 060 2
 Doc. Code Language Sheet: 005 EN 2/2
 Size CAD System: A 2 CREO
 ECN-No.: 176942 Revision: 8 x C Techn. Resp.: 0959 Replacement for: -

ProVia
PAD KIT