

Draft for text areas explanation only. Draft can be different to the real part.

Identification	Designation	Kind of Marking	Colour	Size of Types resp. Standard	Remarks
e	ProVia - Logo	Tampon / UV-branding	white	Size 6	
f	ProVia - Set number	Tampon / UV-branding	white	Height of characters 5 ±1 mm Height of characters and position of the marking may be acc. to the shape of the backing plate	
g	ProVia - Sales reference, US-Code (when exist)	Tampon / UV-branding	white		
h	Number of WVA	Tampon / UV-branding	white		
j	Number of ECE	Tampon / UV-branding	white		
k	Country of origin	Tampon / UV-branding	white		
l	Batch number	at markers option	white		
m	Environmental marking acc. to SAE J866 JUL2012 or latest	at markers option	white		

a Max. 10% lacquer permitted, without mould skin. (acc. to finishing code)

b Firmly attached burr around pad contour permitted, must not protrude beyond backing plate

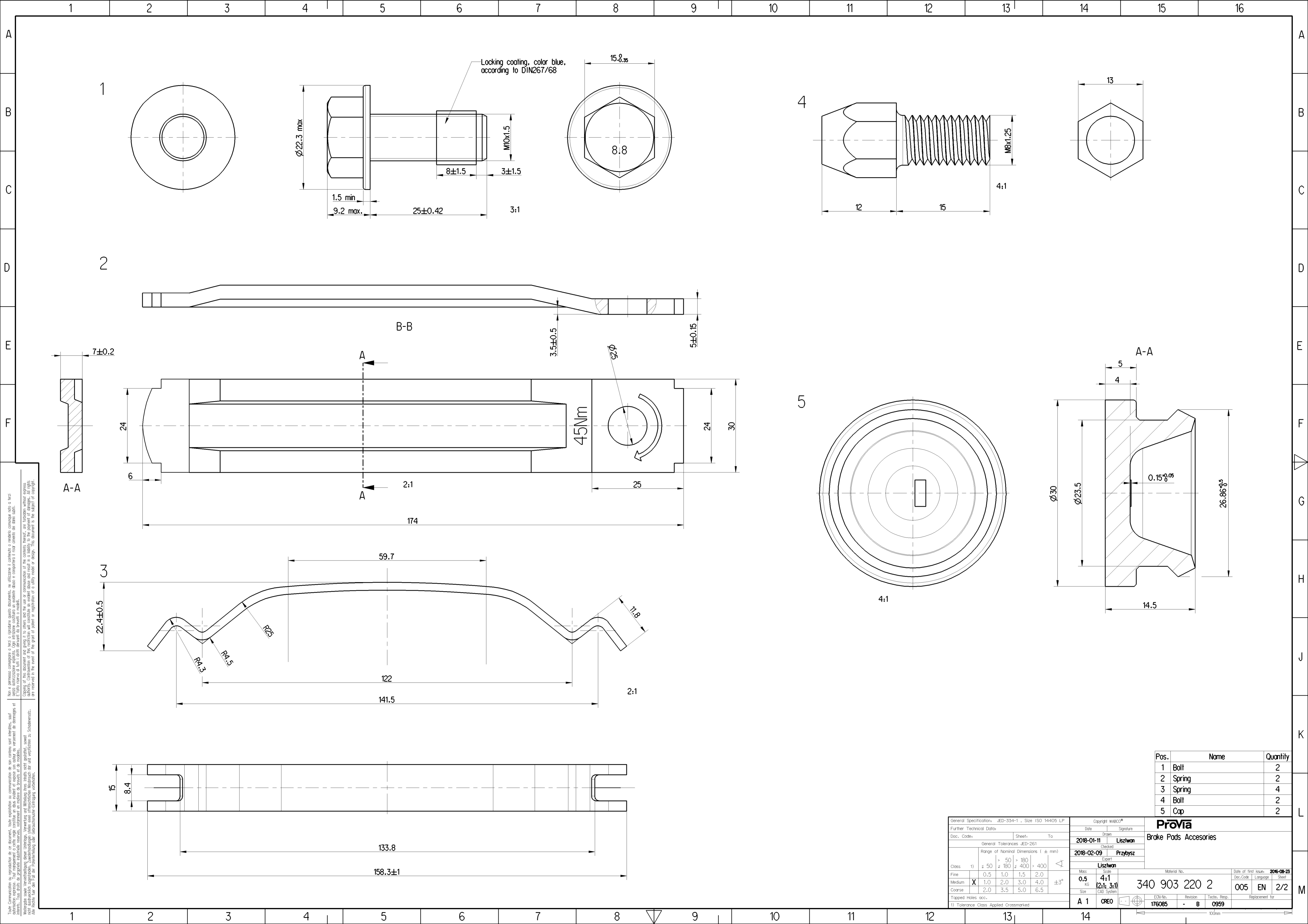
Pos.	Name	Quantity
1	Brake pad	4

General Specifications: JED-334-1 - Size ISO 14405 LP
Copyright WABCO®
Further Technical Data: PART SPECIFICATION
Date: 2018-01-11
Doc. Code: 014
Sheet: 1 To 4
General Tolerances JED-261
Range of Nominal Dimensions (± mm)
Class 1) ≤ 50 > 50 > 180 > 400
Fine 0.5 1.0 1.5 2.0
Medium X 1.0 2.0 3.0 4.0 ±3°
Coarse 2.0 3.5 5.0 6.5
Mass 11.0 kg
Scale 4:1 (2:1, 3:1)
Size CAD System
Tapped Holes acc.
1) Tolerance Class Applied Crossmarked

Signature: Liszwan
Date: 2018-02-09
Expert: Przybycz
Material No.: 340 903 220 2
Date of first issue: 2016-08-23
Doc. Code: 005 EN 1/2
Revision: 1x B
Tech. Resp.: 0959
Replacement for:

ProVia
Brake Pads

Non è permesso copiare o riprodurre questo documento, né utilizzare il contenuto a fini di lucro o per scopi non autorizzati. È vietata espressamente la ristampa o l'uso non autorizzato di questo documento. Toute réimpression ou utilisation non autorisée sans la permission écrite de la WABCO est formellement interdite. Toute réimpression ou utilisation non autorisée sans la permission écrite de la WABCO est formellement interdite. All rights reserved. No part of this document may be reproduced, stored in a retrieval system, or transmitted in any form or by any means electronic, mechanical, photocopying, recording, or by any information storage and retrieval system. All rights reserved. No part of this document may be reproduced, stored in a retrieval system, or transmitted in any form or by any means electronic, mechanical, photocopying, recording, or by any information storage and retrieval system.



Tutti i diritti sono riservati. È vietata espressamente la ristampa o l'uso non autorizzato senza permesso scritto dalla Prövia. È vietata espressamente la ristampa o l'uso non autorizzato senza permesso scritto dalla Prövia. È vietata espressamente la ristampa o l'uso non autorizzato senza permesso scritto dalla Prövia.

Pos.	Name	Quantity
1	Bolt	2
2	Spring	2
3	Spring	4
4	Bolt	2
5	Cap	2

General Specifications: JED-334-1 - Size ISO 14406 LP		Copyright WABCO®	
Further Technical Data:		Date: 2018-01-11	Signature: Liszwan
Doc. Code:	Sheet: To	Date: 2018-02-09	
General Tolerances JED-261		Checked: Liszwan	
Range of Nominal Dimensions (± mm)		Expert: Przybysz	
Class	1) ≤ 50	2) > 50 ≤ 180	3) > 180 ≤ 400
Fine	0.5	1.0	1.5
Medium	X 1.0	2.0	3.0
Coarse	2.0	3.5	5.0
Tapped Holes acc.		Material No.: 340 903 220 2	
1) Tolerance Class Applied Crossmarked		Mass: 0.5 kg	Date of first issue: 2016-08-23
		Size: A 1 CREO	Doc. Code: 005 EN
		Scale: 4:1 (2:1, 3:1)	Language: 2/2
		Revision: - B	Sheet
		Techn. Resp.: 0959	Replacement for
		176085	

100mm