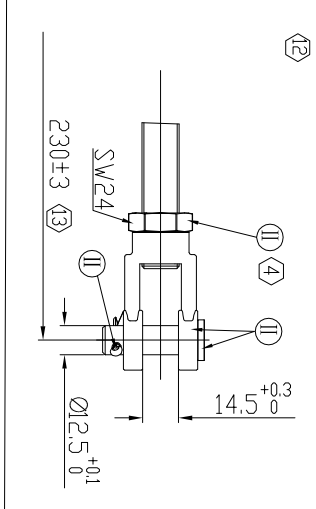
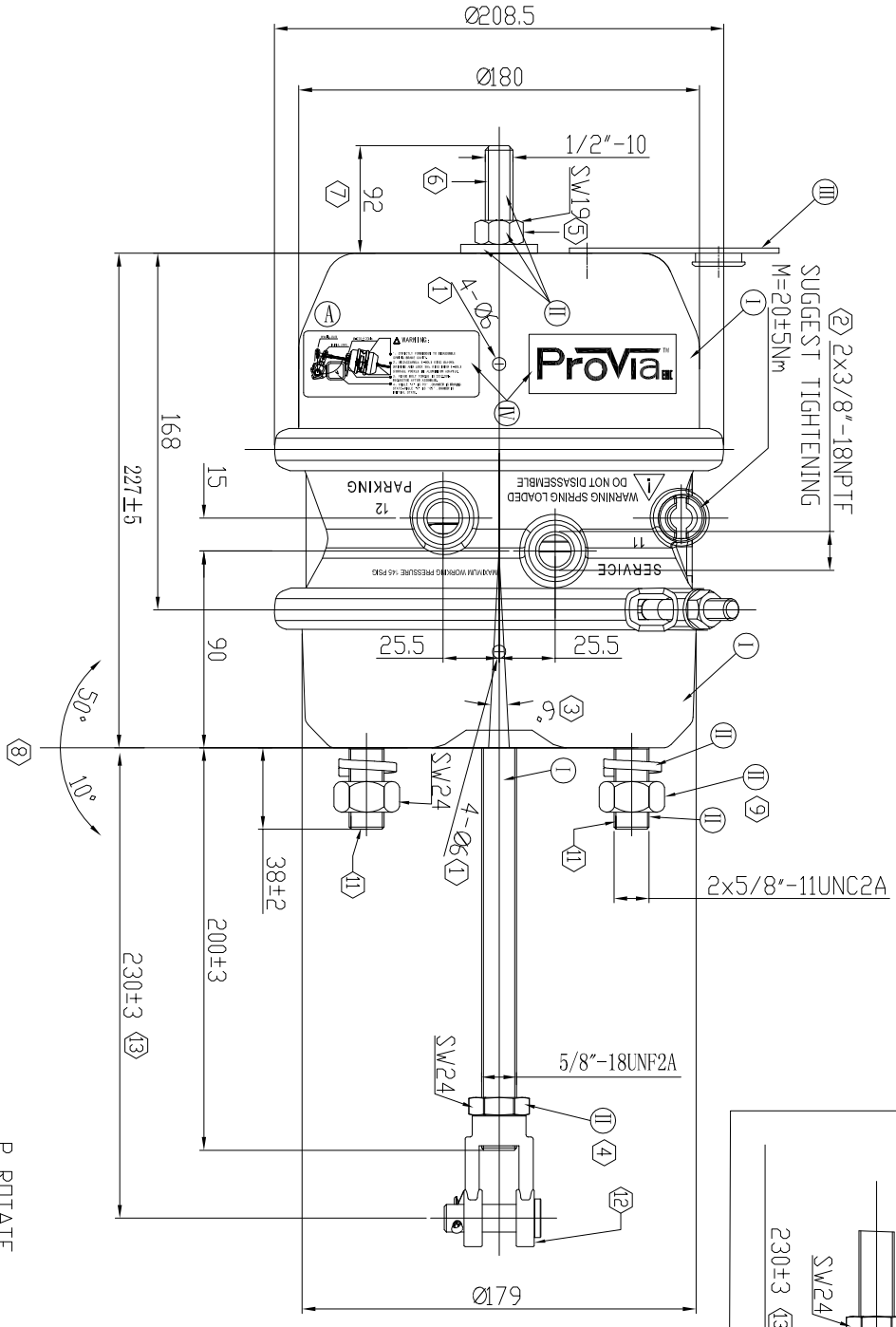
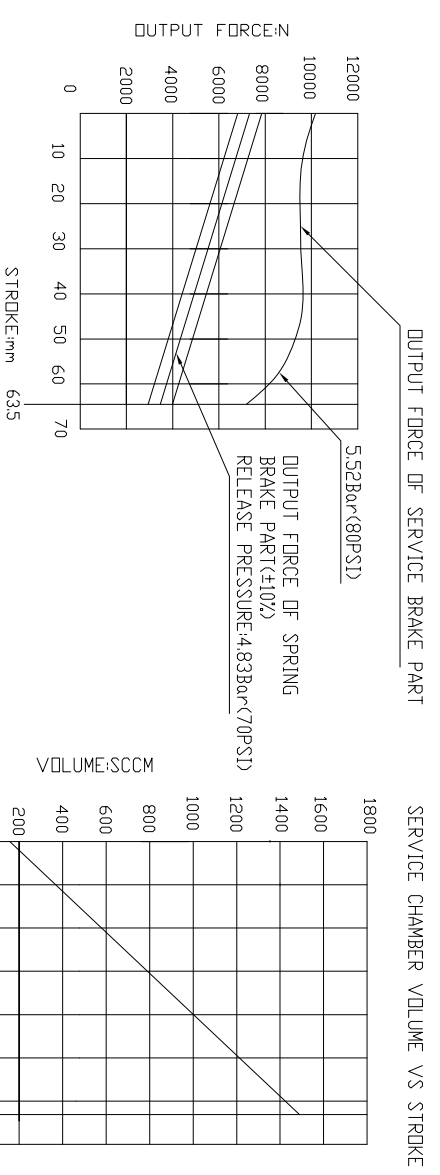
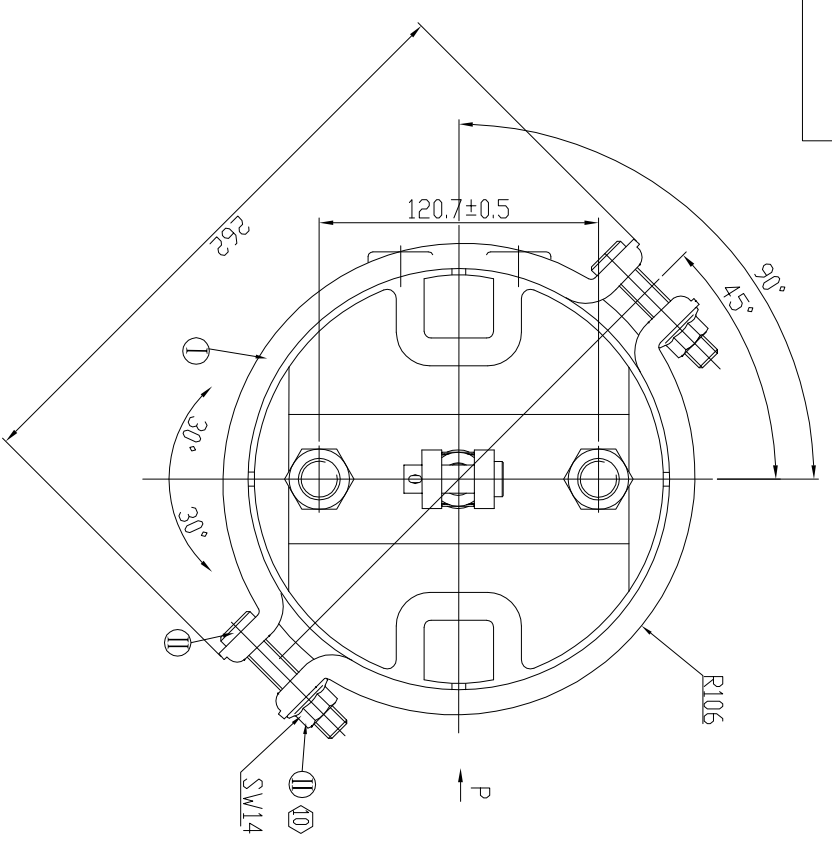


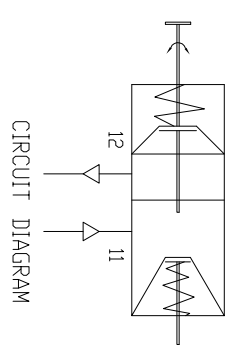
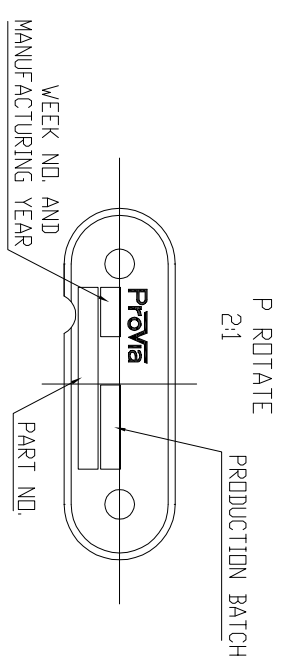
A	EXTERNAL SURFACE
I	ELECTRO-PAINTING
II	ZINC PLATED WITH CR6+ FREE
III	HARD POLYETHYLENE
IV	STICKER



- ① OPEN BREATHER HOLE, DEFLECTION ANGLE $\pm 30^\circ$
- ② TORQUE: $45 \pm 5 \text{ Nm}$; THREAD PLUG IS INSTALLED
- ③ DEFLECTION: MAX 6° AT 0mm STROKE
- ④ TORQUE: $80 \pm 10 \text{ Nm}$
- ⑤ TORQUE: MAX 25 Nm
- ⑥ CONDITION AS SUPPLIED; POWER SPRING IS NOT COMPRESSED
- ⑦ SIZE WHEN SPRING COMPRESSED
- ⑧ PARTIAL DEFLECTION ANGLE ALLOWED
- ⑨ TORQUE: $220 \pm 20 \text{ Nm}$
- ⑩ TORQUE: $\geq 25 \text{ Nm}$
- ⑪ DURING DELIVERY CONDITION YOKE IS ASSEMBLED IN ANY OF THE MOUNTING BOLT
- ⑫ THIS PART HAS TO BE ASSEMBLED BY CUSTOMER WITH STAND-OUT ⑬ AND TORQUE ⑭ AS MENTIONED IN MAIN VIEW
- ⑬ STAND-OUT DIMENSION AFTER ASSEMBLING YOKE

TECHNICAL REQUIREMENT:

1. STROKE-PARKING CHAMBER: 263.5 mm (2.5°)
- SERVICE CHAMBER: 263.5 mm (2.5°)
2. WORKING PRESSURE: APPLIED PRESSURE 8 Bar (116 PSI); MAX. WORKING PRESSURE: 10 Bar (145 PSI)
3. WORKING TEMPERATURE: -40° C , $+80^\circ \text{ C}$ (-40° F ... $+176^\circ \text{ F}$);
4. THE DRAWING IS AT CAGED CONDITION. THE PARKING CHAMBER WILL BE AT UNCAGED CONDITION DURING SHIPMENT



Toute communication ou reproduction de ce document, toute exploitation ou communication de son contenu sont interdites, sauf autorisation expresse. Tout manquement à cette règle constitue un abus évident et expose son auteur au versement de dommages et intérêts. Tous droits de propriété intellectuelle réservés, notamment en matière de brevets et de modèles.

Non è permesso consegnare a terzi o riprodurre questo documento, né utilizzare il contenuto o renderlo comunque noto a terzi senza autorizzazione esplicita. Ogni infrazione costituisce un evidente abuso e comporta il risarcimento dei danni subiti. È riservata ogni facoltà di diritto di proprietà intellettuale, in particolare in materia di brevetti e modelli.

Weitergabe oder Vervielfältigung dieser Lieferkarte, Verwertung und Mitteilung ihres Inhalts nicht gestattet, soweit nicht ausdrücklich zugestanden. Zuwiderhandlungen stellen einen offensichtlichen Mißbrauch dar und verpflichten zu Schadenersatz. Alle Rechte für den Fall der Patenterteilung oder Gebrauchsmuster-Eintragung vorbehalten.

Copying of this document and giving it to others and the use or communication of the contents thereof, are forbidden without express authority. Contravention of this restriction will constitute an evident abuse and result in a liability to the payment of damages. All rights are reserved in the event of the grant of patent or registration of a utility model or design. This document is the subject of copyright.

General Specification: JEI-2581-1 - Size 100 1445 UP					
Further Technical Data: 000 000 006 0					
Doc Code: 025	Sheet: 1 of 6				
General Dimensions: ± mm					
Class	D	< 50	< 100	< 400	> 400
File	0.5	1.0	1.5	2.0	2.0
Medium	X	1.0	2.0	3.0	4.0
Coarse	2.0	3.5	5.0	6.5	
Tolerances: see					
D) Tolerances Class depend on requirements					
Copyright: VIBRA®					
Part No.	System	2018-06-29	Responsible Engineer	30/30-25*	
DUPLICATE-DIAPHRAGM SPRING BRAKE					
Material: PRD 000 017 0					
Drawing No: 117770					
Date: 11/2018					
Scale: 1:1					
Drawing No: 005 EN					
Revision: 1/1					
Drawing No: 117770					
Drawing No: 117770					
Drawing No: 117770					