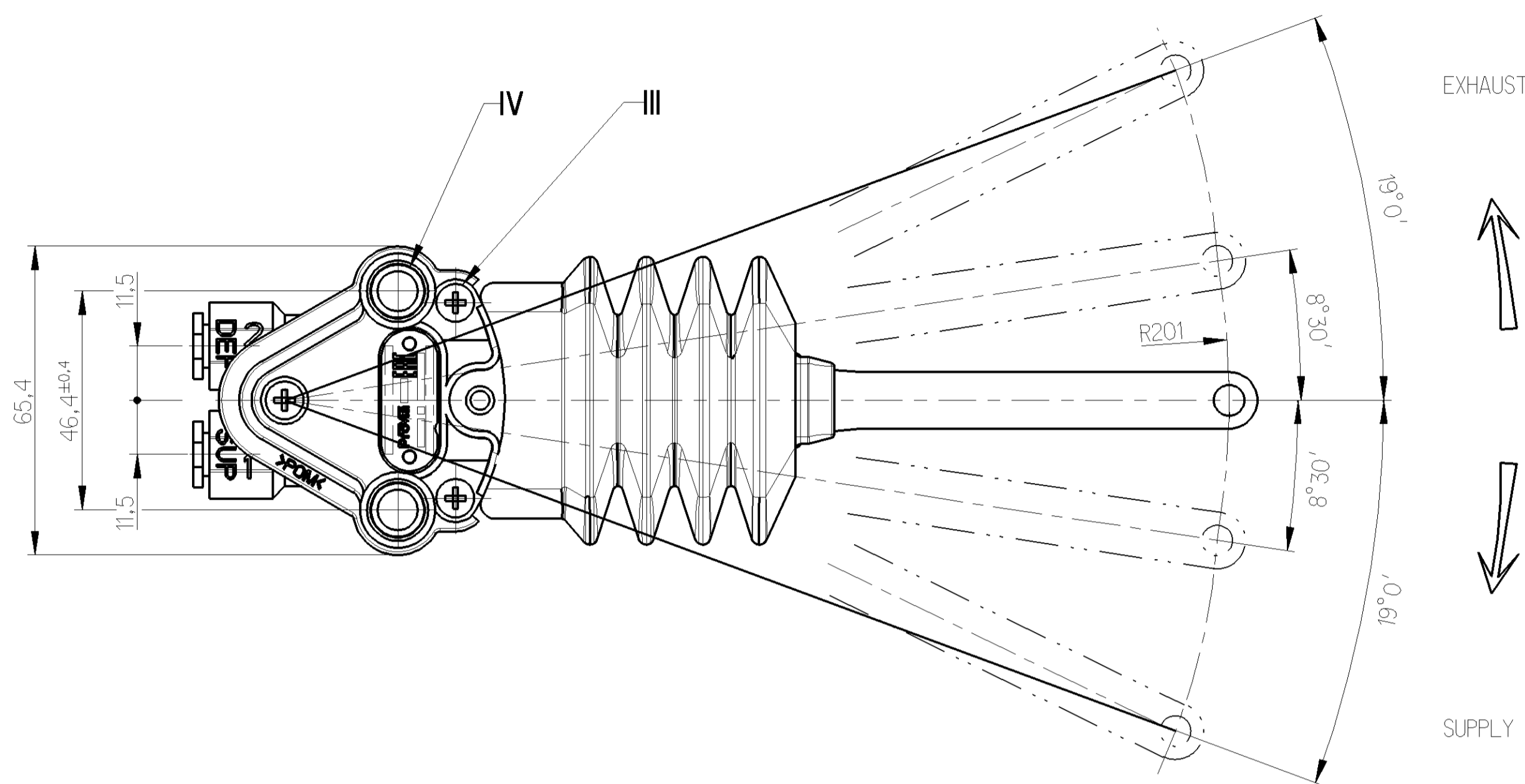
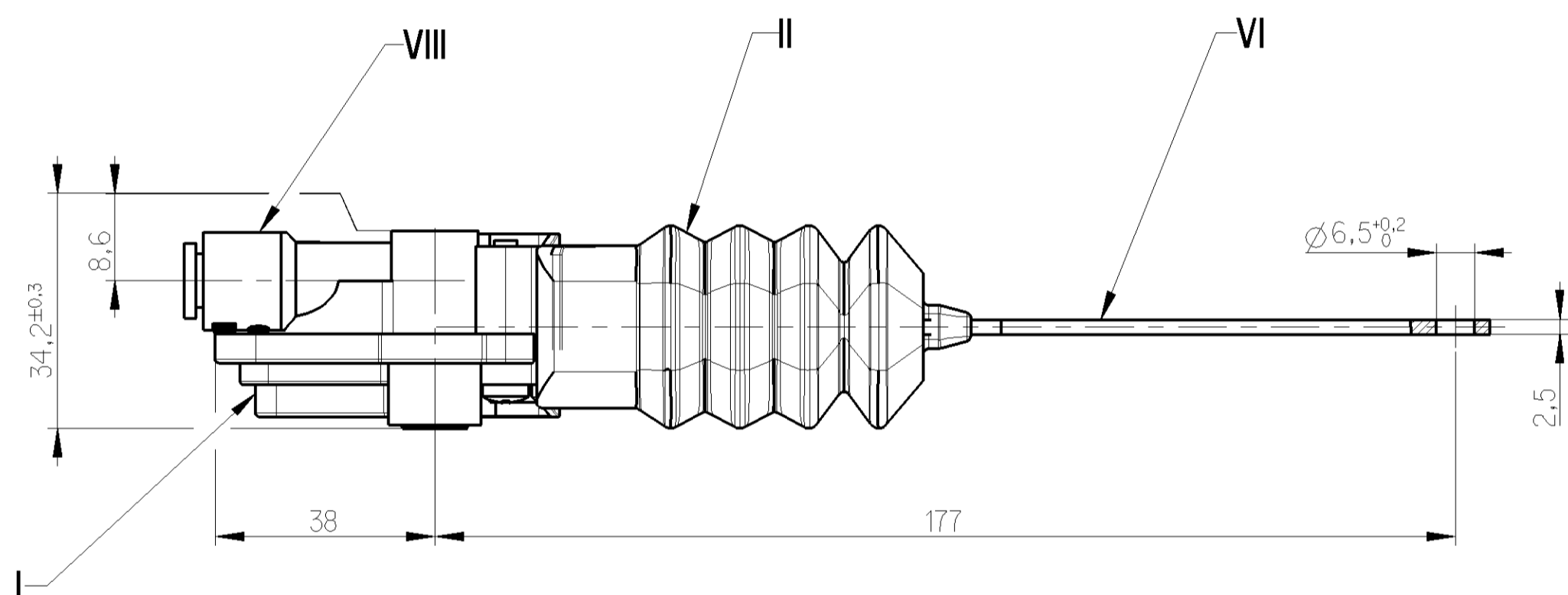
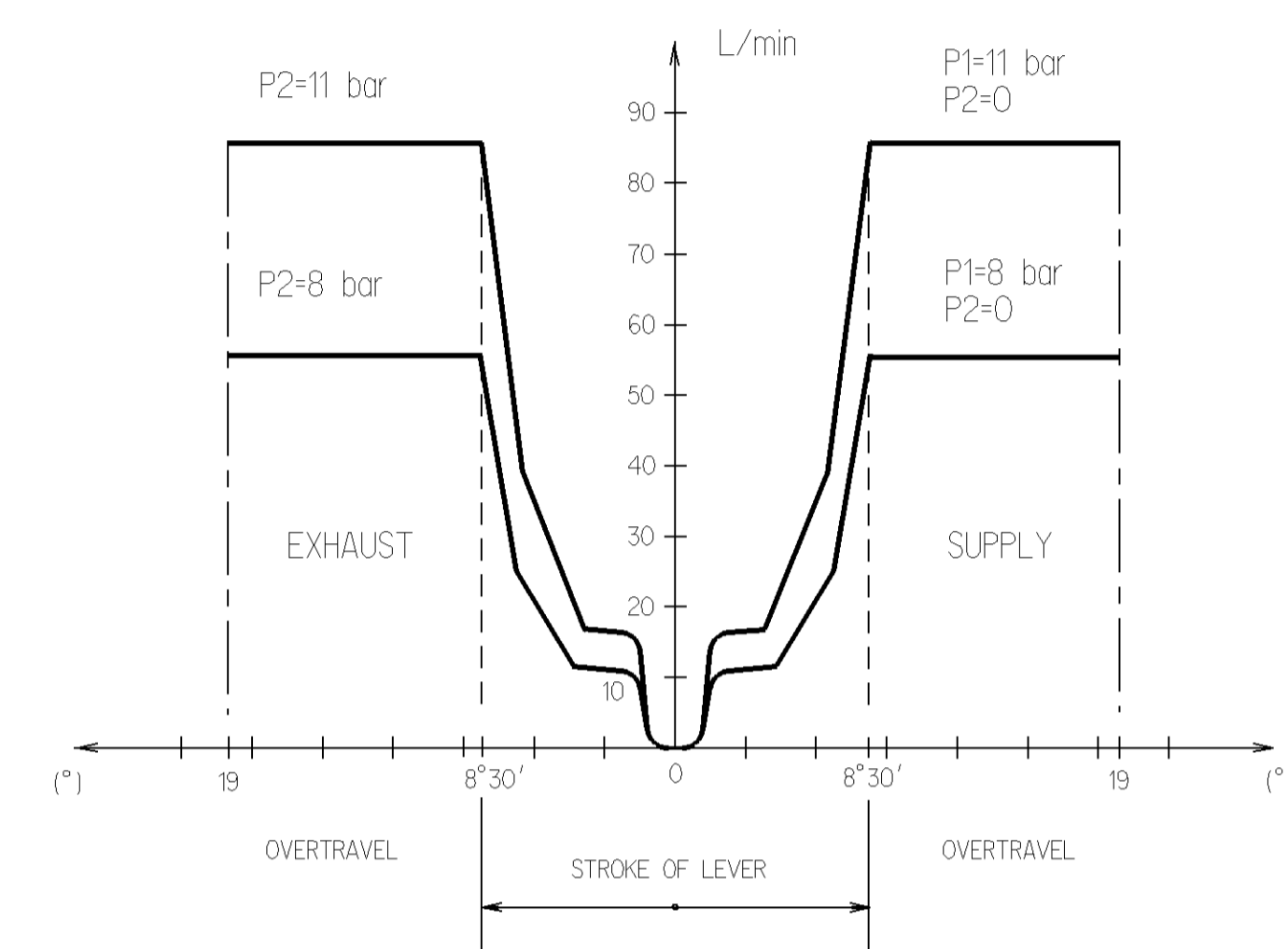


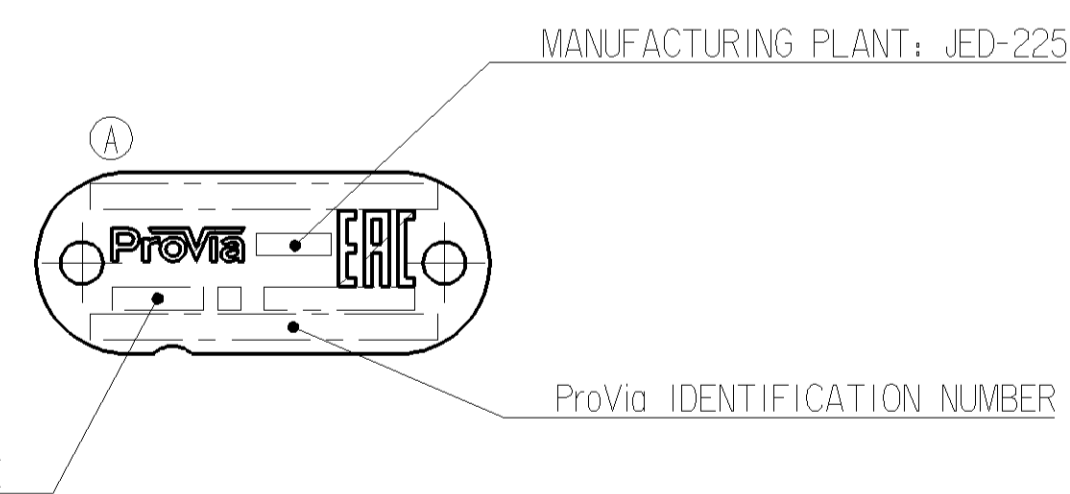
	MATERIAL	SURFACE PROTECTION
I	POM	
II	EPDM	
III	STEEL	Zn
IV	STEEL	Zn
V	PA	
VI	STEEL	Zn
VII	STEEL	Zn
VIII	POM	



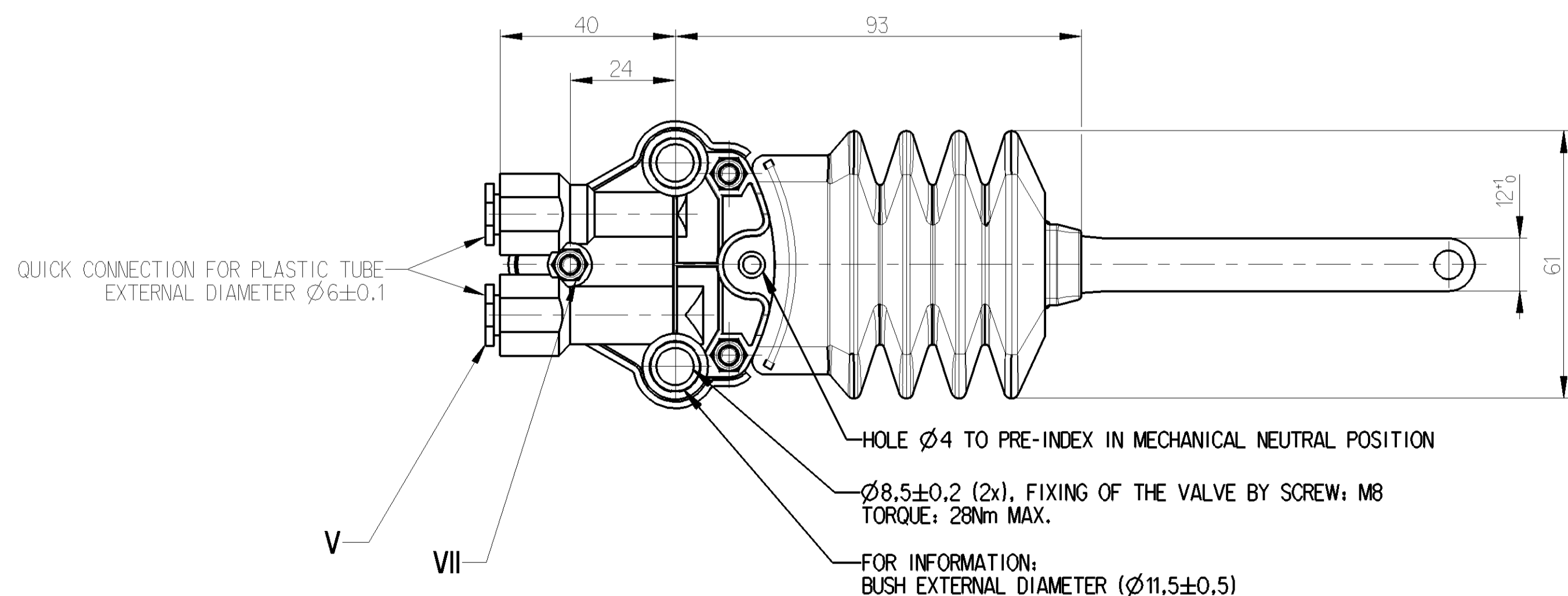
FLOW RATE FOR : P1=8 bar and P1=11 bar



NAME PLATE DETAILS

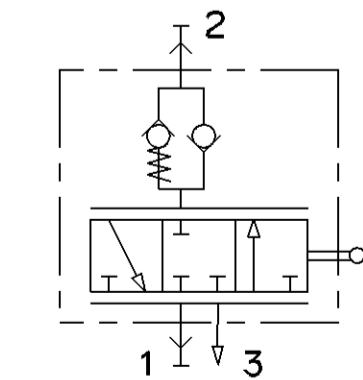


WEEK / YEAR OF MANUFACTURE



1	SUPPLY
2	DELIVERY
THERMAL RANGE	-40°C ... +80°C
WORKING PRESSURE	P1= 11 bar MAX.
EXCEPTIONAL INLET PRESSURE	P1= 14 bar MAX.
RESIDUAL PRESSURE	P2= 0.6±0.3 bar

SYMBOL



General Specification: JED-334-1 - Size ISO 14405 LP		Copyright WABCO®	
Further Technical Data: Product Specification PRO0070010		Date: 2018-09-24	Signature: Scrovanon
Doc. Code: 035		Sheet: 1	To: 5
General Tolerances JED-261		2018-09-24	
Range of Nominal Dimensions l ± mm)		Checked: Valirosu	
Class	1) ≤ 50 > 50 > 180 > 180 ≤ 400 > 400	Expert: THOMAS BILSING	
Fine	0,5 1,0 1,5 2,0	Mass	0,219 kg
Medium	1,0 2,0 3,0 4,0	Scale	1:1 (2:1)
Coarse	2,0 3,5 5,0 6,5	Size	CAD System
Tapped Holes acc.		Material No. PRO 007 023 0	
1) Tolerance Class Applied Crossmarked		ECN-No. 177205	Revision 1
		Tech. Resp. 5642_AM	
		Date of first issue: 2016-12-05	Doc. Code Language Sheet
		005 EN 1/1	
		Replacement for	

Non è permesso copiare o riprodurre questo documento, né utilizzare il contenuto o renderlo comunque noto a terzi senza permesso scritto dalla WABCO. È vietata espressamente la ristampa o l'uso non autorizzato. All rights reserved. No part of this document may be reproduced, stored in a retrieval system, or transmitted in any form or by any means, electronic, mechanical, photocopying, recording, or by any information storage and retrieval system, without the prior written permission of WABCO.