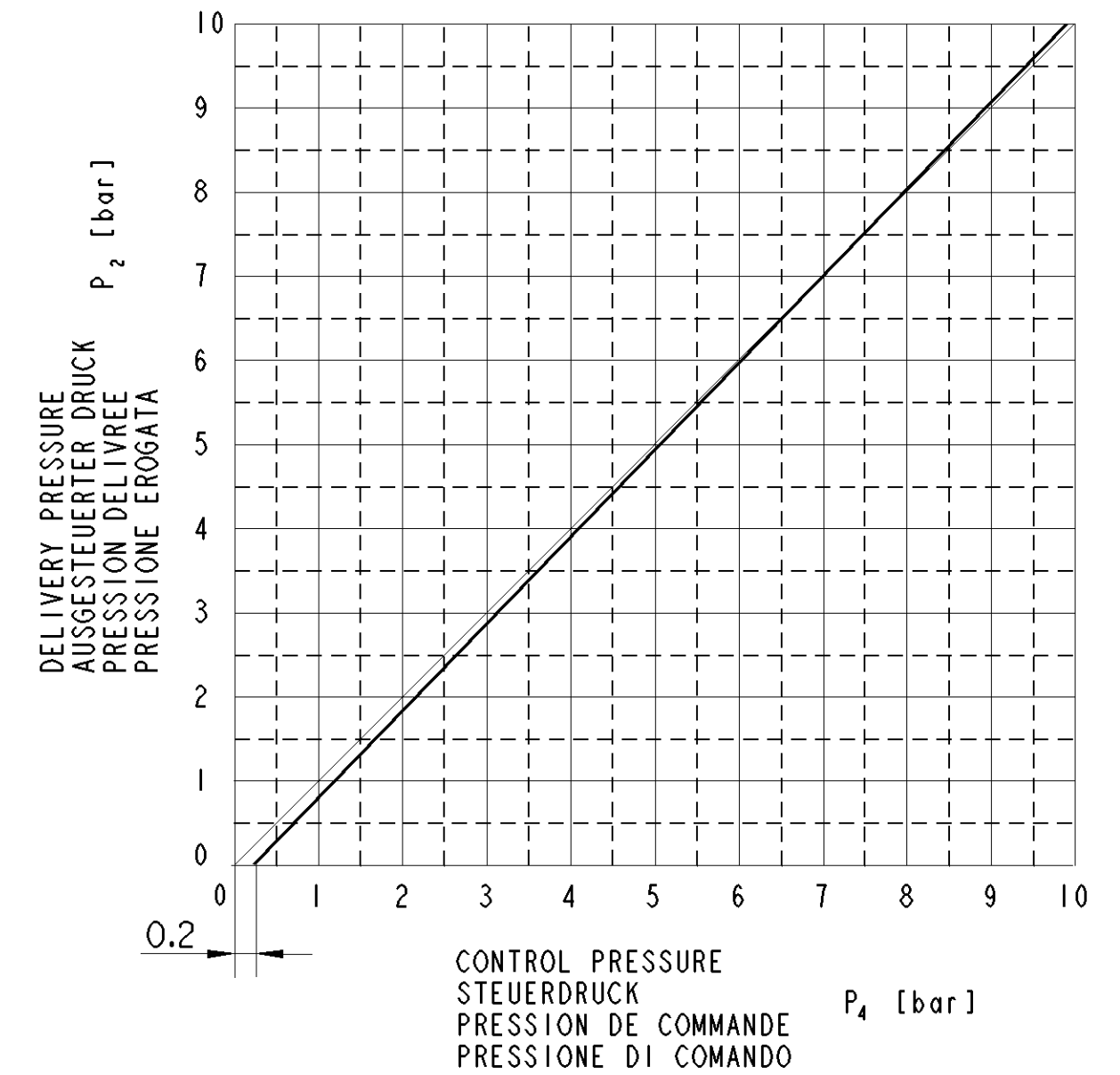
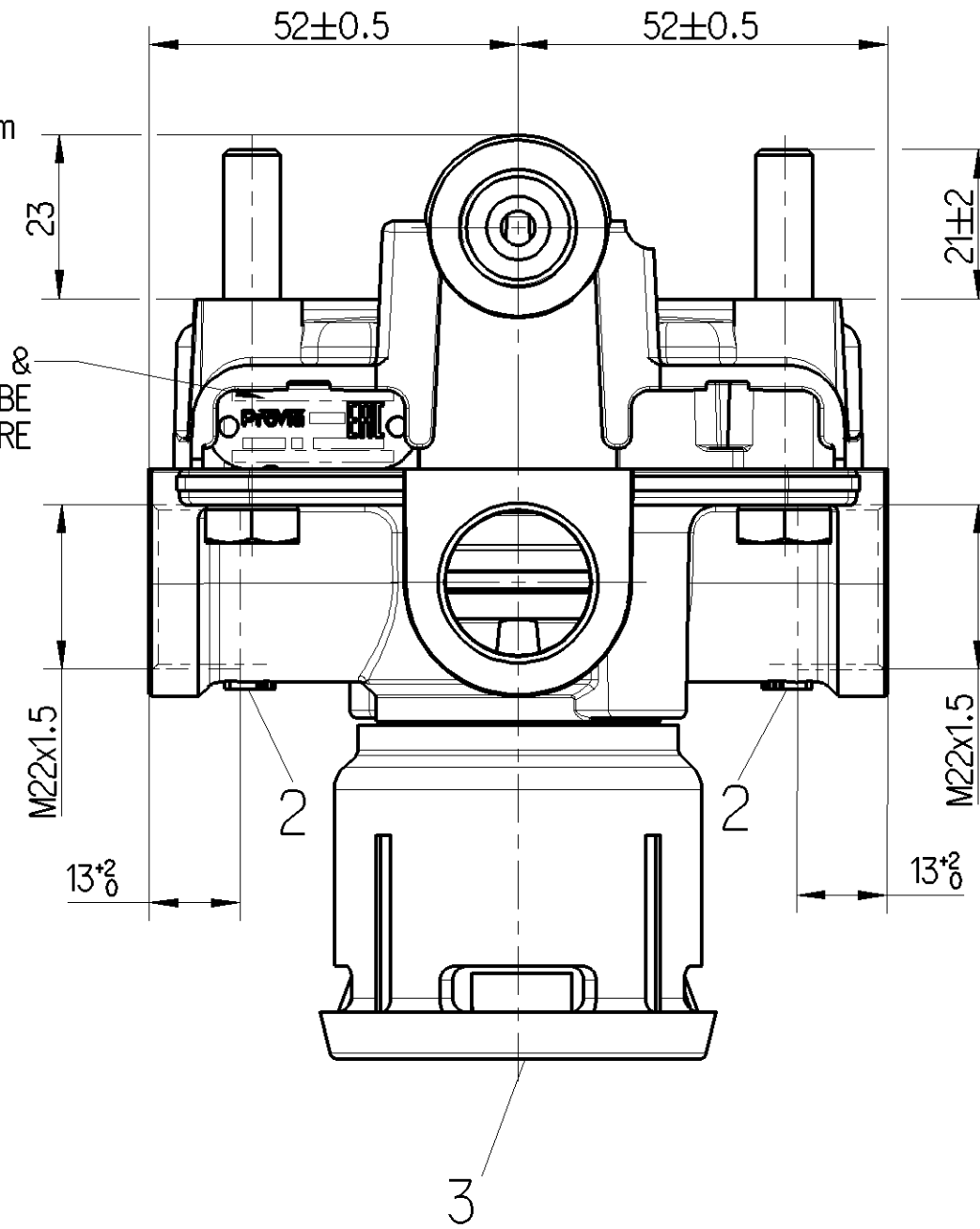


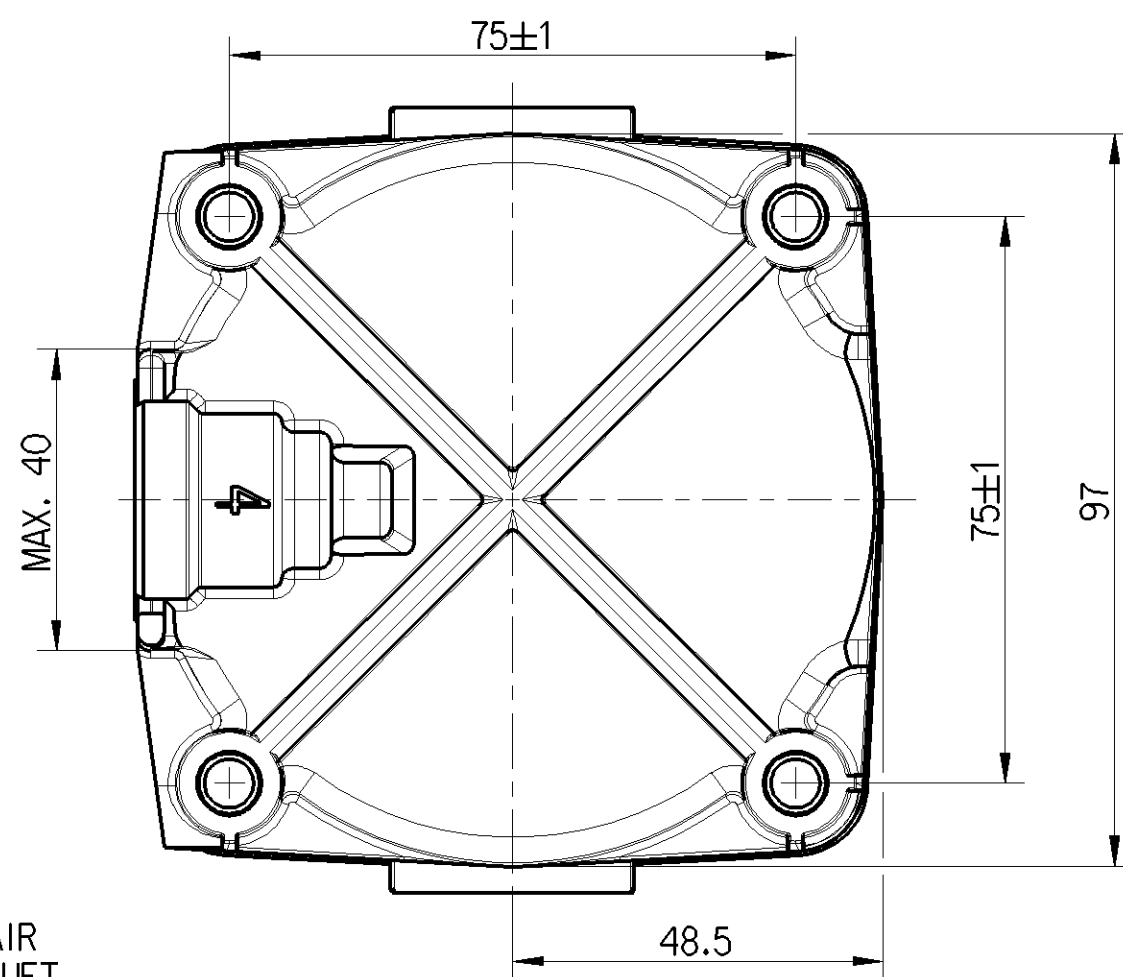
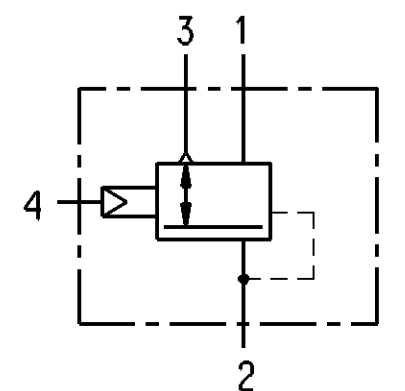
TORQUE:
ANZUGSMOMENT:
COUPLE DE SERRAGE:
COPPIA DI SERRAGGIO:
MAX. M=24Nm

ASSEMBLY PART NUMBERS &
MANUFACTURE DATE TO BE
SHOWN HERE

(A)



- 1 SUPPLY
VORRAT
ALIMENTATION
ALIMENTAZIONE
- 2 DELIVERY PRESSURE
AUSGESTEUERTER DRUCK
PRESSION DELIVREE
PRESSIONE EROGATA
- 3 EXHAUST
ENTLUEFTUNG
ECHAPPEMENT
SCARICO
- 4 CONTROL PRESSURE
STEUERDRUCK
PRESSION DE COMMANDE
PRESSIONE DI COMANDO



MEDIUM : AIR
MEDIUM : LUFT
FLUIDE : AIR
FLUIDO : ARIA

WORKING PRESSURE:
BETRIEBSDRUCK: MAX. $p_e = 10$ bar
PRESSION DE SERVICE:
PRESSIONE D' ESERCIZIO:

THERMAL RANGE OF APPLICATION:
THERMISCHER ANWENDBEREICH: -40° . . . +80° C
GAMME D' APPLICATION THERMIQUE:
CAMPO DI APPLICAZIONE TERMICA:

TORQUE FOR CONNECTIONS:
ANZUGSMOMENT FUER EINSCHRAUBSTUTZEN: M16x1.5 : M max. = 34 Nm
COUPLE DE SERRAGE DES RACCORDS: M22x1.5 : M max. = 53 Nm
COPPIA DI SERRAGGIO DEI RACCORDI:

TEMPORARILY:
KURZZEITIG: MAX. $p_e = 13$ bar
DE COURTE DUREE:
BREVE TEMPO SOLO:

SUPPLY PRESSURE:
VORRATSDRUCK: MAX. $p_e = 13$ bar
PRESSION D' ALIMENTATION:
PRESSIONE DI ALIMENTAZIONE:

PERMISSIBLE INSTALLATION:
ZULAESSIGE EINBAULAGE: ± 90°
POSITION D' INSTALLATION ADMISE:
POSIZIONE DI MONTAGGIO AMMESSA:

General Specification: JED-334-1, Size ISO 14405 LP		Copyright WABCO®		ProVia	
Further Technical Data: PRO 011 004 0		Date	Signature	RELAY VALVE RELAISVENTIL	
Doc. Code: 035	Sheet: 1 To 10	2018-09-24	MALLARASU M.P.	VALVE RELAIS VALVOLA RELE	
General Tolerances JED-261		Checked		Expert	
Range of Nominal Dimensions (± mm)		2018-09-24		K P.NAGARAJAN	
Class	1) ≤ 50 > 50 ≤ 180 > 180 ≤ 400 > 400	Material No.		Date of first issue: 2016-05-24	
Fine	0.5 1.0 1.5 2.0	0.62	1:1	Doc.Code Language Sheet	
Medium	1.0 2.0 3.0 4.0	kg	CREO	PRO 011 009 0	
Coarse	2.0 3.5 5.0 6.5	Size	CAD System	005 ML 1/1	
Tapped Holes acc. JED-152		ECN-No.	Revision	Techn. Resp.	
1) Tolerance Class Applied Crossmarked		177205	1	A 5220_AM	
		Replacement for			

Non e permesso copiare, o terzi o riprodurre questo documento, ne utilizzare il contenuto o renderlo comunque noto a terzi senza autorizzazione esplicita. Ogni infrazione costituisce un evidente abuso e comportera il risarcimento dei danni subiti. E' fatta riserva di tutti i diritti derivanti da brevetti o modelli.

Toute communication ou reproduction de ce document, toute exploitation ou communication de son contenu sont interdites, sauf autorisation expresse. Tout manquement a cette regle constitue un abus evident et expose son auteur au versement de dommages et interets. Tous droits de propriete industrielle reserves, notamment en matiere de brevets et de modesles.

Coping of this document and giving it to others and the use or communication of the contents thereof, are forbidden without express authority. Contrivention of this restriction will constitute an evident abuse and result in a liability to the payment of damages. All rights are reserved in the event of the grant of patent or registration of a utility model or design. This document is the subject of copyright.

Weitergabe sowie Vervielfältigung dieses Urteils, Verbreiten und Mitteilung desselben ist nicht gestattet, soweit nicht ausdrücklich ansonsten, zweiermaßen, stellen eine offensichtliche Missbrauch dar und verpflichten zu Schadenersatz. Alle Rechte hier den Fall der Patentierung oder Gebrauchsmuster-Eintragung vorbehalten.