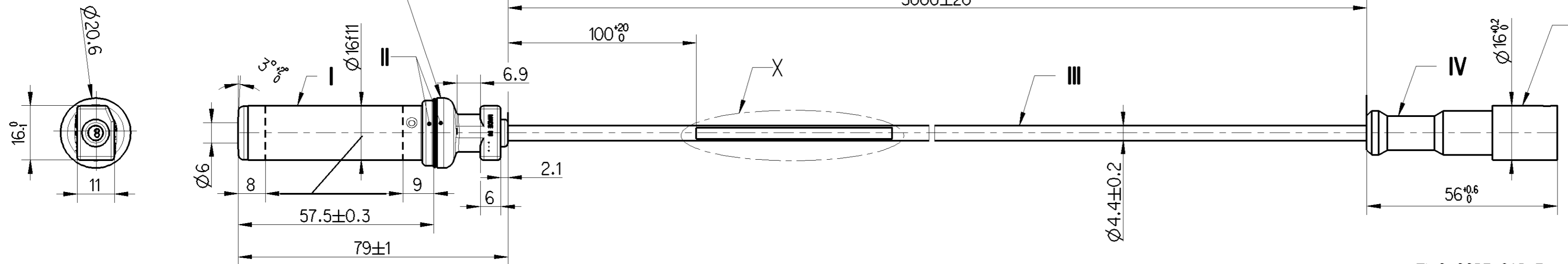


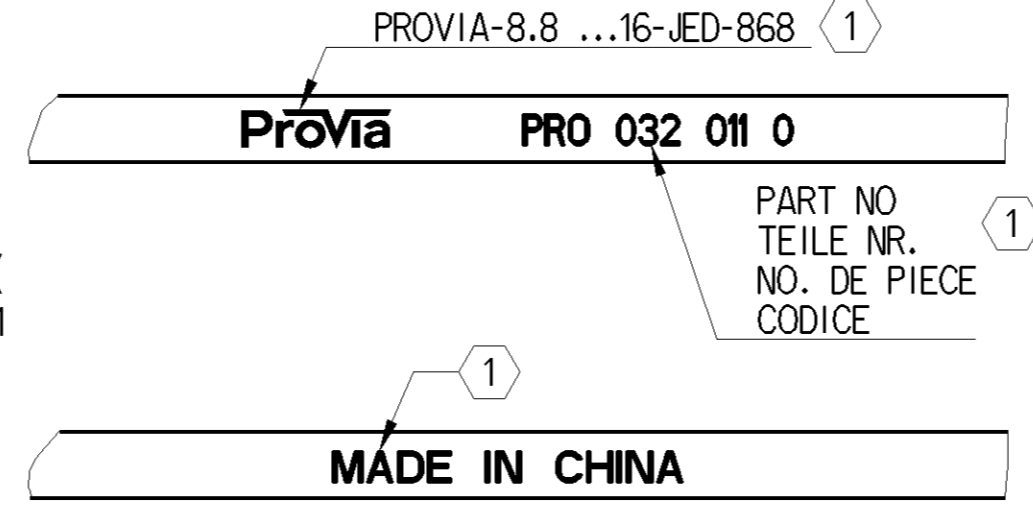
DATE OF MANUFACTURE  
HERSTELLDATUM + HT  
DATE DE FABRICATION  
DATA DI FABBRICAZIONE

COLOUR  
FARBE } BLACK  
COULEUR } SCHWARZ  
COLORE } NOIR  
NERO



THERMAL RANGE OF APPLICATION  
THERMISCHER ANWENDBEREICH  
GAMME D'APPLICATION THERMIQUE  
CAMPO TERMICO D'APPLICAZIONE

- I -40 °C...+200 °C [1000h]  
+210 °C [1h]
- II -40 °C...+160 °C  
+180 °C [1h]
- III -40 °C...+120 °C  
+150 °C [1h]
- IV -40 °C...+80 °C



TWO CORE CABLE  
LEITUNG ZWEIADRIG  
CABLE A DEUX CONDUCTEURS  
CAVO A DUE CONDUTTORI } THERMORAD  
2x0.5mm<sup>2</sup>  
ASC 77799

LENGTH OF LAY  
SCHLAGLAENGE  
PAS D'ASSEMBLAGE  
PASSO DI RIUNIONE } 45mm

STRAIN RELIEF CABLE  
ZUGENTLASTUNG KABEL  
ARRET DE CABLE  
SCARICO DI TRAZIONE DEL CAVO } MAX.50N ∓20°C

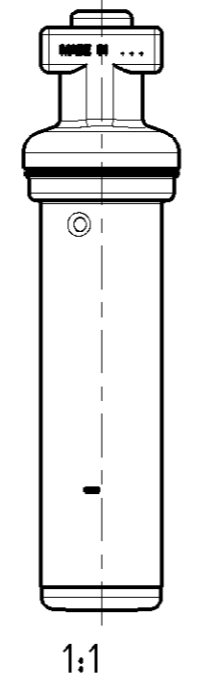
BEND RADIUS CABLE  
BIEGERADIUS KABEL  
RAYON DE COURBURE DE CABLE  
RAGGIO DI CURVATURA DEL CAVO } R 15 MIN, ∓90°

1 ABRASION RESISTANT PRINT  
ABRIEBFESTER AUFDRIUCK  
IMPRESSION RESISTANTE A L' ABRASION  
IMPRONTA RESISTENTE ALL' ABRASIONE } RAL 9001

FURTHER TECHNICAL DATA SEE PRODUCT SPECIFICATION  
WEITERE TECHNISCHE DATEN SIEHE PRODUKT SPEZIFIKATION  
AUTRES DONNEES TECHNIQUES VOIR PRODUCT SPECIFICATION  
ULTERIORI DATI TECNICI VEDERE SPECIFICA DI PRODOTTO } PRO 032 009 0

INSTRUCTIONS OF INSTALLATION SEE ADAPTATION SPECIFICATION  
EINBAUHINWEISE SIEHE ADAPTION-SPEZIFIKATION  
INSTRUCTIONS D'INSTALLATION VOIR SPECIFICATION D'ADAPTION  
ISIRUZIONI D'INSTALLAZIONE VEDERE SPECIFICA D'ADATTAMENTO } 341 032 000 0

DEGREE OF PROTECTION (IN CONNECTION WITH PLUG)  
SCHUTZART (IN VERBINDUNG MIT KUPPLUNGSSTECKER)  
DEGRE DE PROTECTION (DANS CONNECTION AVEC CONNECTEUR MALE)  
GRADO DI PROTEZIONE (IN COLLAGAMENTO CON SPINOTTO) } IP 6K9K  
ISO 20653



<1> SAFETY CHARACTERISTICS	0
<2> SIGNIFICANT CHARACTERISTICS	0

General Specification: JED-334-1, Size ISO 14405 LP		Copyright WABCO®		<b>ProVia</b>	
Further Technical Data: PRO 032 009 0		Date	Signature	INDUCTIVE SENSOR WITH SOCKET	
Doc. Code: 035	Sheet: 1 To 4	2016-09-07	Richardalexander	STABSENSOR MIT KUPPLUNGSDOSE	
General Tolerances JED-261		2016-09-08	Aswinkumar	CAPTEUR AVEC CONNECTEUR FEMELLE	
Range of Nominal Dimensions ( ± mm )		Expert		SENSORE INDUTTIVO CON CONNETTORE	
Class 1)	≤ 50 > 50 ≤ 180 > 180 ≤ 400 > 400	K P NAGARAJAN		Material No.	
Fine	0.5 1.0 1.5 2.0	Mass	Scale	Date of first issue: 2016-09-08	
Medium	1.0 2.0 3.0 4.0	0.121	1:1	Doc. Code Language Sheet	
Coarse	2.0 3.5 5.0 6.5	kg	(2:1)	PRO 032 011 0 005 ML 1/1	
Tapped Holes acc.		Size	CAD System	ECN-No. Revision Techn. Resp. Replacement for	
1) Tolerance Class Applied Crossmarked		A 2	CREO	- - - 6310_AM -	

Non e' permesso copiare, o terzi o riprodurre questo documento, ne utilizzare il contenuto o renderlo comunque noto a terzi senza autorizzazione esplicita. Ogni infrazione costituisce un evidente abuso e comportera il risarcimento dei danni subiti. E' fatta riserva di tutti i diritti derivanti da brevetti o modelli.  
 Coping of this document and giving it to others and the use or communication of the contents thereof, are forbidden without express authority. Contravention of this restriction will constitute an evident abuse and result in a liability to the payment of damages. All rights are reserved in the event of the grant of patent or registration of a utility model or design. This document is the subject of copyright.  
 Toute communication ou reproduction de ce document, toute exploitation ou communication de son contenu sont interdites, sauf autorisation expresse. Tout manquement a cette regle constitue un abus evident et expose son auteur au versement de dommages et interets. Tous droits de proprie'te industrielle reserves, notamment en matiere de brevets et de modeles.  
 Weitergabe sowie Vervielfaeltigung dieser Unterlagen, Verwertung und Mitteilung ihres Inhalts nicht gestattet, soweit nicht ausdruecklich anders besprochen. Zuwiderhandlungen stellen einen offensichtlichen Missbrauch dar und verpflichten zur Schadenersatz. Alle Rechte fuer den Fall der Patentierung oder Gebrauchsmuster-Eintragung vorbehalten.