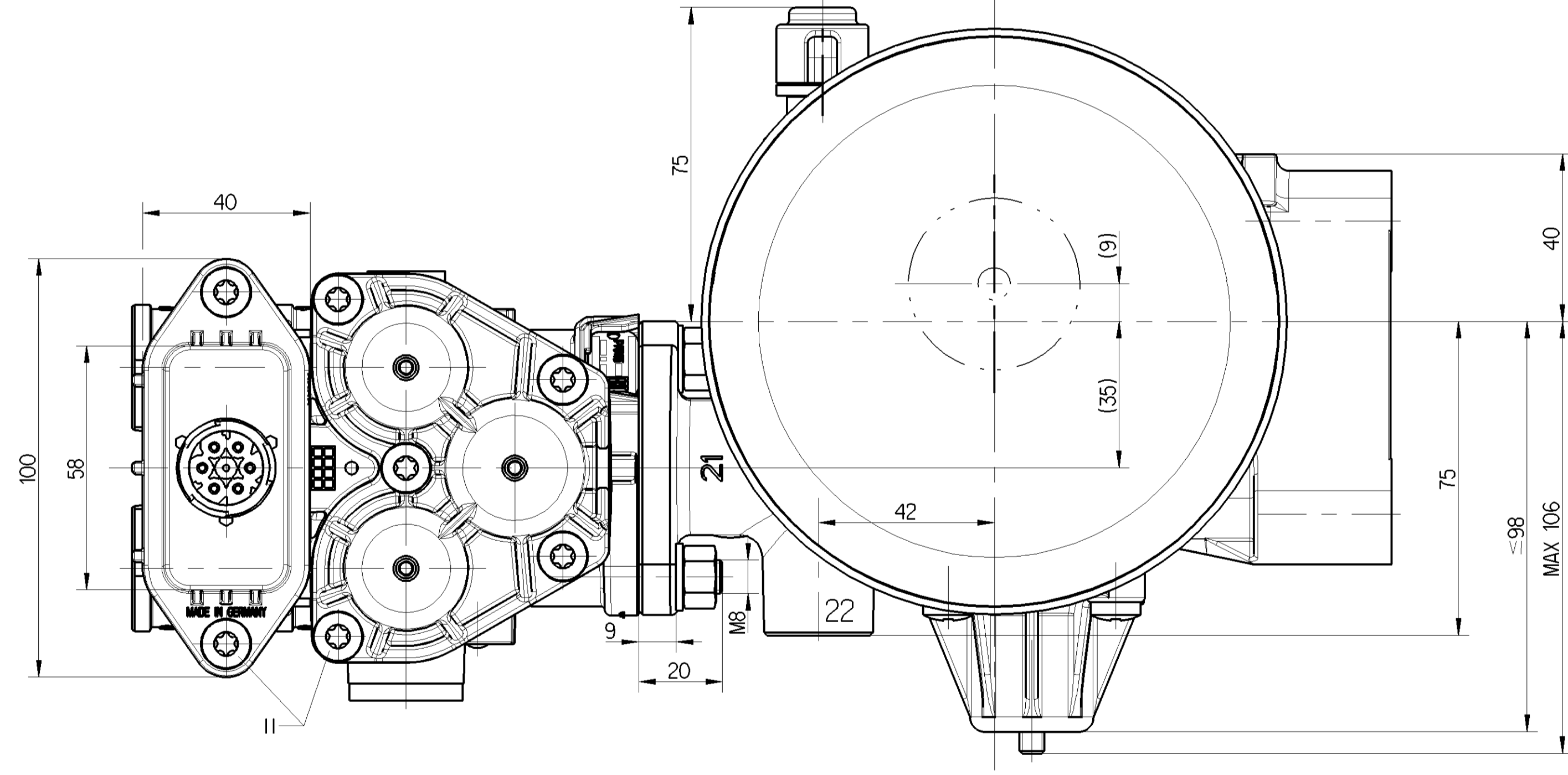
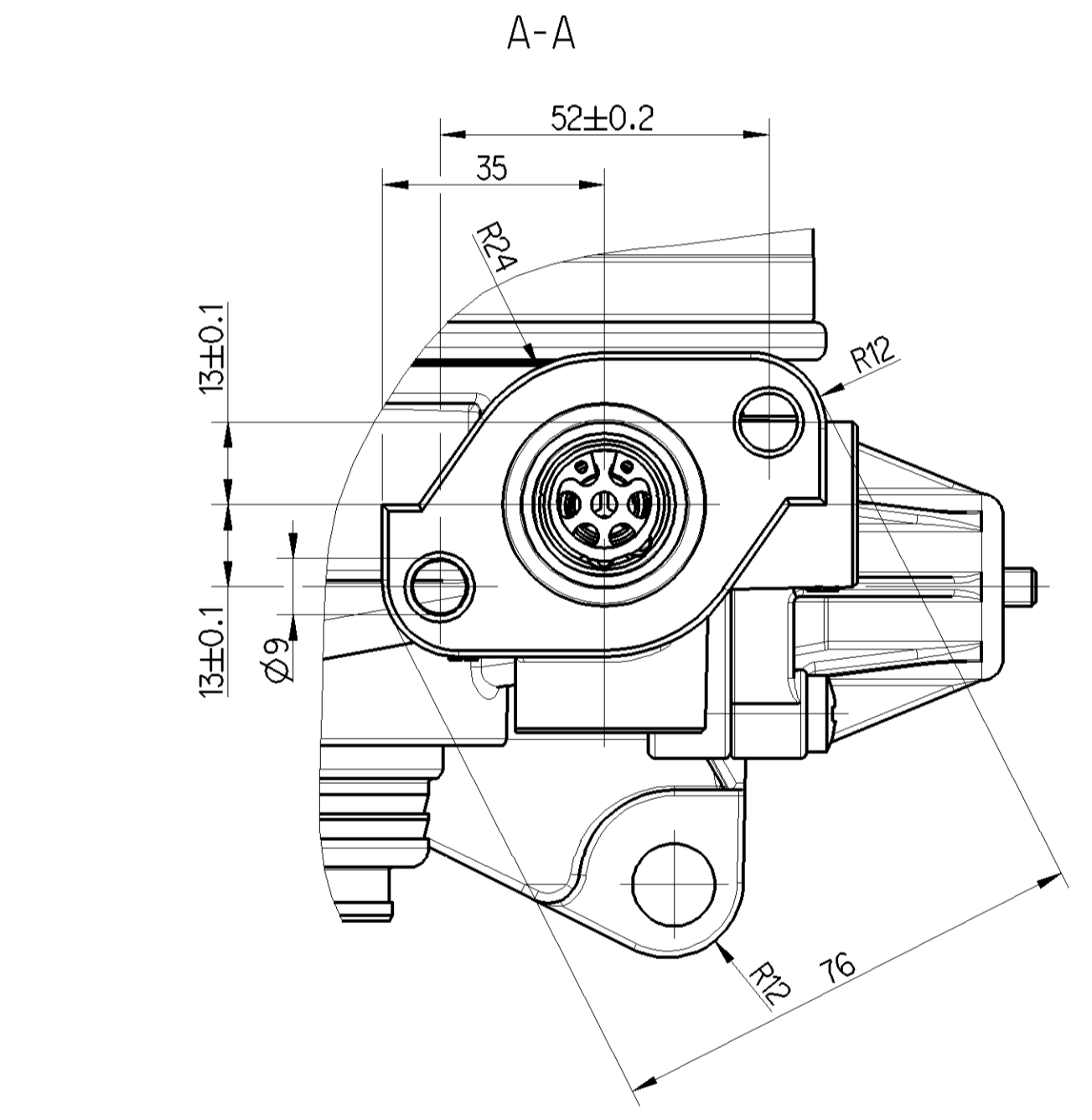
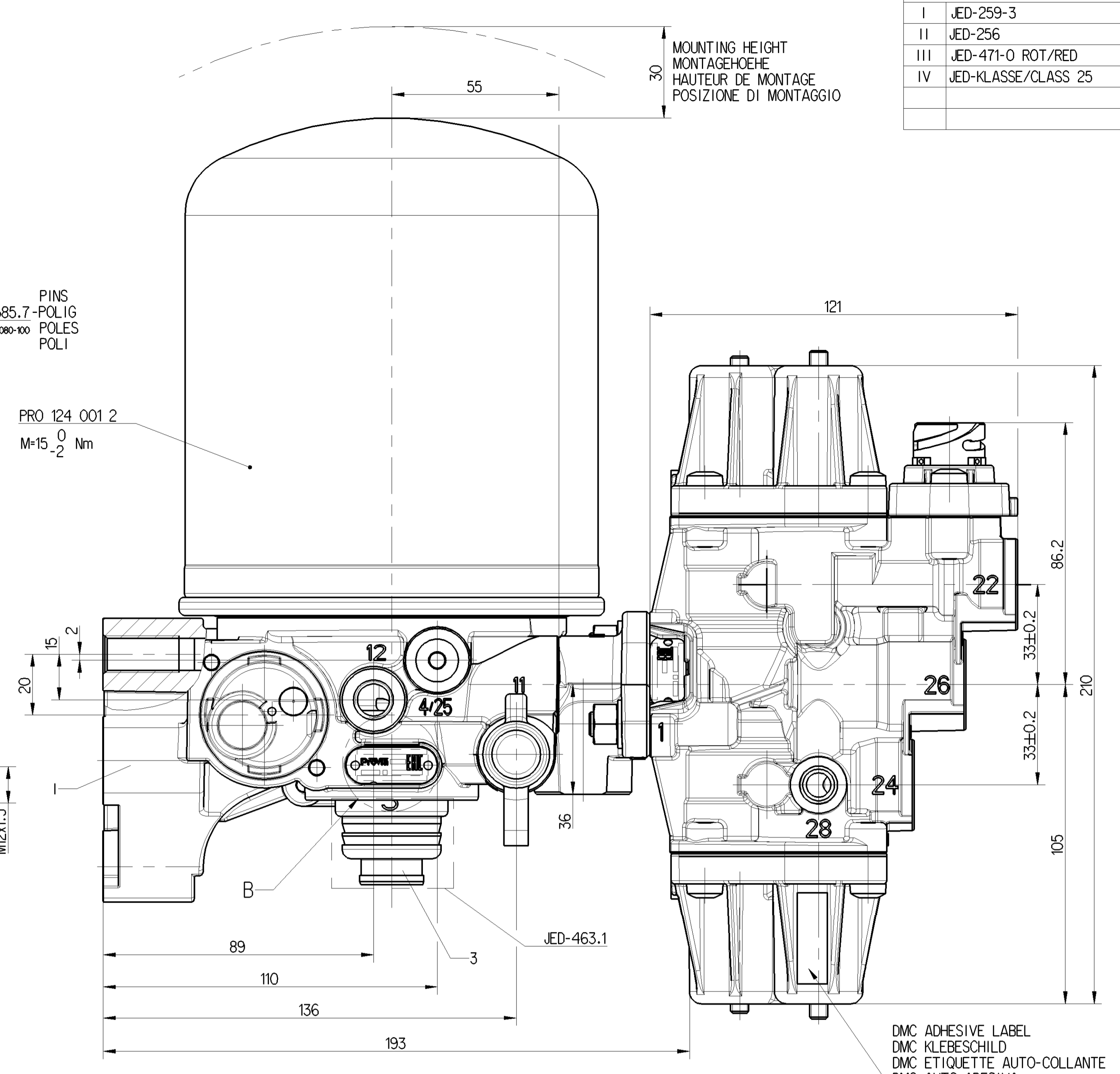
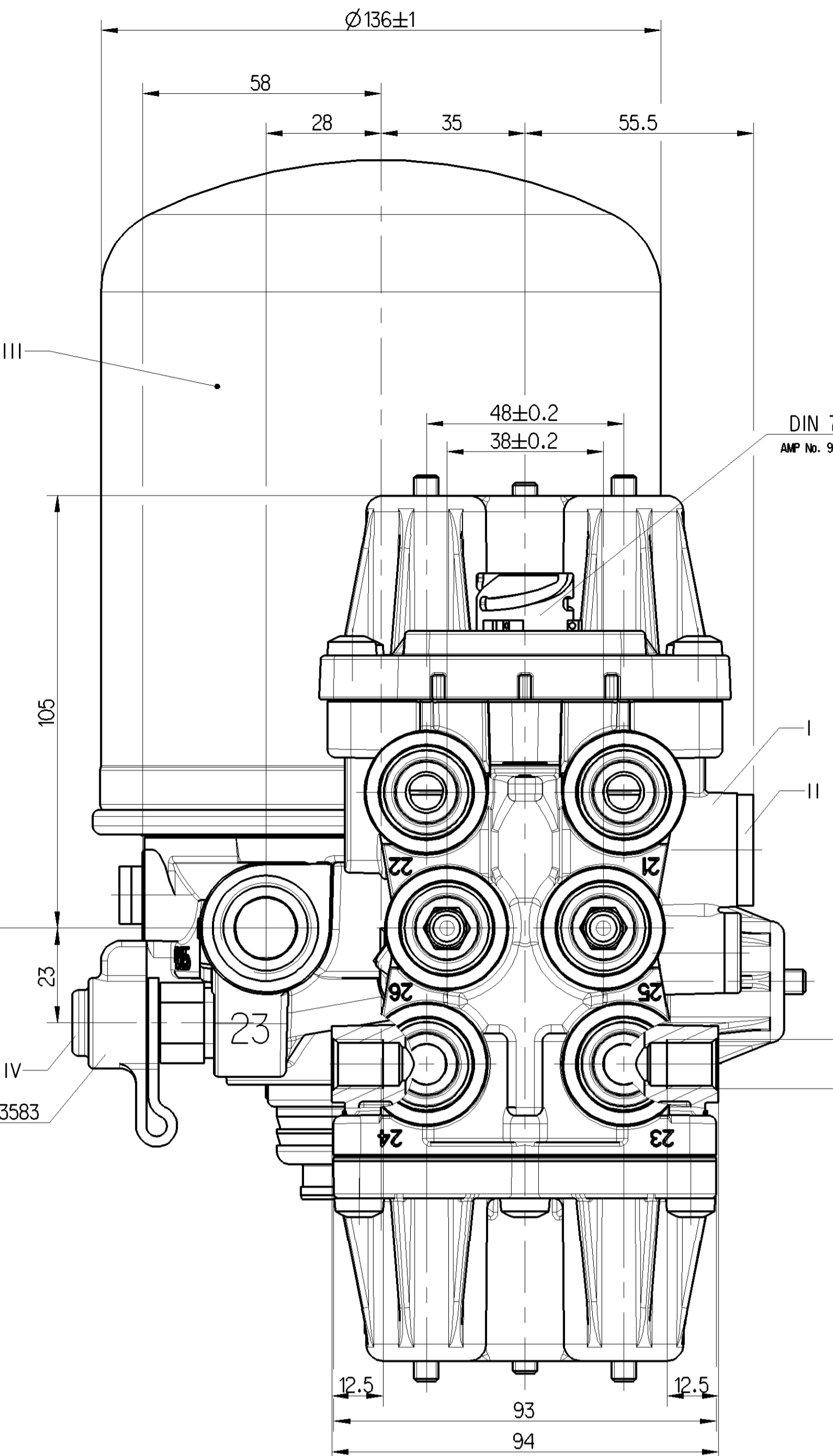
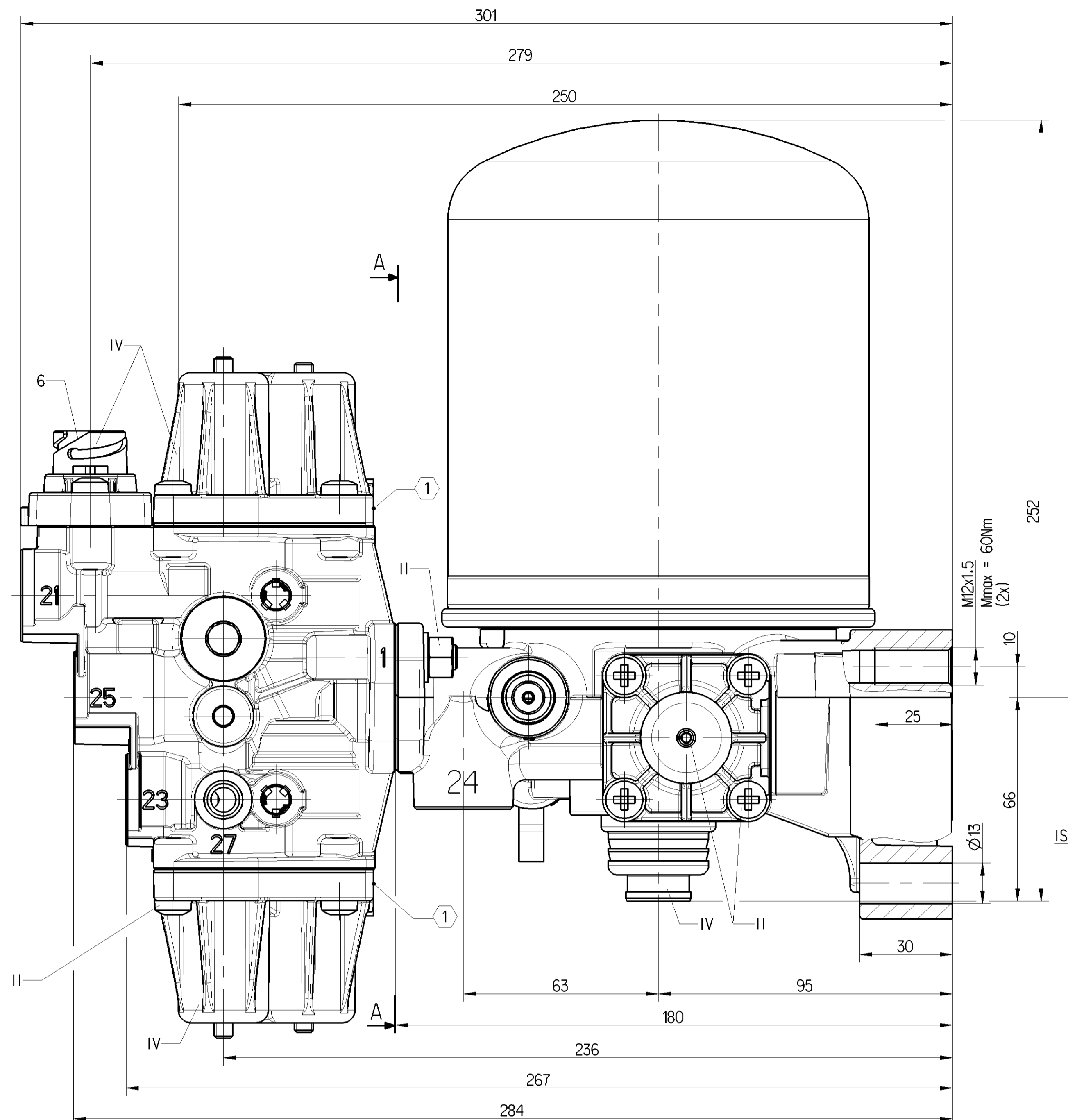
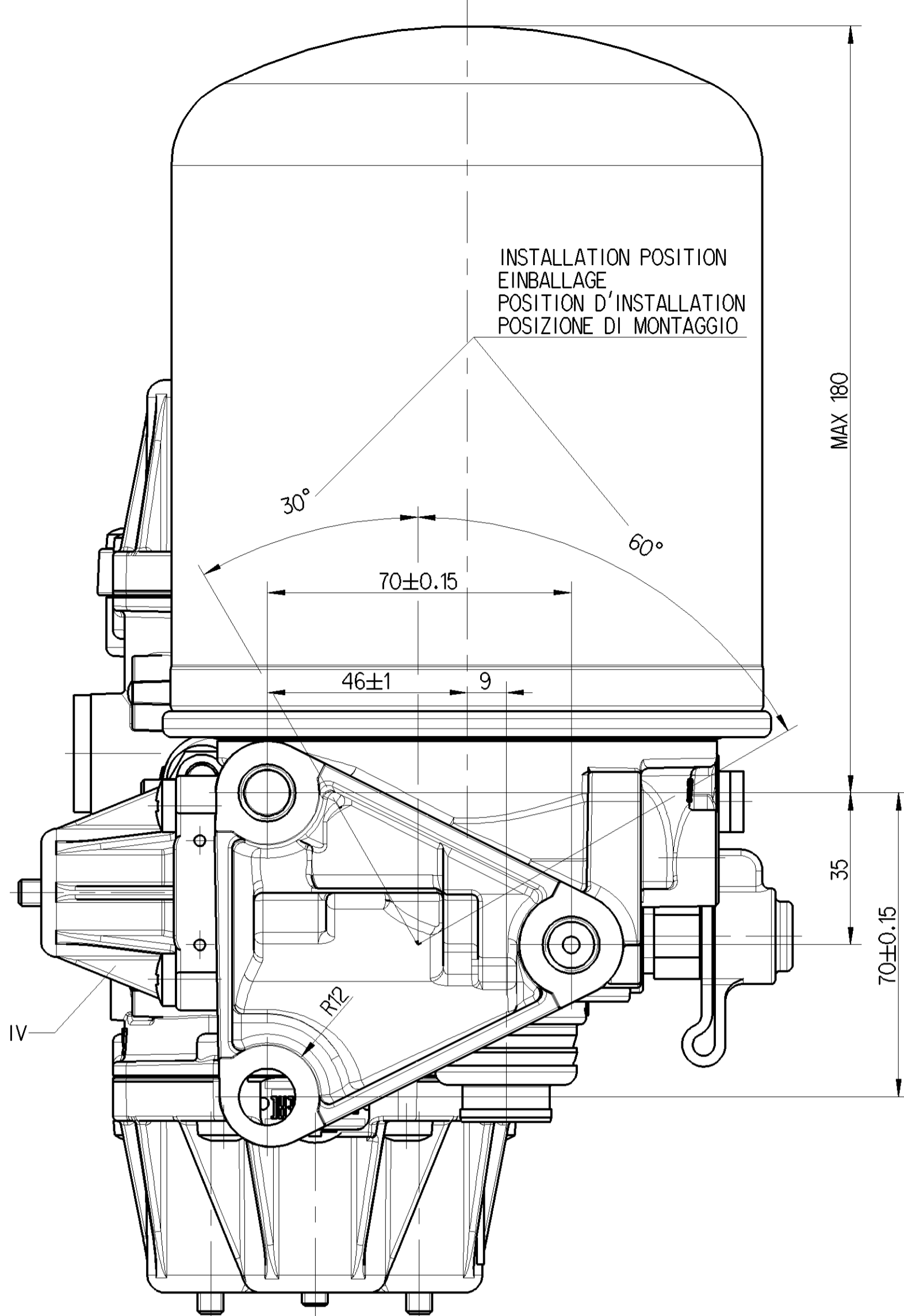


EXTERNAL SURFACE
AUSSERE OBERFLAECHE
SURFACE EXTERIEURE
SUPERFICIE ESTERNA

I	JED-259-3
II	JED-256
III	JED-471-0 ROT/RED
IV	JED-KLASSE/CLASS 25

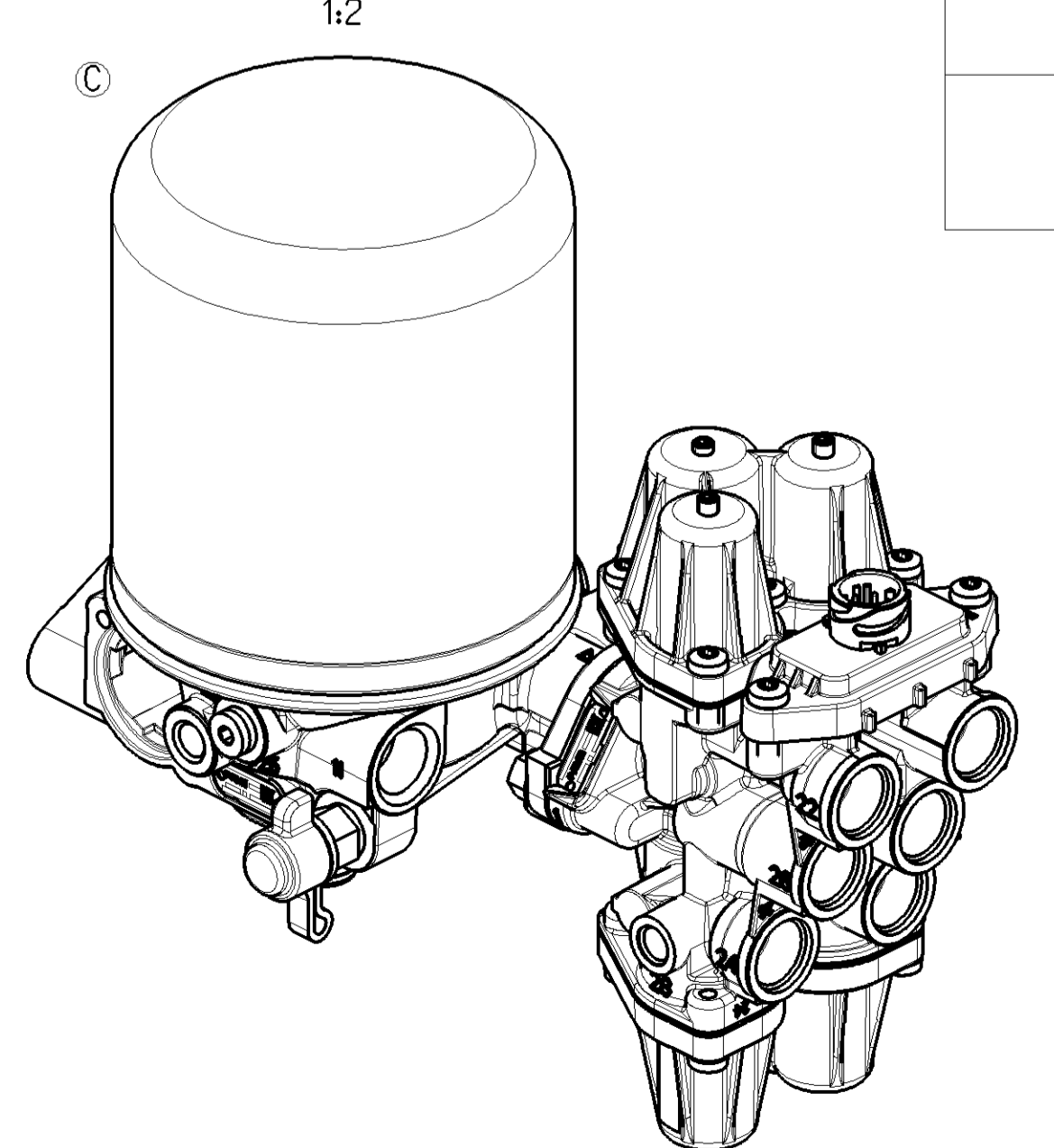
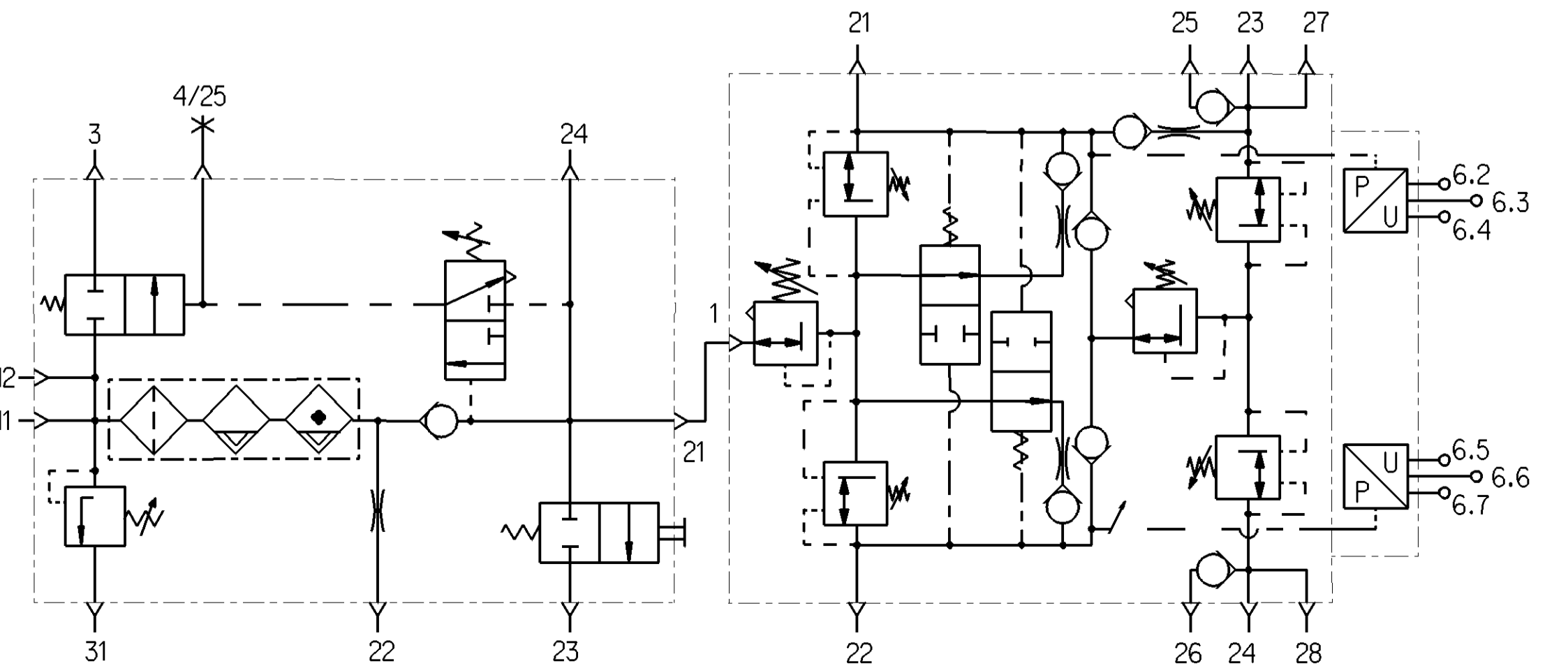


DATE OF MANUFACTURE
HERSTELLDATUM
DATE DE FABRICATION
DATA DI FABBRICAZIONE

IDENTIFICATION NUMBER
IDENTIFIZIERUNGS-NUMMER
NUMERO D'IDENTIFICATION
NUMERO D'IDENTIFICAZIONE

MANUFACTURING PLANT
PRODUKTIONSSTAETTE
LIEU DE FABRICATION
LOGO DI FABBRICAZIONE

AIR DRYER LUFTTROCKNER DESSICATEUR ESSICCATORE	PRO 400 001 0
FOUR CIRCUIT PROTECTION VALVE VIERTREIS-SCHUTZVENTIL VALVE DE PROTECTION (A 4 CIRCUITS) VALVOA DI PROTEZIONE (A 4 CIRC.)	PRO 934 005 0
PRESSURE SENSOR UNIT DRUCKSENSOR-EINHEIT UNITE DE APTEUR DE PRESSION UNITA DI SENSORE DI PRESSIONE	332 500 501 1



PORT ANSCHLUSS ORIFIZIO	FUNCTION FUNCTION FUNZIONE	THREAD GEWINDE FILETTATURA	PORT ANSCHLUSS ORIFIZIO	FUNCTION FUNCTION FUNZIONE	THREAD GEWINDE FILETTATURA	CIRCUIT KREIS CIRCUITO
11	FROM THE COMPRESSOR VOM KOMPRESSOR PROVENANT DU COMPRESSEUR PROVENIENTE DEL COMPRESSORE	M22x1.5 JED-152	1	FROM AIR DRYER VOM LUFTTROCKNER DE DESSICATEUR D'AIR ESSICCATORE D'ARIA	M22x1.5 JED-388	
12	EXTERNAL FILLING FREMDEBEFUELLUNG ALIMENTATION DE L'EXTERIEUR ALIMENTAZIONE SEPARATA	M12x1.5 JED-152	21	SERVICE BRAKE BETRIEBSBREMSE FREINAGE FRENATURA	M22x1.5 JED-388	1
21	TO PROTECTION VALVE ZUM SCHUTZVENTIL AU VALVE DE PROTECTION A VALVOA DI PROTEZIONE	M22x1.5 JED-152	22	SERVICE BRAKE BETRIEBSBREMSE FREINAGE FRENATURA	M22x1.5 JED-388	2
22	TO RESERVOIR FOR REGENERATION AIR ZUM REGENERATIONS-LUFTBEHALTER AU RESERVOIR D'AIR DE REGENERATION AL SERBATOIO PER L'ARIA RIGENERATA	M16x1.5 JED-388	23	TRAILER BRAKING SYSTEM ANHÄNGER BREMSANLAGE SYSTEME DE FREINAGE DE LA REMORQUE FRENATURA DEL RIMORCHIO	M22x1.5 JED-388	3
23	TIRE INFLATION DEVICE REIFENFUELLANLAGEN PRISE POUR GONFLAGE PNEU. PRESA PER GONFIAGGIO PNEUM.	M12x1.5 thread length: 8 mm	25	PARKING BRAKING SYSTEM FESTSTELLBREMSANLAGE DISPOSITIF DE FREINAGE DE STATIONNEMENT DISPOSITIVO DI FRENATURA DI STAZIONAMENTO	M22x1.5 JED-388	3
24	TO AIR SUSPENSION RESERVOIR ZUM LUFTFEDERBEHALTER AU RESERVOIR DE LA SUSPENSION PNEUMATIQUE A SERBATOIO DELLA SOSPENSIONE PNEUMATICA	M22x1.5 JED-388	27	PRESSURE SWITCH DRUCKSCHALTER INTERRUPTEUR DE PRESSION INTERRUTTORE A PRESSIONE	M12x1.5 JED-152	3
4/25	CONTROL PORT/DELIVERY OF ENERGY TO COMPRESSOR CONTROL STEUERANSCHLUSS/ENERGIEABFLUSS ZUR KOMPRESSOR STEUERUNG ORIFICE DE COMMANDE/ALIMENTATION EN ENERGIE DE LA COMMANDE DE COMPRESSEUR ORIFIZIO DI COMANDO/MANDATA AL COMANDO DEL COMPRESSORE	M10x1 JED-388 (PLUGGED)	24	AUXILIARIES HILFSMITTEL AUXILIAIRES AUSILIARI	M22x1.5 JED-388	4
3	EXHAUST FOR COMPRESSOR IDLING ENTLUFTUNG BEI KOMPRESSOR-LEERLAUF ECHAPPEMENT POUR MARCHÉ A VIDE DU COMPRESSEUR SCARICO PER MARCIA A FOLLE DEL COMPRESSORE		26	OPERATION OF CLUTCH/GEARBOX BETÄTIGUNG VON KUPPLUNG/GETRIEBE ACTIONNEMENT D'EMBRAYAGE/BOITE VITESSES AZIONAMENTO FRIZIONE/CAMBIO	M22x1.5 JED-388	4
			28	PRESSURE SWITCH DRUCKSCHALTER INTERRUPTEUR DE PRESSION INTERRUTTORE A PRESSIONE	M12x1.5 JED-152	4
			6	PRESSURE SENSOR DRUCKSENSOR CAPTEUR DE PRESSION SENSORE DI PRESSIONE		1/2

① Free from paint
Farbfrei
Exempte de peinture
Non verniciare

General Specifications: JED-534-1, Size ISO 14400 LP	Design: 48002	Prövia
Further Technical Data:	Date: 2018-10-04	Kolkowski
Doc. Code: 2018-10-05	Sheet: 1 of 1	Mazurkiewicz
Class: 1, 2, 3, 4, 5, 6, 7, 8, 9, 10, 11, 12, 13, 14, 15, 16, 17, 18, 19, 20, 21, 22, 23, 24, 25, 26, 27, 28, 29, 30, 31, 32, 33, 34, 35, 36, 37, 38, 39, 40, 41, 42, 43, 44, 45, 46, 47, 48, 49, 50, 51, 52, 53, 54, 55, 56, 57, 58, 59, 60, 61, 62, 63, 64, 65, 66, 67, 68, 69, 70, 71, 72, 73, 74, 75, 76, 77, 78, 79, 80, 81, 82, 83, 84, 85, 86, 87, 88, 89, 90, 91, 92, 93, 94, 95, 96, 97, 98, 99, 100	Material: 5.9	PRO 100 100 0
Material: 1.0, 2.0, 3.0, 4.0, 5.0, 6.0, 7.0, 8.0, 9.0, 10.0, 11.0, 12.0, 13.0, 14.0, 15.0, 16.0, 17.0, 18.0, 19.0, 20.0, 21.0, 22.0, 23.0, 24.0, 25.0, 26.0, 27.0, 28.0, 29.0, 30.0, 31.0, 32.0, 33.0, 34.0, 35.0, 36.0, 37.0, 38.0, 39.0, 40.0, 41.0, 42.0, 43.0, 44.0, 45.0, 46.0, 47.0, 48.0, 49.0, 50.0, 51.0, 52.0, 53.0, 54.0, 55.0, 56.0, 57.0, 58.0, 59.0, 60.0, 61.0, 62.0, 63.0, 64.0, 65.0, 66.0, 67.0, 68.0, 69.0, 70.0, 71.0, 72.0, 73.0, 74.0, 75.0, 76.0, 77.0, 78.0, 79.0, 80.0, 81.0, 82.0, 83.0, 84.0, 85.0, 86.0, 87.0, 88.0, 89.0, 90.0, 91.0, 92.0, 93.0, 94.0, 95.0, 96.0, 97.0, 98.0, 99.0, 100.0	Scale: 1:1	006 ML 1/2
Scale: 1:1	Revision: 2	177205

PRESSURE SENSOR MODULE :
 DRUCKSENSORMODUL :
 MODULE DE CAPTEUR DE PRESSION :
 MODULO DI SENSORE DI PRESSIONE :

MEASURING PRINCIPLE:PIEZO-RESISTIVE
 MESSPRINZIP :PIEZORESISTIV
 PUINCIPE DE MESURE :PIEZORESISTIV
 PRINCIPIO DI MISURA :PIEZORESISTIVO

SUPPLY VOLTAGE :
 SPEISESPANNUNG :
 TENSION D'ALIMENTATION :
 TENSIONE D'ALIMENTAZIONE :
 5 V DC ±5%

TOTAL CURRENT CONSUMPTION :
 GESAMTSTROMAUFNAHME :
 CONSOMMATION DE COURANT TOTALE :
 ASSORBIMENTO DI CORRENTE TOTALE :
 Max. 30mA
 (2x Max. 15mA)

INRUSH CURRENT :
 EINSCHALTSTROM :
 COURANT D'APPEL :
 CORRENTE DI INSERIMENTO :
 ≤ 115mA (t ≤ 16µs)

THERMAL RANGE OF APPLICATION :
 THERMISCHER ANWENDUNGSBEREICH :
 PLAGE DE TEMPERATURE EN UTILISATION :
 CAMPO TERMICO DI APPLICAZIONE :
 -40°C...+80°C

MEASURING RANGE : ABSOLUTE PRESSURE
 MESSBEREICH : ABSOLUTDRUCK
 ZONE DE MESURE : 0,85-12,85 bar PRESSION
 CAMPO DI MISURA : PRESSIONE

ADMISSIBLE OVERPRESSURE :
 ZULAESSIGER UEBERDRUCK :
 ADMISSIBLE SURPRESSION :
 AMMISSIBILE SOVRAPRESSIONE :
 16 bar

PORT :
 ANSCHLUSS :
 ORIFICE :
 ORIFIZIO :
 DIN 72 585

OFFSET :
 OFFSET :
 DEPLACEMENT DE VALEURS :
 DIFFERIMENTO DEL VALORI DI MISURA :
 1V

SENSITIVITY :
 EMPFINDLICHKEIT :
 SENSIBILITE :
 SENSIBILITA :
 250 mV/bar

LINEARETY :
 LINEARITAET :
 LINEARITE :
 LINEARITA :
 ≤ ±0.3%FS

HYSTERESIS :
 HYSTERESE :
 HYSTERESIS :
 ISTERESI :
 ≤ ±0.2%FS

THERMAL RANGE OF CONTINUOUS APPLICATION :
 THERMISCHER DAUERANWENDUNGSBEREICH :
 PLAGE DE TEMPERATURE EN UTILISATION CONTINUE :
 COMPO DI APPLICAZIONE CONTINUA :
 -40°C...+65°C

RESISTANCE TO HEAT :
 WAERMEBESTAENDIGKEIT :
 RESISTANCE A LA CHALEUR :
 RESISTANZA AL CALORE :
 MAX.+80°C

MAX. PERMISSIBLE FREQUENCY :
 MAX. ZULAESSIGE FREQUENZ :
 MAX. ADMISSIBLE FREQUENZA :
 MAX. AMMISSIBILE FREQUENZA :
 50 Hz

MEDIUM: COMPRESSED AIR
 MEDIUM: DRUCKLUFT
 FLUIDE: AIR COMPRIME
 FLUIDO: ARIA COMPRESSA

MAX. PERMISSIBLE ACCELERATION :
 MAX. ZULAESSIGE BESCHLEUNIGUNG :
 ACCELERATION MAX. ADMISSIBLE :
 ACCELERAZIONE MAX. AMMESSA :
 ±15xg

WORKING PRESSURE :
 BETRIEBSDRUCK :
 PRESSION DE SERVICE :
 PRESSIONE D' ESERCIZIO :
 p_emax.=13bar

INSTALLATION POSITION AS DRAWN :
 EINBAULAGE WIE GEZEICHNET :
 POSITION D' INSTALLATION SUIVANT DESSIN :
 POSIZIONE DI MONTAGGIO COME DISEGNATO

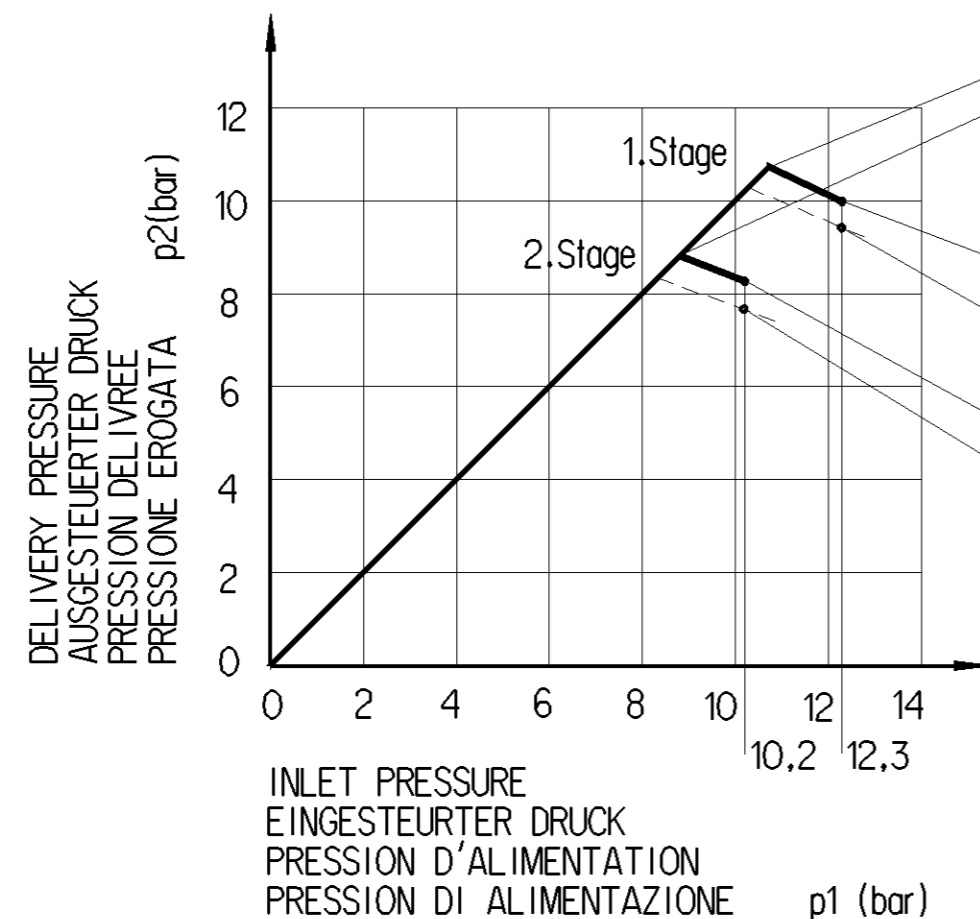
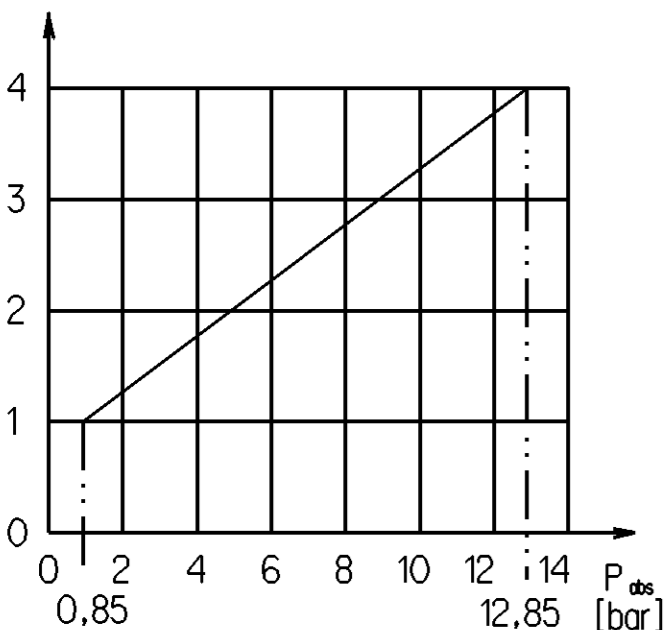
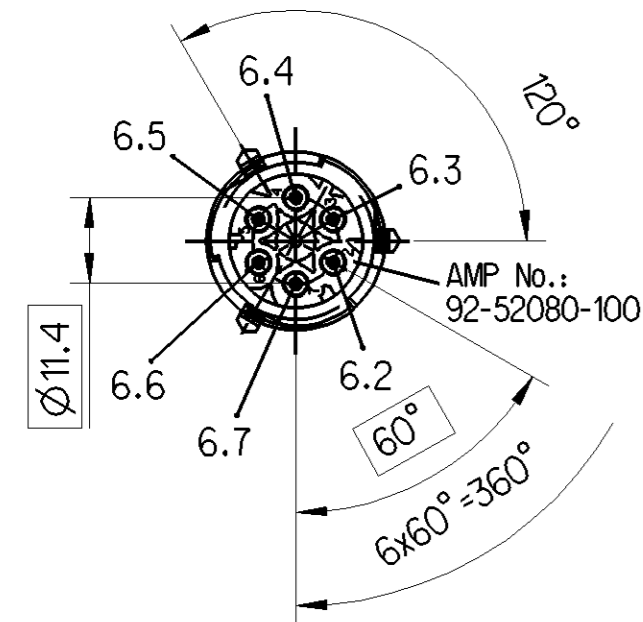
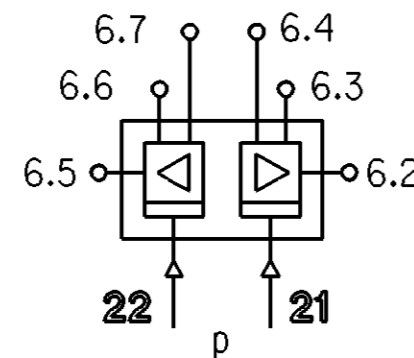
COMBINED UNLOADER :
 DRUCKREGLER :
 REGULATEUR DE PRESSION :
 GRUPPO DI REGOLAZIONE :
 CUT OUT PRESSURE :
 ABSCHALTDRUCK :
 PRESSION DE FERMETURE :
 PRESSIONE DI CHIUSURA :
 12 ± 0.3 bar
 OPERATING RANGE :
 SCHALTSPANNE :
 PLAGE DE REGULATION :
 GAMME DI REGOLAZIONE :
 1.5±0.25 bar

CIRCUIT KREIS CIRCUIT CIRCUITO	21			22		
CONTACT KONTAKT CONTACT CONTATTO	6.2	6.3	6.4	6.5	6.6	6.7
FUNCTION FUNKTION FUNCTION FONCTION FUNZIONE	OUTPUT AUSGANG SORTIE USCITA	+5 VDC	0V	OUTPUT AUSGANG SORTIE USCITA	+5 VDC	0V

PROTECTION VALVE SCHUTZVENTIL	OPENING PRESSURE OEFFNUNGSDRUCK dyn.	CLOSING PRESSURE SCHLIESSDRUCK dyn.	PRESSURE LIMITING DRUCKBEGRENZUNG p ₂ = F(p ₁):	OVERFILL VALUE UEBERFUELLWERT	PRESSURE DRUCK (bar)
CIRCUIT KREIS	1+2	9 0 -0.3	> 7.0	10±0.2 (12.3)	< 11.8
	3+4	7.5 0 -0.3	> 4.5	8.5 0 -0.4 (10.2)	< 9.8

SEQUENCE OF FILLING (SYSTEM UNPRESSURIZED):
 AUFFUELLREIHENFOLGE (ANLAGE DRUCKLOS):

P1 > 7.2 BAR AND P2 > 3 BAR WHEN P3 = 1 BAR OR
 UND WENN WENN ODER
 P2 > 7.2 BAR AND P1 > 3 BAR WHEN P3 = 1 BAR
 UND WENN WENN



PRESSURE LIMITATION BY FIRST DELIVERY
 DRUCKBEGRENZUNG BEIM ERSTEN AUFFUELLEN
 LIMITATION PENDANT UNE PREMIERE REMPLISSAGE
 LIMITAZIONE COL PRIMO RIEMPRIMENTO

PRESSURE LIMITATION AFTER CONSUMPTION
 DRUCKBEGRENZUNG NACH VERBRAUCH
 LIMITATION APRES CONSOMMATION
 LIMITAZIONE DI PRESSIONE DOPO CONSUMO

MINIMUM PRESSURE INCLUDING MAX HYSTERESIS
 MINIMALER DRUCK INCLUSIVE MAX HYSTERESE

General Specification: JED-334-1, Size ISO 14405 LP		Copyright WABCO®		Date		Signature	
Further Technical Data:		Doc. Code		Sheet		To	
General Tolerances JED-261		2018-10-04		Kolkowski		Checked	
Range of Nominal Dimensions (± mm)		2018-10-05		Marcirkiewicz		Expert	
Class 1)	≤ 50	> 50 ≤ 180	> 180 ≤ 400	> 400	Baut		
Fine	0.5	1.0	1.5	2.0	Material No.		
Medium	1.0	2.0	3.0	4.0	Date of first issue: 2016-07-20		
Coarse	2.0	3.5	5.0	6.5	Doc.Code Language Sheet		
Tapped Holes acc. -		A 2		CREO		Replacement for	
1) Tolerance Class Applied Crossmarked		ECN-No. 177205		Revision 6 x C		Techn. Resp. 5110_AM	

ProVia
 AIR PROCESSING UNIT
 DRUCKLUFTAUFBETEUUNG
 UNITE COMPACTE
 UNITA COMPATTA

PRO 100 100 0

005 ML 2/2