

Draft for text areas explanation only. Draft can be different to the real part.

| Identification | Designation | Kind of Marking | Colour | Size of Types resp. Standard | Remarks |
|----------------|--|----------------------|--------|------------------------------|--|
| e | ProVia - Logo | Tampon / UV-branding | white | Size 6 | |
| f | ProVia - Set number | Tampon / UV-branding | white | Height of characters 5 ±1 mm | |
| g | ProVia - Sales reference, US-Code (when exist) | Tampon / UV-branding | white | | |
| h | Number of WVA | Tampon / UV-branding | white | | |
| j | Number of ECE | Tampon / UV-branding | white | | Height of characters and position of the marking may be acc. to the shape of the backing plate |
| k | Country of origin | Tampon / UV-branding | white | | |
| l | Batch number | of markers option | white | | |
| m | Environmental marking acc. to SAE J866 JUL2012 or latest | of markers option | white | | |

a Max. 10% lacquer permitted, without mould skin. (acc. to finishing code)

B

b Firmly attached burr around pad contour permitted, must not protrude beyond backing plate

| Pos. | Name | Quantity |
|------|-----------|----------|
| 1 | Brake pad | 4 |

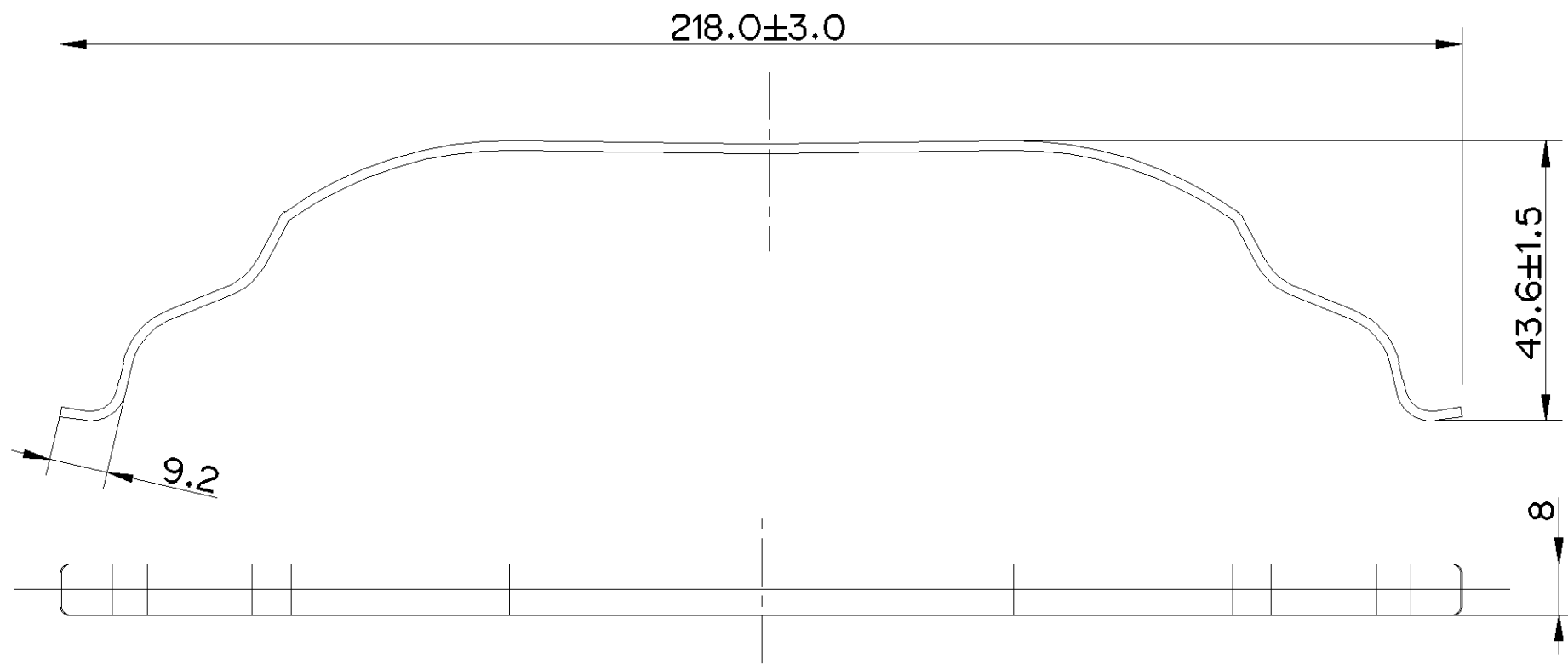
| | | | |
|--|--------------------------------------|---------------------------------|--------------------|
| General Specification: JED-334-1 - Size ISO 14405 LP | | Copyright WABCO® | |
| Further Technical Data: PART SPECIFICATION | | Date: 2018-01-12 | Signature: Liszwan |
| Doc. Code: 014 | Sheet: 1 To 4 | Checked: Liszwan | |
| General Tolerances JED-261 | | Checked: Przybysz | |
| Range of Nominal Dimensions (± mm) | | Expert: Liszwan | |
| Class | 1) ≤ 50 > 50 > 180 > 180 > 400 > 400 | Mass | Scale |
| Fine | 0,5 1,0 1,5 2,0 | 10,0 | 1:1 |
| Medium | X 1,0 2,0 3,0 4,0 | kg | |
| Coarse | 2,0 3,5 5,0 6,5 | Size | CAD System |
| Tapped Holes acc. - | | A 1 | CREO |
| 1) Tolerance Class Applied Crossmarked | | Material No. 340 902 001 2 | |
| | | Date of first issue: 2018-09-26 | |
| | | Doc. Code Language Sheet | |
| | | 005 EN 1/2 | |
| | | Revision: 2x B | |
| | | Tech. Resp. 0959 | |
| | | Replacement for | |

100mm

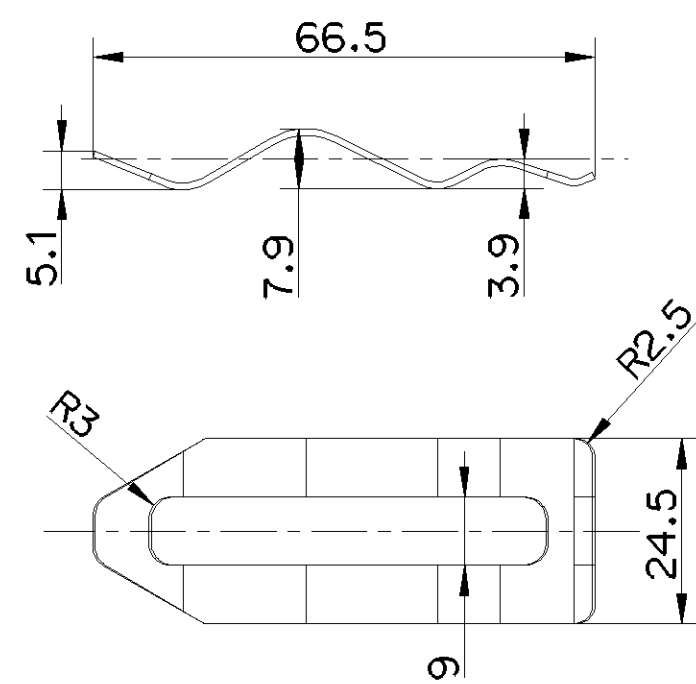
Non è permesso copiare o riprodurre questo documento, né utilizzare il contenuto a fini commerciali, senza permesso scritto dalla WABCO. È vietata espressamente la ristampa o l'uso non autorizzato. Toute réimpression ou utilisation non autorisée sans la permission écrite de la WABCO est formellement interdite. Toute utilisation non autorisée sera considérée comme une violation des lois en vigueur. All rights reserved. No part of this document may be reproduced, stored in a retrieval system, or transmitted in any form or by any means, electronic, mechanical, photocopying, recording, or by any information storage and retrieval system, without the prior written permission of WABCO.

Non e permesso copiare, o terzi o riprodurre questo documento, ne utilizzare il contenuto o renderlo comunque noto a terzi senza autorizzazione esplicita. Ogni infrazione costituisce un evidente abuso e comportera il risarcimento dei danni subiti. E' fatta riserva di tutti i diritti derivanti da brevetti o modelli.
 Copying of this document and giving it to others and the use or communication of the contents thereof, are forbidden without express authority. Contravention of this restriction will constitute an evident abuse and result in a liability to the payment of damages. All rights are reserved in the event of the grant of patent or registration of a utility model or design. This document is the subject of copyright.
 Toute communication ou reproduction de ce document, toute exploitation ou communication de son contenu sont interdites, sauf autorisation expresse. Tout manquement a cette regle constitue un abus evident et expose son auteur au versement de dommages et interets. Tous droits de proprieite industrielle reserves, notamment en matiere de brevets et de modesles.
 Weitergabe sowie Vervielfaltigung dieser Unterlagen, Verwertung und Mitteilung ihres Inhalts nicht gestattet, soweit nicht ausdrücklich ansonsten, weitergegeben, stehen einem offensichtlichen Missbrauch dar und verpflichten zu Schadensersatz. Alle Rechte hier, den Fall der Patenterteilung oder Gebrauchsmuster-Eintragung vorbehalten.

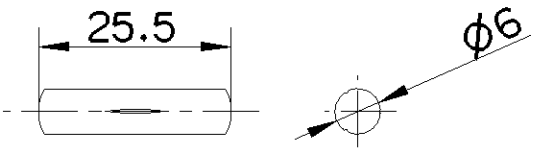
1.



2.



3.



| Pos. | Name | Quantity |
|------|-------------|----------|
| 1 | Piston clip | 2 |
| 2 | Spring clip | 8 |
| 3 | Spring clip | 8 |

| | | | | | |
|---|------|------------------|-------------|---------------------------------|-------------------|
| General Specification: JED-334-1, Size ISO 14405 LP | | Copyright WABCO® | | ProVia | |
| Further Technical Data: | | Date | Signature | | |
| Doc. Code: Sheet: To: | | 2018-01-12 | Liszwan | Accessory Kit | |
| General Tolerances JED-261 | | Checked | 2018-02-09 | | |
| Range of Nominal Dimensions (± mm) | | Expert | | Material No. | |
| Class 1) | ≤ 50 | > 50 ≤ 180 | > 180 ≤ 400 | > 400 | ±3° |
| Fine | 0.5 | 1.0 | 1.5 | 2.0 | 0.5 kg |
| Medium | 1.0 | 2.0 | 3.0 | 4.0 | |
| Coarse | 2.0 | 3.5 | 5.0 | 6.5 | 1:1 |
| Tapped Holes acc. - | | Size | CAD System | Date of first issue: 2015-03-26 | |
| 1) Tolerance Class Applied Crossmarked | | A 2 | CREO | 340 902 001 2 | |
| | | ECN-No. 176085 | | Revision - B | Techn. Resp. 0959 |
| | | | | Doc. Code 005 | |
| | | | | Language EN | |
| | | | | Sheet 2/2 | |
| | | | | Replacement for - | |