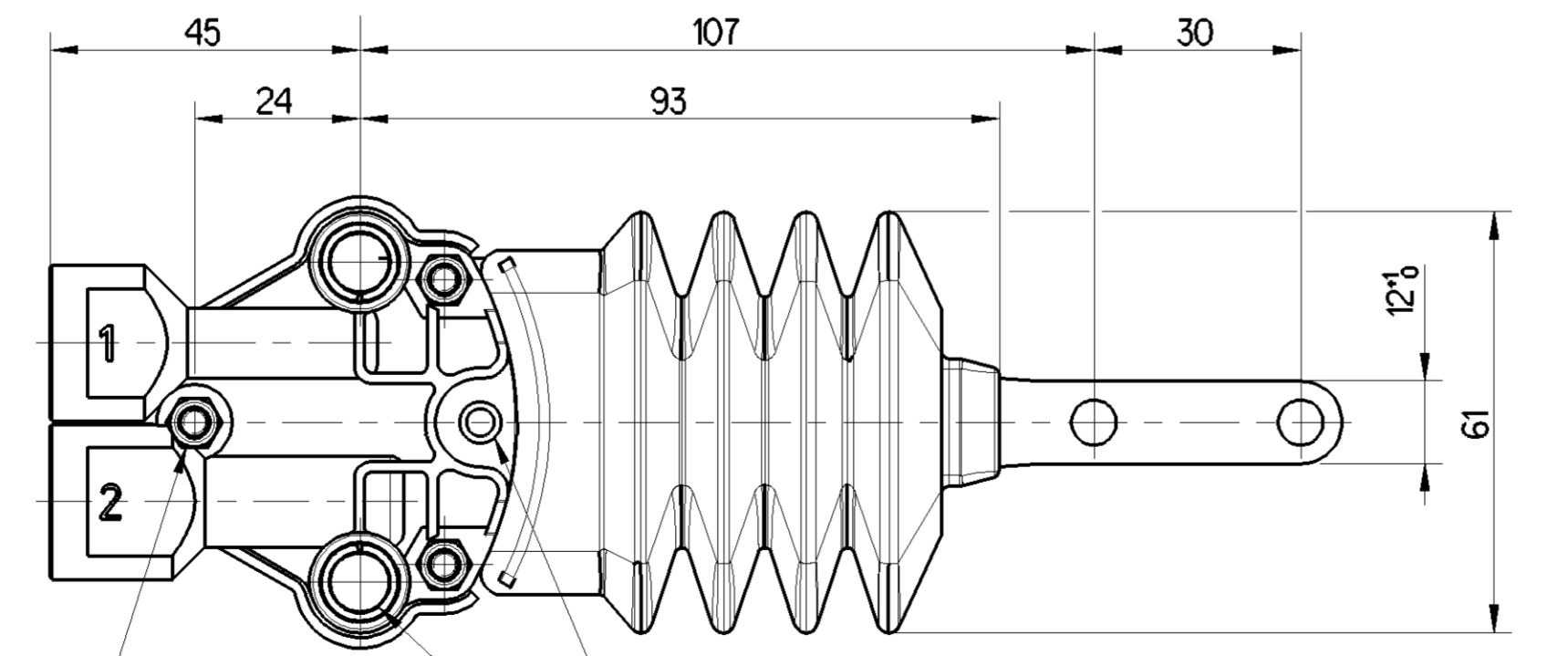
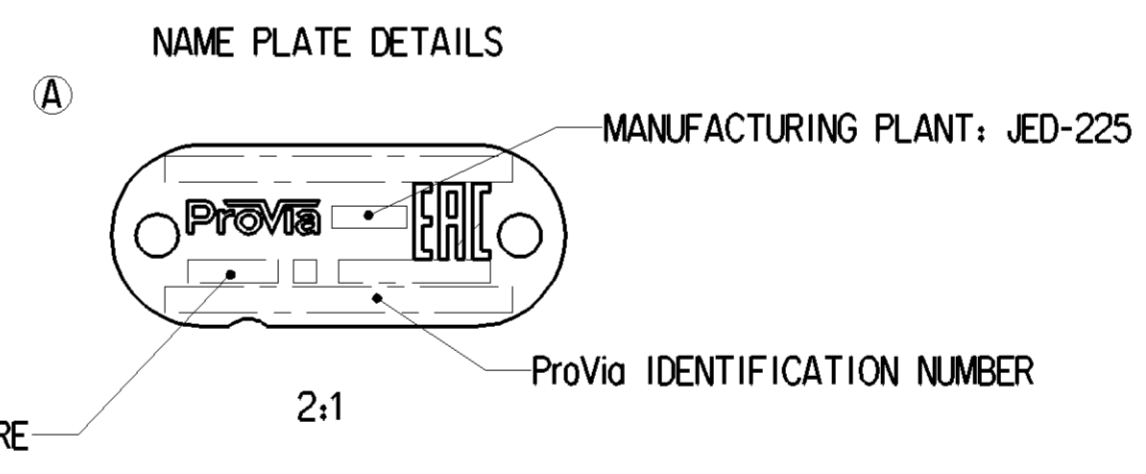
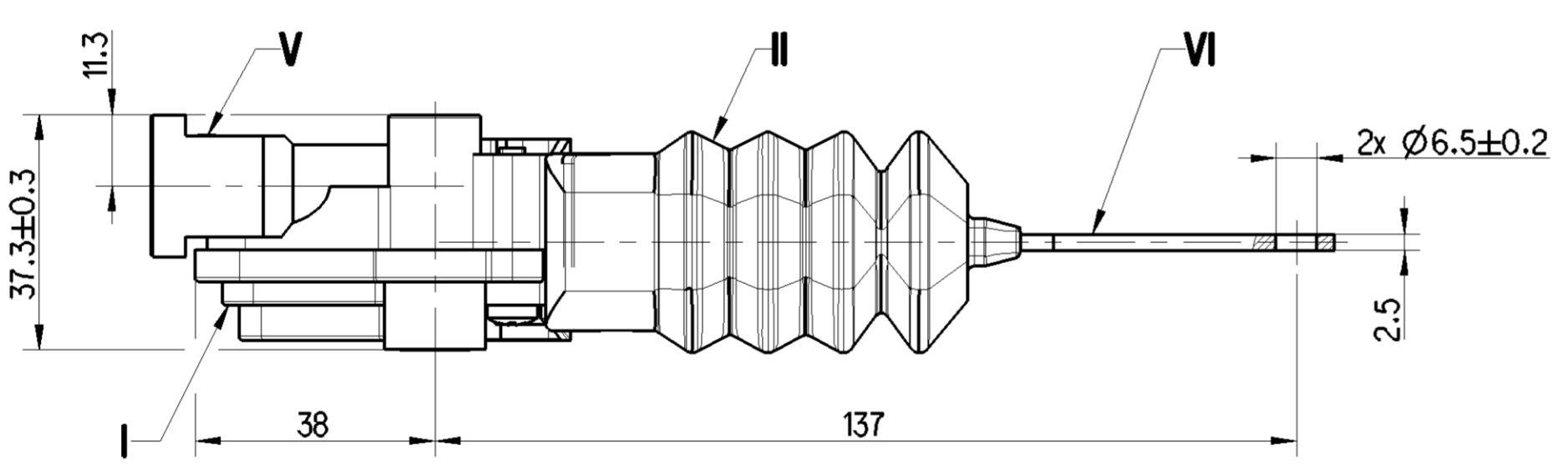
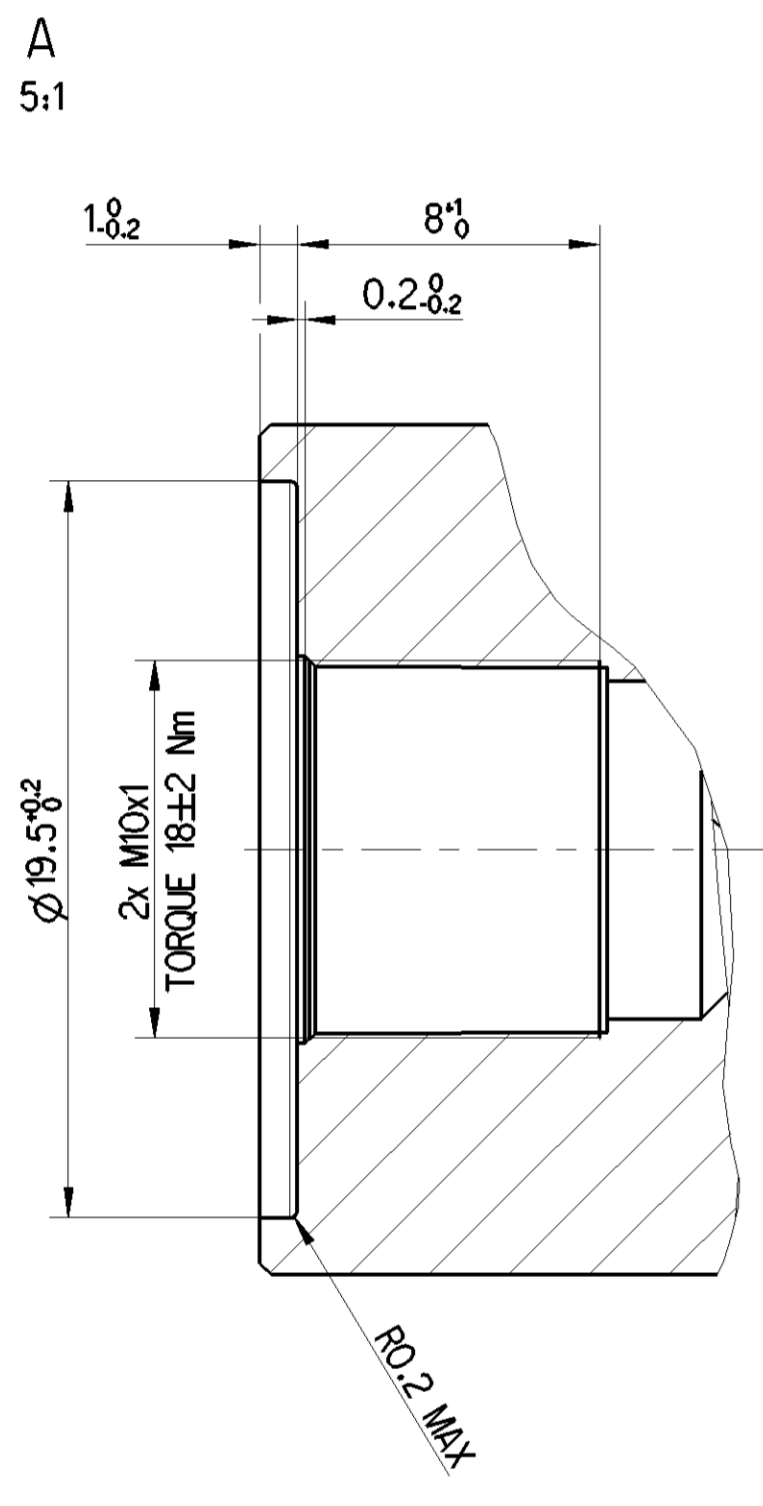
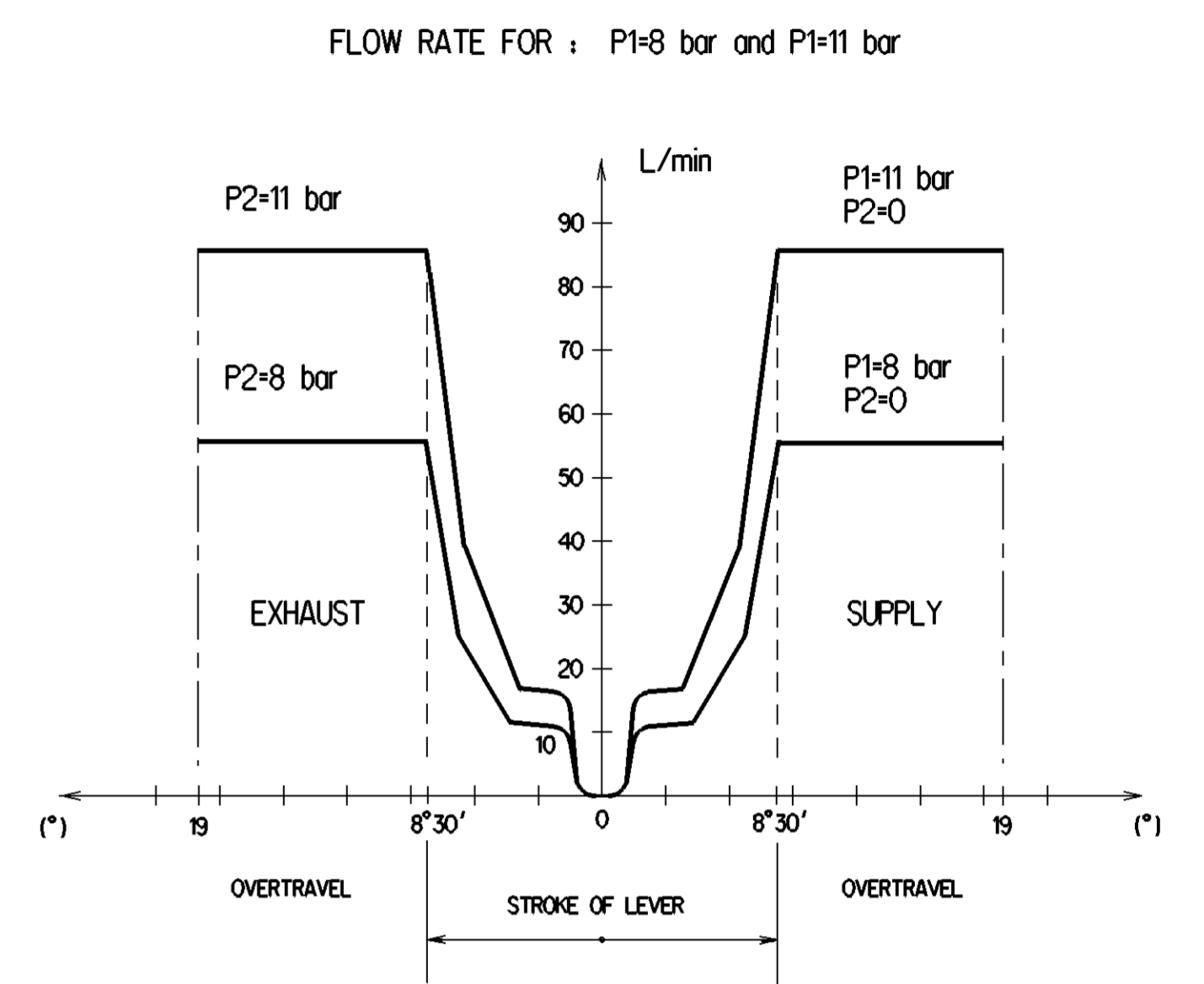
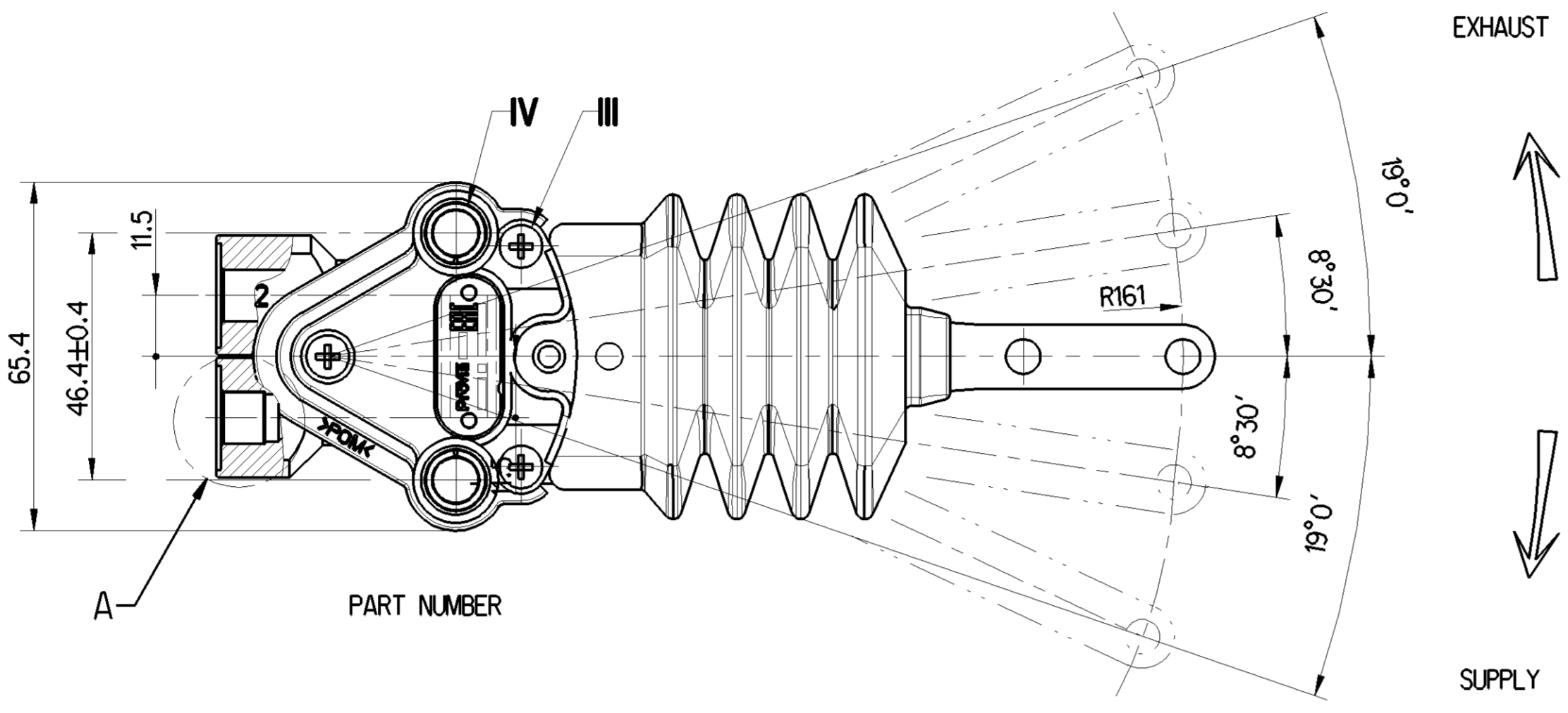
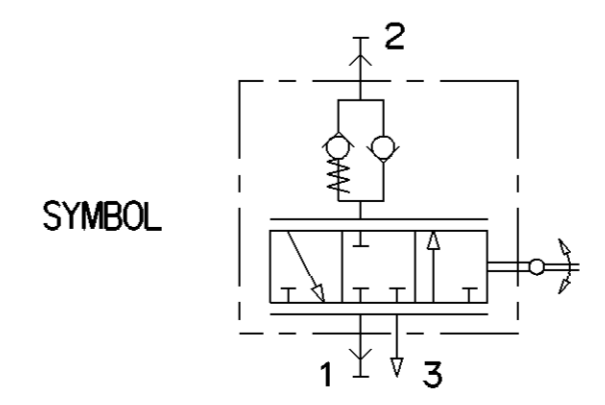


	MATERIAL	SURFACE PROTECTION
I	POM	
II	EPDM	
III	STEEL	Zn
IV	STEEL	Zn
V	Zn Alloy	Cr III
VI	STEEL	Zn
VII	STEEL	Zn



HOLE Ø4 TO PRE-INDEX IN MECHANICAL NEUTRAL POSITION
 Ø8,5±0,2 (2x), FIXING OF THE VALVE BY SCREW: M8
 TORQUE: 28 Nm MAX.



1	SUPPLY	
2	DELIVERY	
THERMAL RANGE		-40°C ... +80°C
WORKING PRESSURE		P1= 11 bar MAX.
EXCEPTIONAL INLET PRESSURE		P1= 14 bar MAX.
RESIDUAL PRESSURE		P2= 0.6±0.3 bar

General Specification: JED-334-1 - Size ISO 14405 LP		Copyright WABCO®	
Further Technical Data: PRO007010		Date: 2018-09-24	Signature: Sorovon
Doc. Code: O35	Sheet: 1 To 5	Checked: 2018-09-24	Expert: BILSING THOMAS
General Tolerances JED-261		Mass: 0.359 kg	Scale: 1:1
Range of Nominal Dimensions (± mm)		Size: A 1	CAD System: CREO
Class	1)	≤ 50	> 180
Fine		± 0.1	± 0.15
Medium		± 0.2	± 0.3
Coarse		± 0.3	± 0.5
Tapped Holes acc.		Date of first issue: 2016-12-05	
1) Tolerance Class Applied Crossmarked		Doc. Code: 005	
		Language: EN	
		Sheet: 1/1	
		Material No.: PRO 007 010 0	
		Ech. No.: 177205	
		Revision: 1	
		Techn. Resp.: 5642_AM	
		Replacement for: -	

Non e permesso copiare o riprodurre questo documento, ne utilizzare i contenuti o riprodurre immagini, senza permesso scritto dalla WABCO. E' vietata espressamente la ristampa o l'uso non autorizzato di questo documento. Toute reproduction ou utilisation de son contenu sans autorisation est interdite. Toute utilisation non autorisée de ce document est formellement interdite. All rights reserved. No part of this document may be reproduced, stored in a retrieval system, or transmitted in any form or by any means, electronic, mechanical, photocopying, recording, or by any information storage and retrieval system, without the prior written permission of WABCO. All rights reserved. No part of this document may be reproduced, stored in a retrieval system, or transmitted in any form or by any means, electronic, mechanical, photocopying, recording, or by any information storage and retrieval system, without the prior written permission of WABCO.