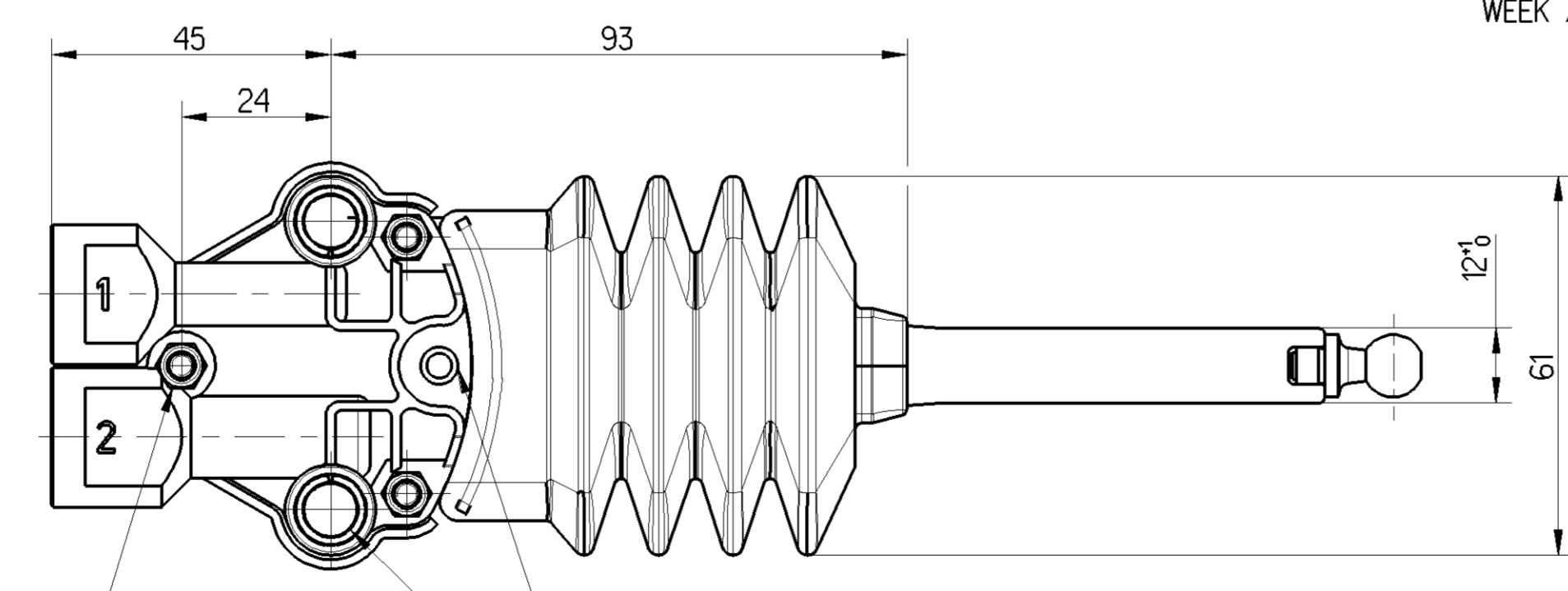
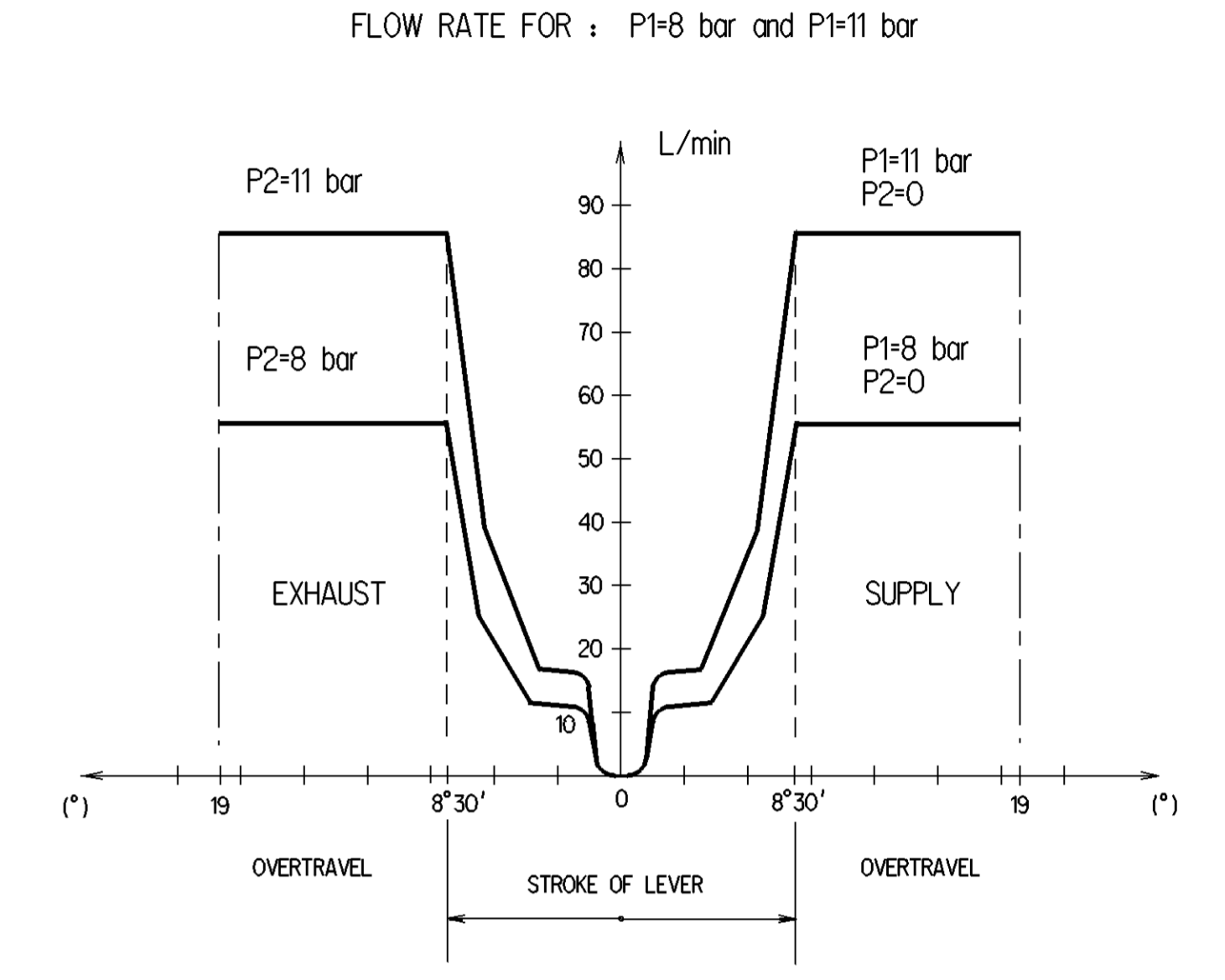
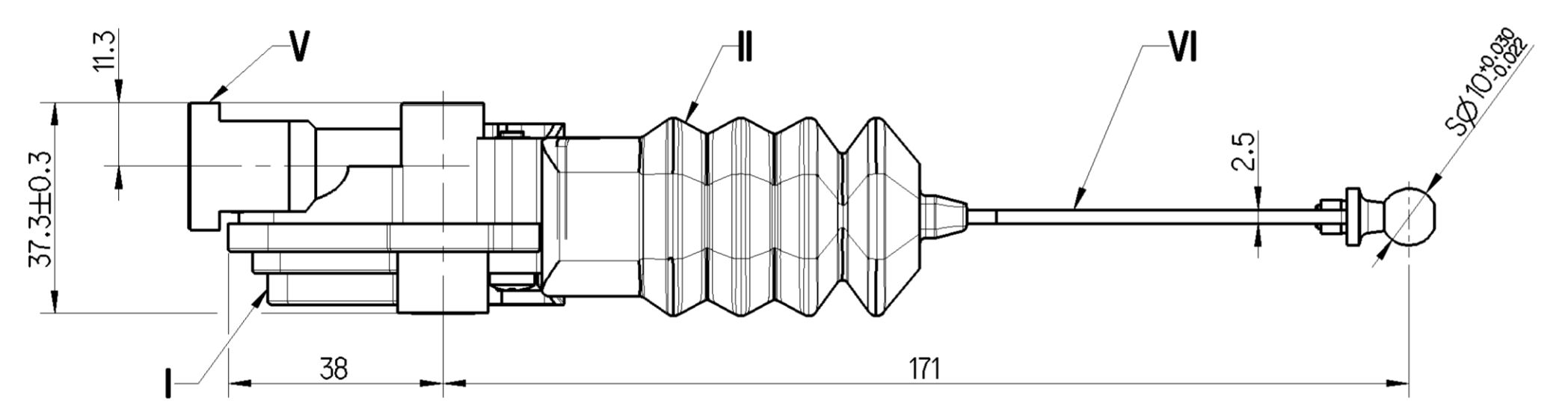
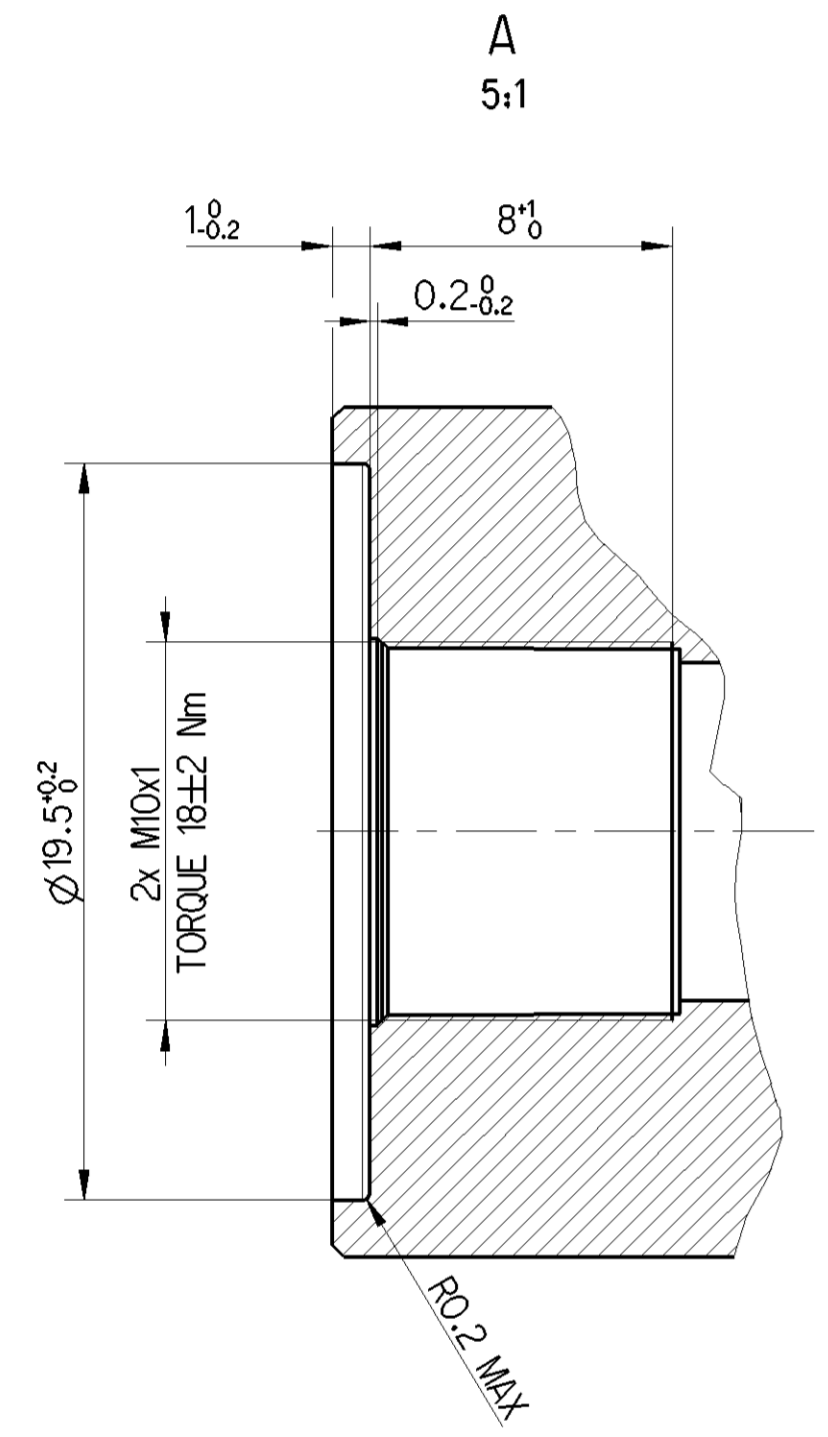
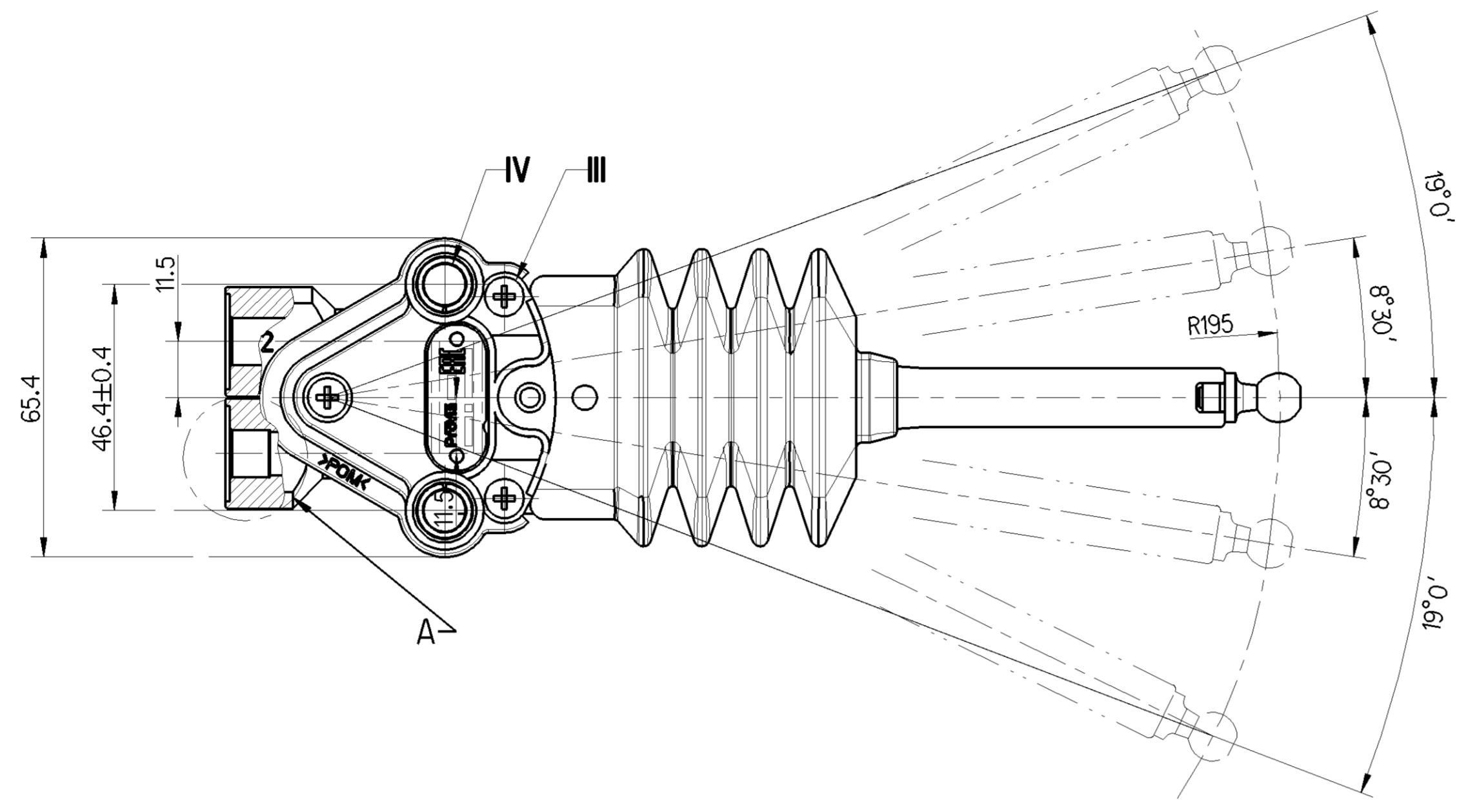
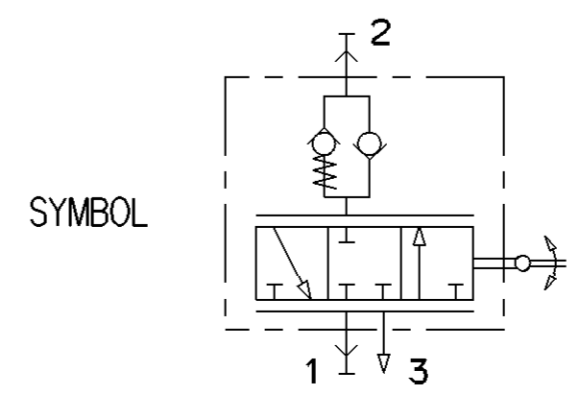
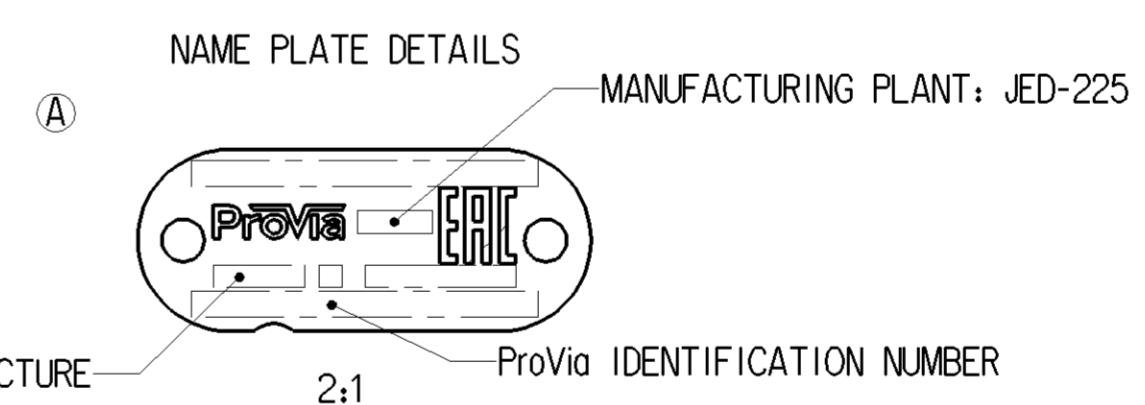


Non è permesso copiare o riprodurre questo documento, né utilizzare il contenuto a fini commerciali, senza permesso scritto dalla WABCO. È vietata espressamente la ristampa o l'uso non autorizzato. Toute réimpression ou reproduction de ce document, sans autorisation de la WABCO, est formellement interdite. Toute utilisation commerciale du contenu de ce document est formellement interdite.

	MATERIAL	SURFACE PROTECTION
I	POM	
II	EPDM	
III	STEEL	Zn
IV	STEEL	Zn
V	Zn Alloy	Cr III
VI	STEEL	Zn
VII	STEEL	Zn



VII
 HOLE Ø4 TO PRE-INDEX IN MECHANICAL NEUTRAL POSITION
 Ø8,5±0,2 (2x), FIXING OF THE VALVE BY SCREW: M8
 TORQUE: 28Nm MAX.



1	SUPPLY
2	DELIVERY
THERMAL RANGE	-40°C ... +80°C
WORKING PRESSURE	P1= 11 bar MAX.
EXCEPTIONAL INLET PRESSURE	P1= 14 bar MAX.
RESIDUAL PRESSURE	P2= 0.6±0.3 bar

General Specification: JED-334-1 - Size ISO 14405 LP		Copyright WABCO®	
Further Technical Data: PRO007010		Date: 2018-09-24	Signature: Scavronan
Doc. Code: O35	Sheet: 1 To 5	Checked: Vallarosa	Expert: THOMAS BILSING
General Tolerances JED-261			
Range of Nominal Dimensions (± mm)			
Class	1)	≤ 50	> 50 < 180
Fine		± 0.1	± 0.15
Medium		± 0.2	± 0.3
Coarse		± 0.3	± 0.5
Tapped Holes acc.			
1) Tolerance Class Applied Crossmarked			
Mass	0.372 kg	Scale	1:1
Size	A 1	CAD System	CREO
Material No. PRO 007 011 0		Date of first issue: 2016-12-05	Doc. Code: O05
Revision: 1		Techn. Resp.: 5642_AM	Language: EN
ECHO No. 177205		Sheet: 1/1	Replacement for: -