

Non e' permesso consegnare o terzi o riprodurre questo documento, ne utilizzare il contenuto o renderlo comunque noto a terzi senza autorizzazione esplicita. Ogni infrazione costituisce un evidente abuso e comportera il risarcimento dei danni subiti. E' fatta riserva di tutti i diritti derivanti da brevetti o modelli.

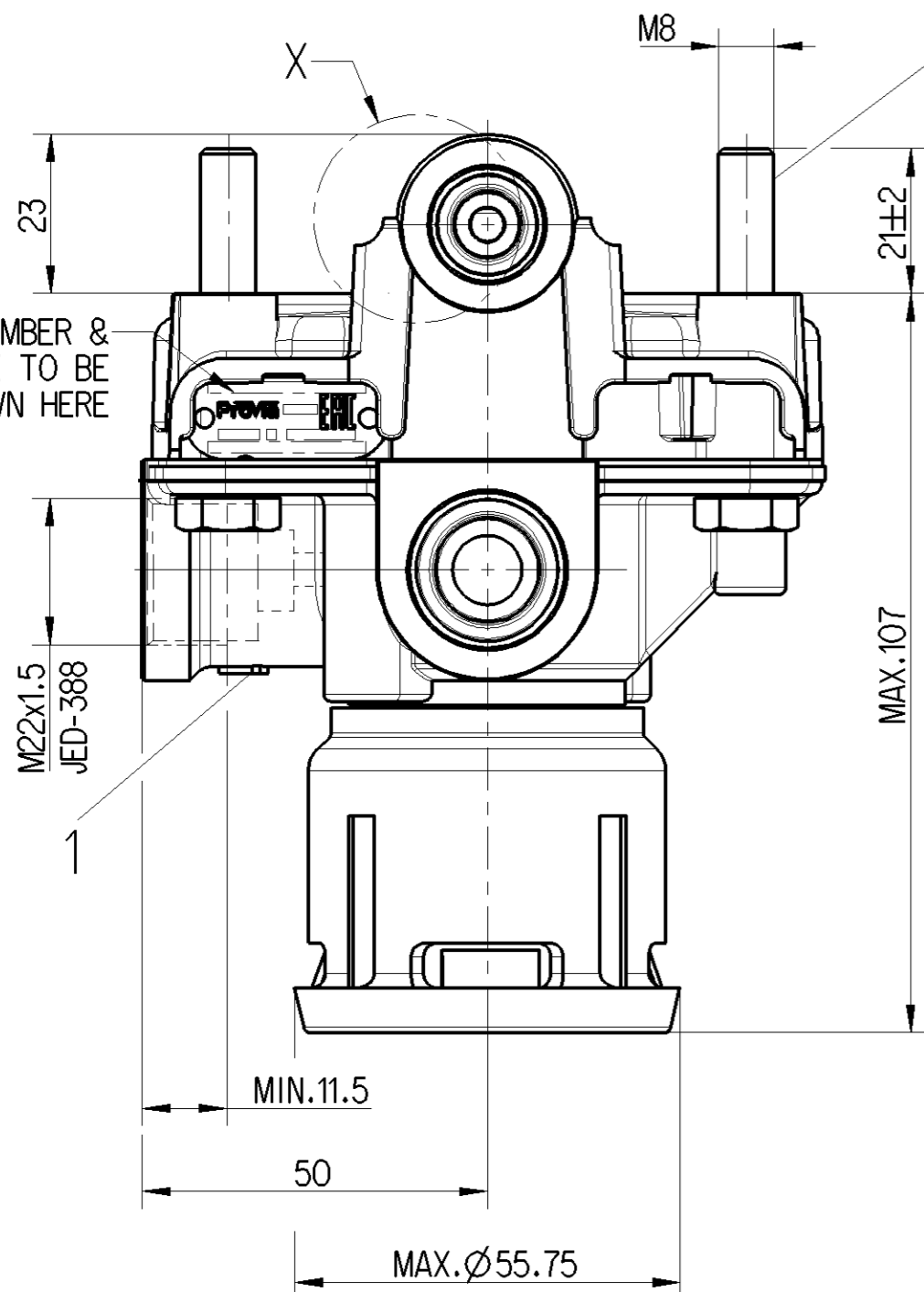
Copying of this document and giving it to others and the use or communication of the contents thereof, are forbidden without express authority. Contention of this restriction will constitute an evident abuse and result in a liability to the payment of damages. All rights are reserved in the event of the grant of patent or registration of a utility model or design. This document is the subject of copyright.

Toutte communication ou reproduction de ce document, toute exploitation ou communication de son contenu sont interdites, sauf autorisation expresse. Tout manquement a cette regle constitue un abus evident et expose son auteur au versement de dommages et interets. Tous droits de proprie'te industrielle reserves, notamment en matiere de brevets et de modesles.

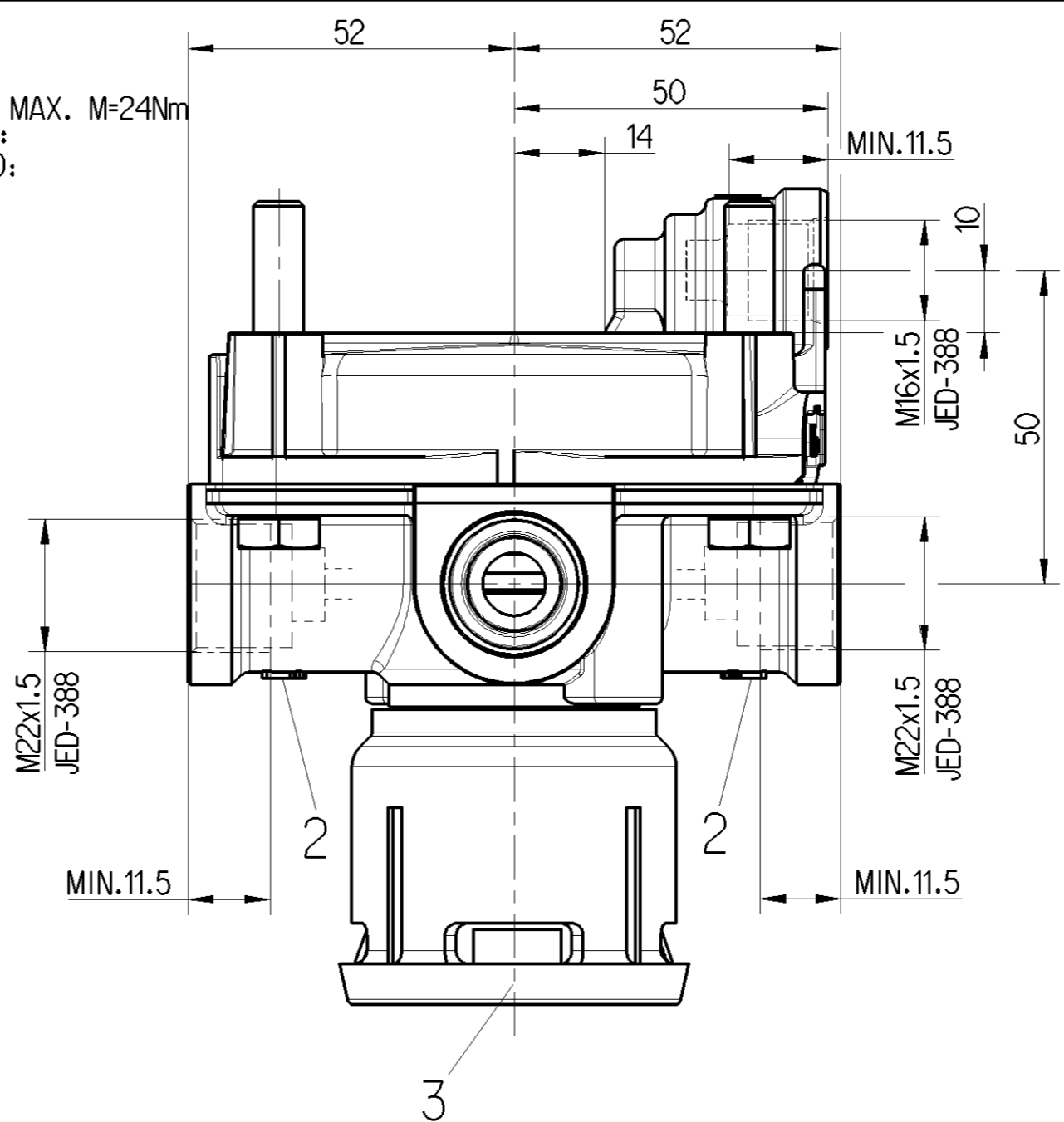
Wiedergabe sowie Vervielfaeltigung dieser Unterlagen, Verleihen und Mitteilen ihres Inhalts nicht gestattet, soweit nicht ausdru'cklich ansonsten, weitergegeben, stellen eine offensichtliche Missbrauch dar und verpflichten zu Schadensersatz. Alle Rechte hier den Fall der Patentierung oder Gebrauchsmuster-Eintragung vorbehalten.

ASSEMBLY PART NUMBER & MANUFACTURE DATE TO BE SHOWN HERE

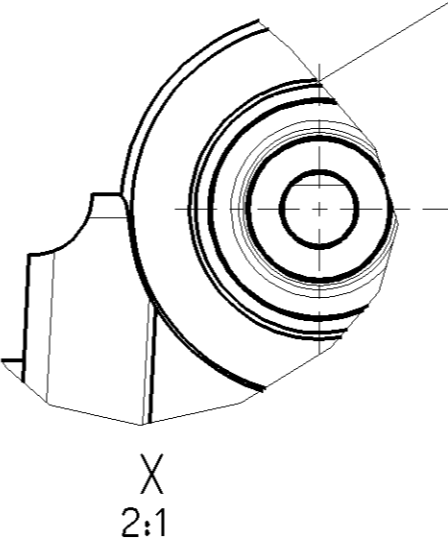
①



TORQUE:
ANZUGSMOMENT: MAX. M=24Nm
COUPLE DE SERRAGE:
COPPIA DI SERRAGGIO:



DESIGN PERMISSIBLE
AUSFUEHRUNG ZULAESSIG
REALISATION ADMISE
DISEGNO AMMISSIBILE



X
2:1

TORQUE FOR CONNECTIONS:
ANZUGSMOMENT FUER EINSCHRAUBSTUTZEN:
COUPLE DE SERRAGE DES RACCORDS:
COPPIA DI SERRAGGIO DEI RACCORDI:

M16x1.5 : M max. = 34 Nm
M22x1.5 : M max. = 53 Nm

TEMPORARILY:
KURZZEITIG:
DE COURTE DUREE:
BREVE TEMPO SOLO:

MAX. p_e = 13 bar

SUPPLY PRESSURE:
VORRATSDRUCK:
PRESSION D' ALIMENTATION:
PRESSIONE DI ALIMENTAZIONE:

MAX. p_e = 13 bar

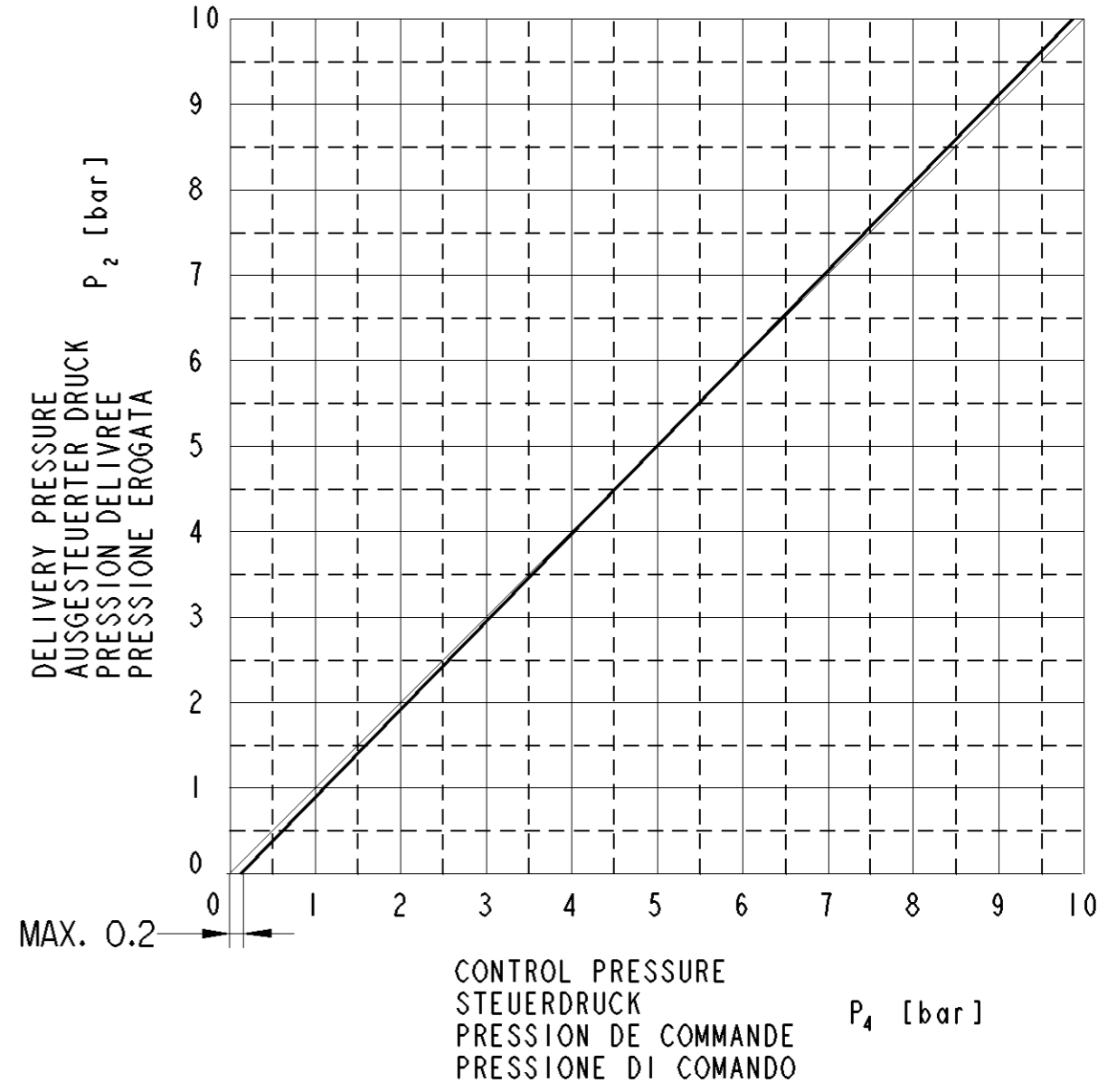
PERMISSIBLE INSTALLATION:
ZULAESSIGE EINBAULAGE:
POSITION D' INSTALLATION ADMISE:
POSIZIONE DI MONTAGGIO AMMESSA:

± 90°

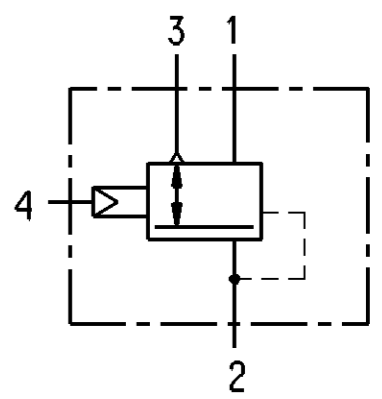
MEDIUM : AIR
MEDIUM : LUFT
FLUIDE : AIR
FLUIDO : ARIA

WORKING PRESSURE:
BETRIEBSDRUCK:
PRESSION DE SERVICE:
PRESSIONE D' ESERCIZIO:
MAX. p_e = 10 bar

THERMAL RANGE OF APPLICATION:
THERMISCHER ANWENDUNGSBEREICH:
GAMME D' APPLICATION THERMIQUE:
CAMPO DI APPLICAZIONE TERMICA:
-40° . . . +80° C



- 1 SUPPLY
VORRAT
ALIMENTATION
ALIMENTAZIONE
- 2 DELIVERY PRESSURE
AUSGESTEUERTER DRUCK
PRESSION DELIVREE
PRESSIONE EROGATA
- 3 EXHAUST
ENTLUEFTUNG
ECHAPPEMENT
SCARICO
- 4 CONTROL PRESSURE
STEUERDRUCK
PRESSION DE COMMANDE
PRESSIONE DI COMANDO



General Specification: JED-334-1, Size ISO 14405 LP		Copyright WABCO®		ProVia	
Further Technical Data: PRO 011 004 0		Date	Signature	RELAY VALVE RELAISVENTIL VALVE RELAIS VALVOLA RELE	
Doc. Code: 035	Sheet: 1 To 10	2018-09-20	VALLARASU MP	ECN-No. 177205	
General Tolerances JED-261		2018-09-21	Aswinkumar	Revision 1	Techn. Resp. D
Range of Nominal Dimensions (± mm)		Expert K P. NAGARAJAN		Replacment for 5220_AM	
Class 1)	≤ 50	> 50 ≤ 180	> 180 ≤ 400	> 400	±3°
Fine	0.5	1.0	1.5	2.0	±3°
Medium	1.0	2.0	3.0	4.0	
Coarse	2.0	3.5	5.0	6.5	
Tapped Holes acc. JED-388		Mass	Scale	Material No.	Date of first issue: 2015-06-05
1) Tolerance Class Applied Crossmarked		0.64	1:1 (2:1)	PRO 011 008 0	Doc.Code 005
		Size	CAD System	ECN-No. 177205	Language ML
		A 2	CREO	Revision 1	Sheet 1/1

Version: D.3 / state: Under Review / mfr: PRO 011 008 0