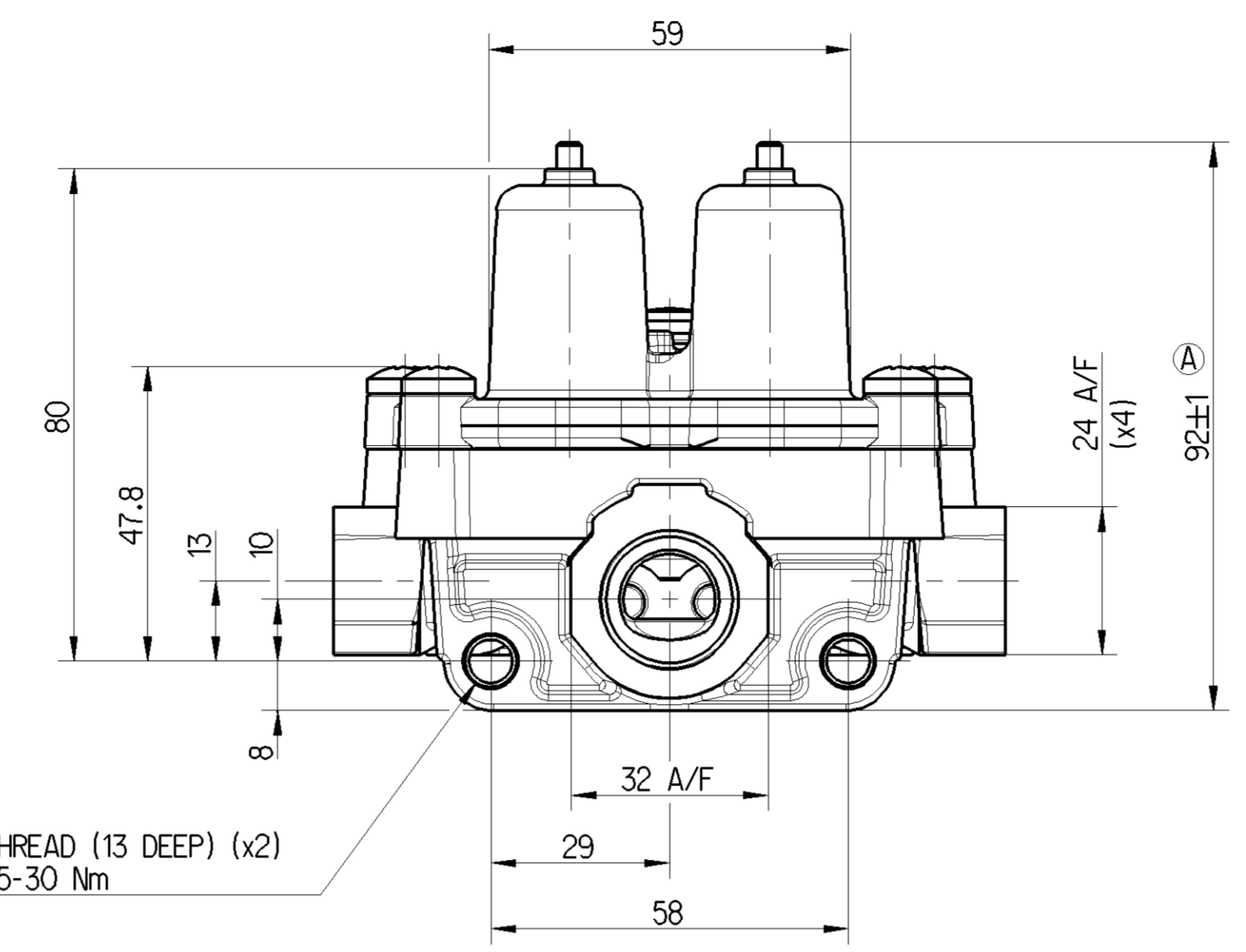
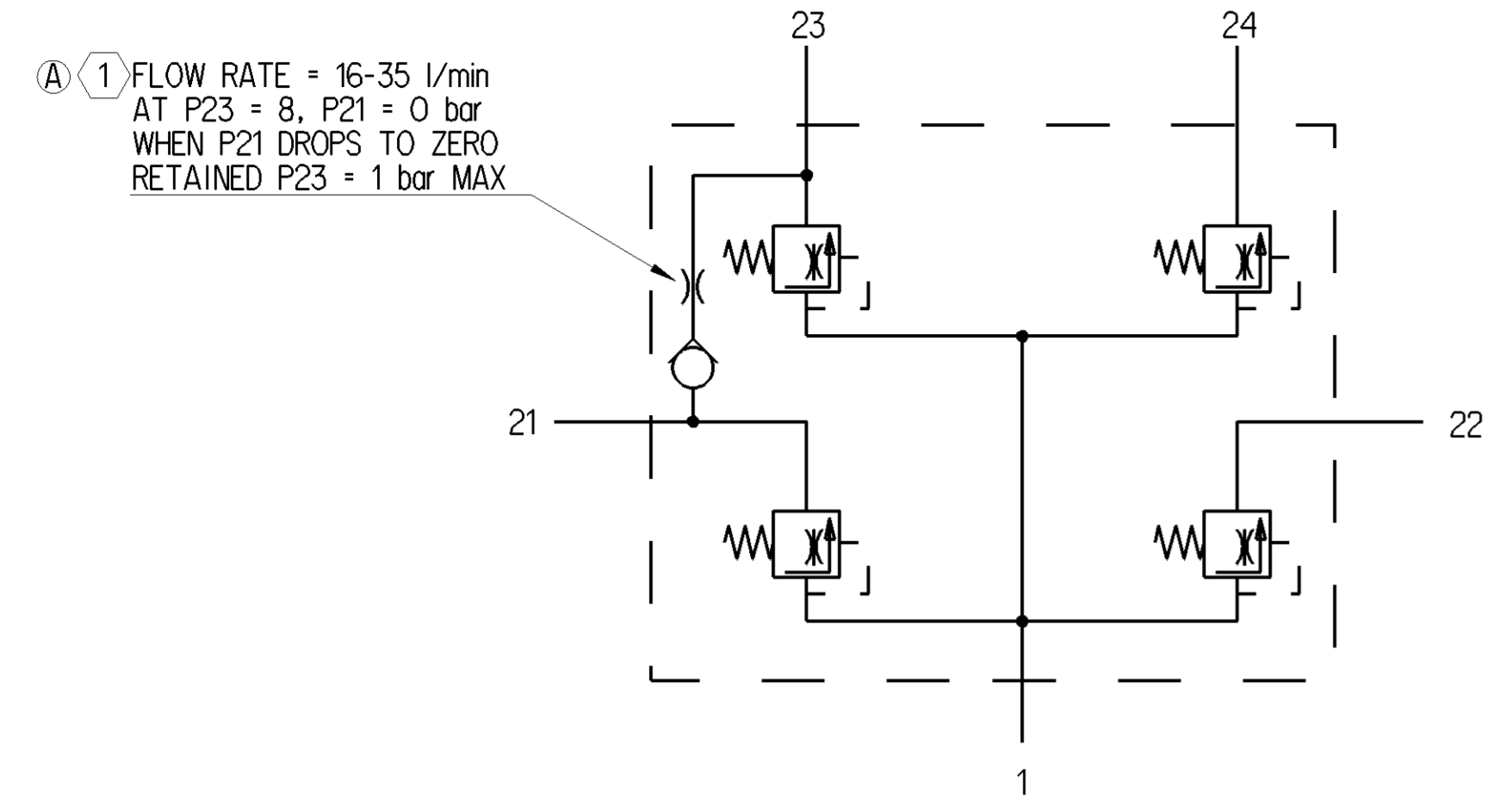
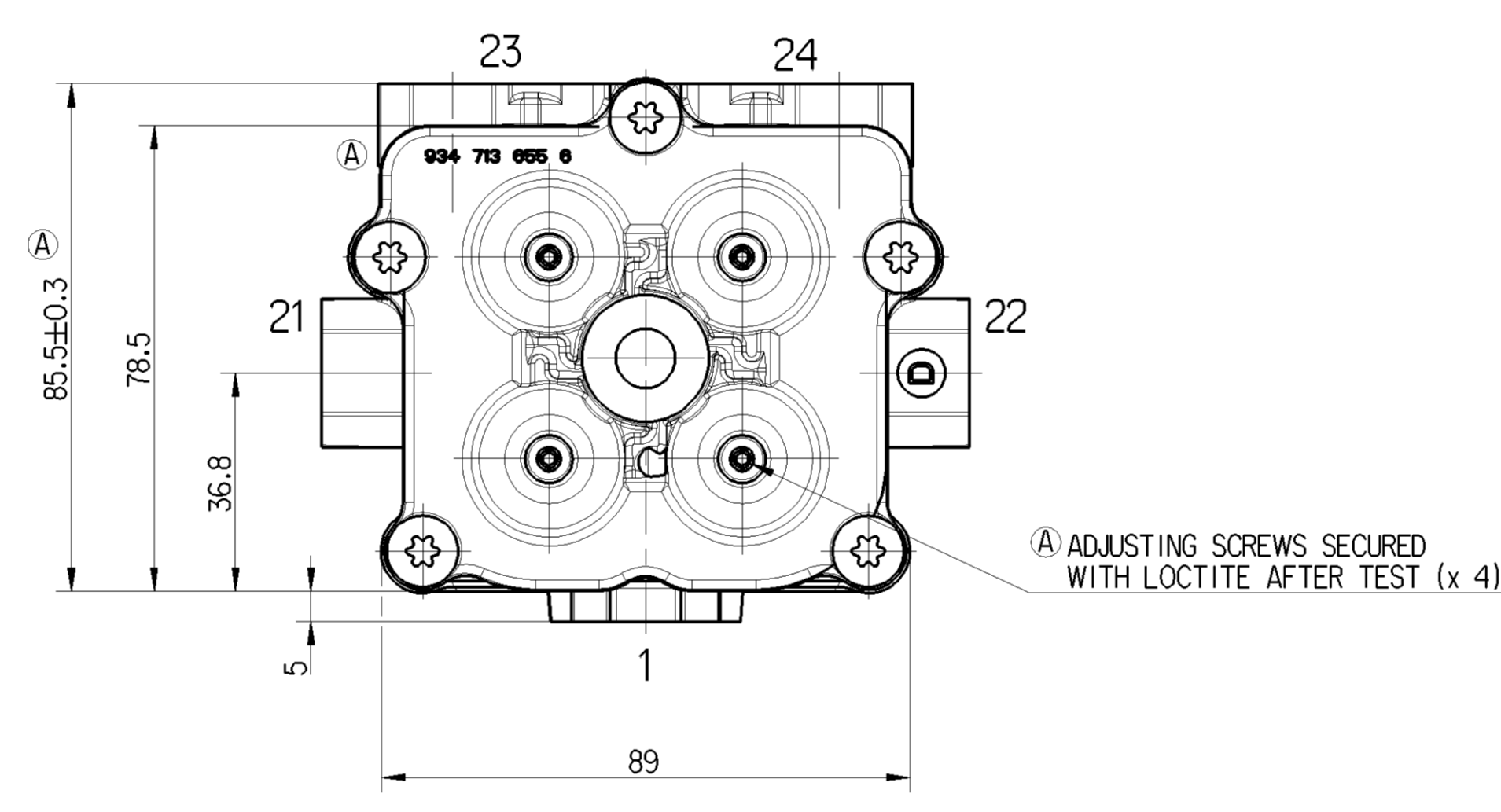
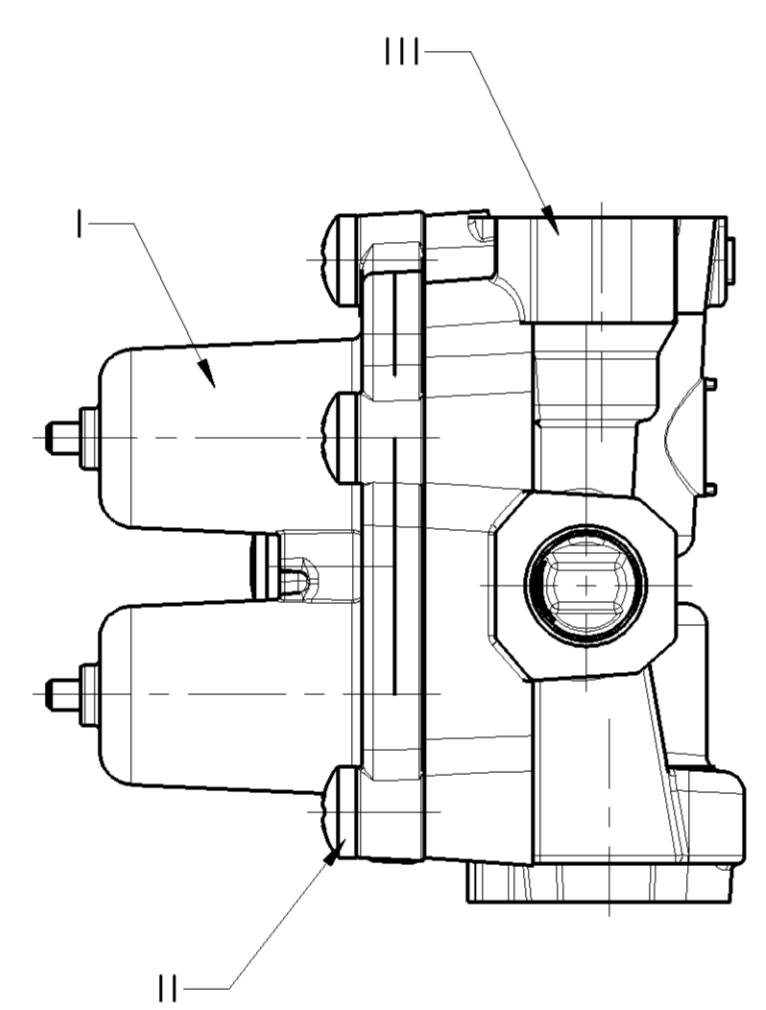
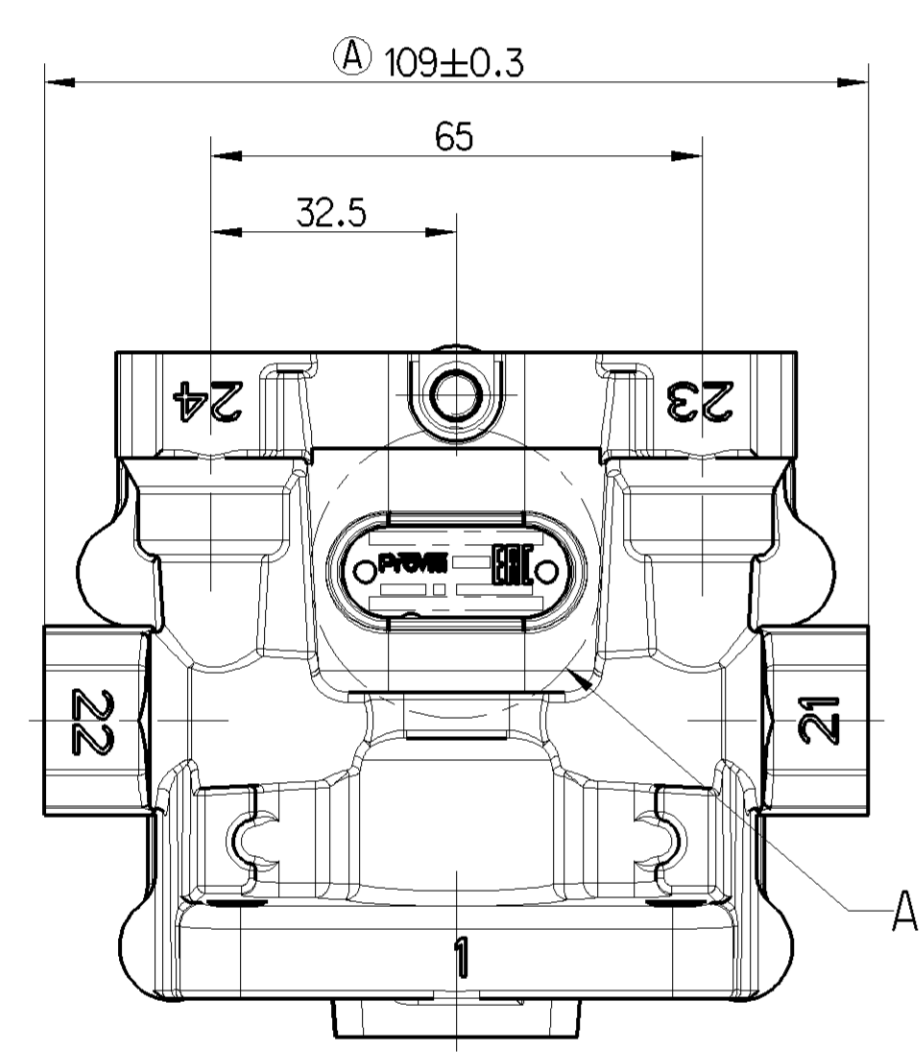


EXTERNAL SURFACE	
I	-
II	JED-256-4
III	JED-259



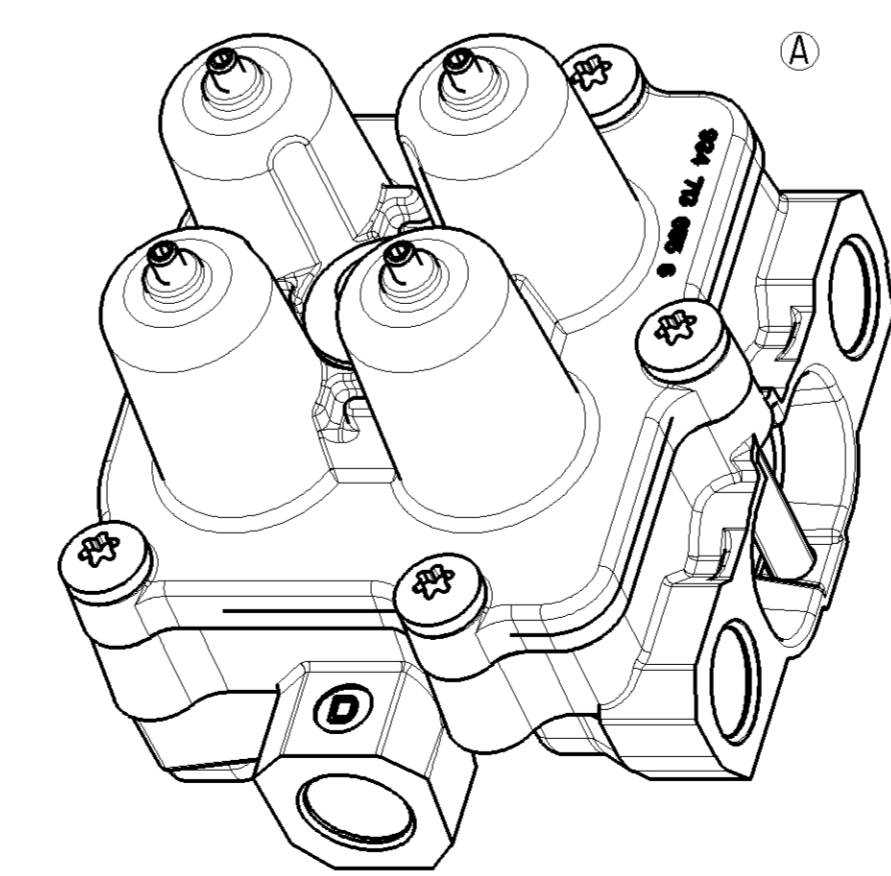
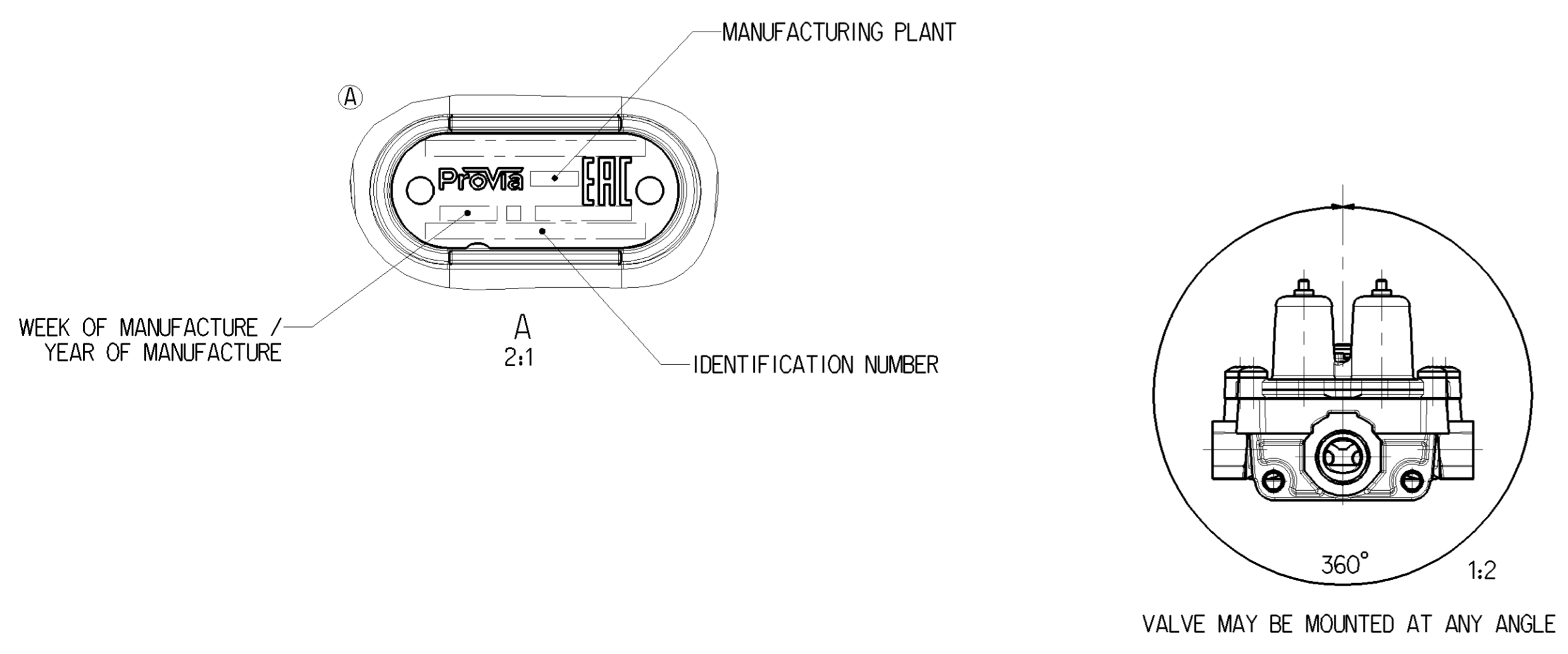
PORTS		21	22	23	24
OPENING PRESSURE DYNAMIC	BAR	6.5 ⁺⁰ _{-0.3}	6.5 ⁺⁰ _{-0.3}	② 7.4 ⁺⁰ _{-0.3}	6.5 ⁺⁰ _{-0.3}
CLOSING PRESSURE DYNAMIC	BAR	> 4.5			
CLOSING PRESSURE STATIC AT FAILURE OF CIRCUIT....	BAR	0	> 4.5	①	> 4.5
		> 4.5	0	> 4.5	> 4.5
		> 4.5	> 4.5	0	> 4.5
		> 4.5	> 4.5	> 4.5	0

① ② OPENING PRESSURE 23 TO EXCEED HIGHEST ACTUAL OPENING PRESSURE OF OTHER CIRCUITS BY >=0.1 BAR.



PORT	FUNCTION	THREAD	TORQUE
1	SUPPLY	M22x1.5-6H x16 FULL THREAD JED-152	55 Nm MAX
21	CIRCUIT 1	M16x1.5-6H x13 FULL THREAD JED-152	35 Nm MAX
22	CIRCUIT 2	M16x1.5-6H x13 FULL THREAD JED-152	35 Nm MAX
23	CIRCUIT 3	M16x1.5-6H x13 FULL THREAD JED-152	35 Nm MAX
24	CIRCUIT 4	M16x1.5-6H x13 FULL THREAD JED-152	35 Nm MAX

MEDIUM	AIR
THERMAL RANGE OF APPLICATION	-40°C...+90°C
SERVICE PRESSURE	13 bar MAX



General Specification: JED-334-1 - Size ISO 14405 LP		Copyright WABCO®	
Further Technical Data: PRO1220030		Date	Signature
Doc. Code: 035	Sheet: 1 To 3	2018-05-11	Marcinkiewicz
General Tolerances JED-261		Checked: Pawlowski	
Range of Nominal Dimensions (± mm)		Expert: Marcinkiewicz	
	> 50 > 180 > 400		
Class 1)	± 0.5 ± 1.0 ± 1.5 ± 2.0	Mass	Scale
Fine		0.658	1:1 (1:2)
Medium	X 1.0 2.0 3.0 4.0 ±3°	Size	CAD System
Coarse	2.0 3.5 5.0 6.5	A 1	CREO
Tapped Holes acc. JED-152		Material No. Date of first issue: 2017-10-30	
1) Tolerance Class Applied Crossmarked		ECH-No.	Revision Techn. Resp.
		-	10 x A 5120_AM

Tutti i diritti sono riservati. È vietata espressamente la ristampa o l'uso non autorizzato senza permesso scritto dalla WABCO. Tutti i diritti sono riservati. È vietata espressamente la ristampa o l'uso non autorizzato senza permesso scritto dalla WABCO.