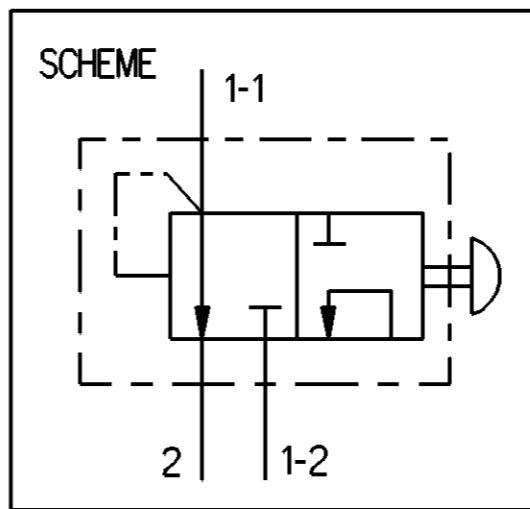
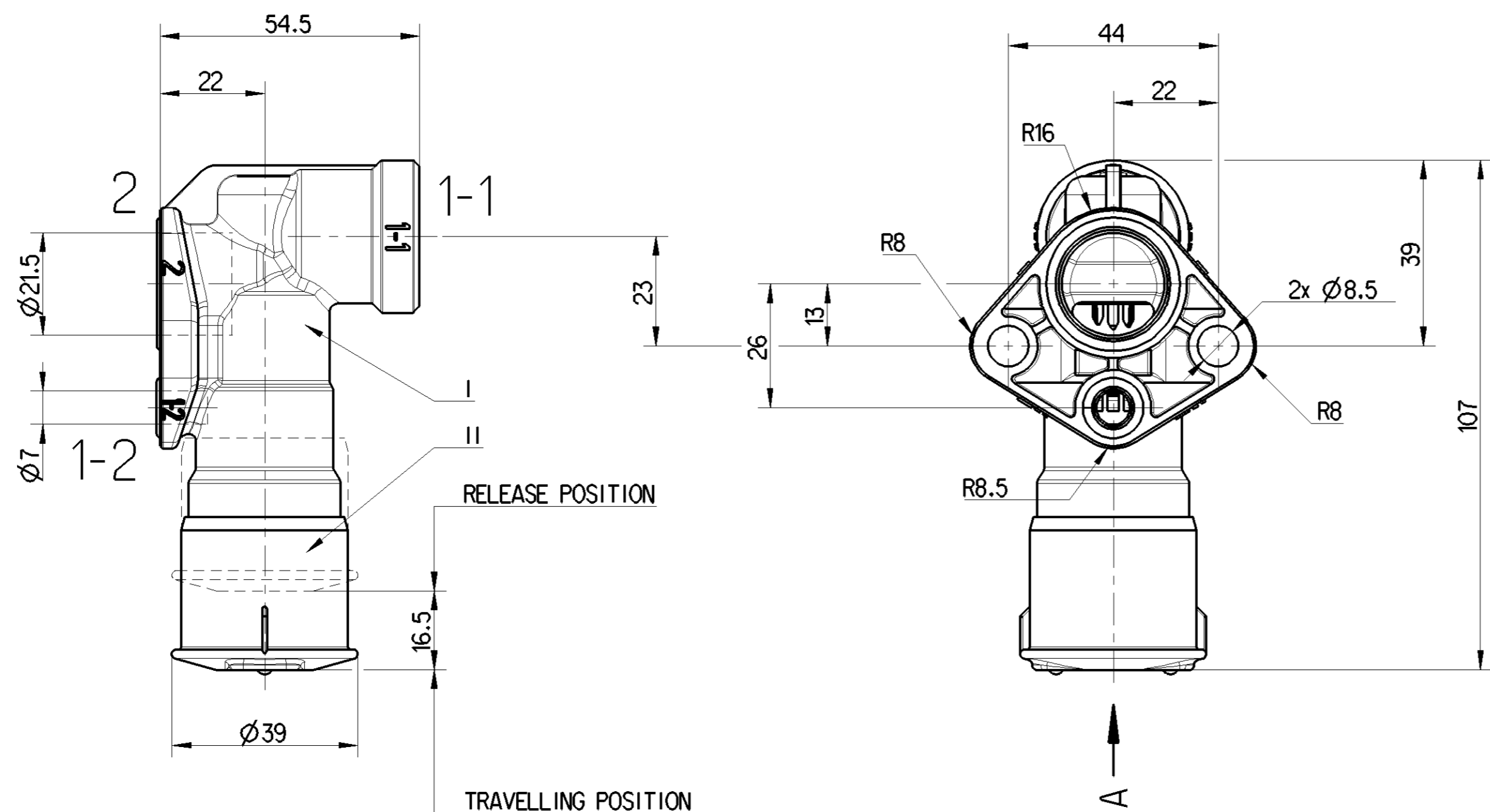


Non e' permesso copiare, o terzi o riprodurre questo documento, ne utilizzare il contenuto o renderlo comunque noto a terzi senza autorizzazione esplicita. Ogni infrazione costituisce un evidente abuso e comportera il risarcimento dei danni subiti. E' fatta riserva di tutti i diritti derivanti da brevetti o modelli.

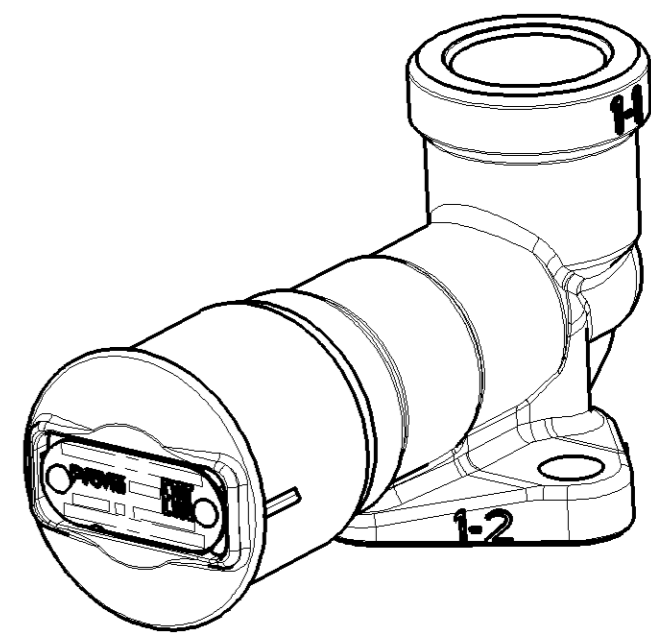
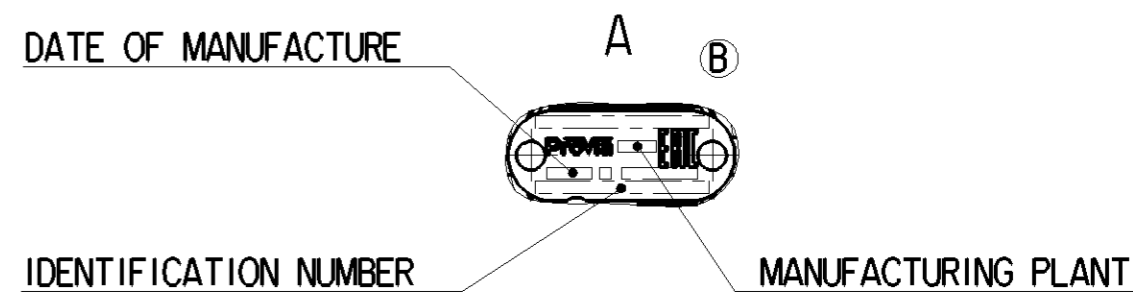
Copying of this document and giving it to others and the use or communication of the contents thereof, are forbidden without express authority. Contravention of this restriction will constitute an evident abuse and result in a liability to the payment of damages. All rights are reserved in the event of the grant of patent or registration of a utility model or design. This document is the subject of copyright.

Tout e reproduction ou reproduction de ce document, toute exploitation ou communication de son contenu sont interdites, sauf autorisation expresse. Tout manquement a cette regle constitue un abus evident et expose son auteur au versement de dommages et interets. Tous droits de proprie'te industrielle reserves, notamment en matiere de brevets et de modeles.

Wiedergabe sowie Vervielfaeltigung dieser Unterlagen, Verwertung und Mitteilung ihres Inhalts nicht gestattet, soweit nicht ausdru'cklich ansonsten, zu wiederholenden stellen eindeutigen Missbrauch dar und verpflichtet zu Schadensersatz. Alle Rechte hier den Fall der Patenterteilung oder Gebrauchsmuster-Eintragung vorbehalten.



MAX. WORKING PRESSURE		8.5 bar	
THERMAL RANGE OF APPLICATION		-40° ... +80°C	
TORQUE FOR CONNECTIONS		34 Nm MAX.	
1-1	SUPPLY	2	SPRING BRAKE CYLINDER
1-2	AIR RESERVOIR	MEDIUM :	AIR
WORKING POSITION: UNIMPORTANT EXCEPT EXHAUST AT THE TOP			



	MATERIAL	PROTECTION
I	JED-029M3 (ALUMINUM)	JED-259
II	JED-005M2/3 (POM) COLOR: BLACK (B)	-

General Specification: JED-334-1, Size ISO 14405 LP		Copyright WABCO®		ProVia	
Further Technical Data: PRO5270020		Date _____ Signature _____			
Doc. Code: 035 Sheet: 1 To 3		2018-10-11 Drawn Kolkowski		TRAILER RELEASE VALVE	
General Tolerances JED-261		2018-10-12 Checked Marcinkiewicz			
Range of Nominal Dimensions (± mm)		Expert Marcinkiewicz		Material No. _____	
Class 1)	≤ 50 > 50 ≤ 180 > 180 ≤ 400 > 400	Mass Scale		Date of first issue: 2017-07-11	
Fine	X 0.5 1.0 1.5 2.0	0.132 KG 1:1		Doc. Code Language Sheet	
Medium	1.0 2.0 3.0 4.0	Size CAD System		005 EN 1/1	
Coarse	2.0 3.5 5.0 6.5	A 2 CREO		Replacement for	
Tapped Holes acc. JED-152		ECN-No. 177205 Revision 2 x B Techn. Resp. 5320_AM		100mm	
1) Tolerance Class Applied Crossmarked					