

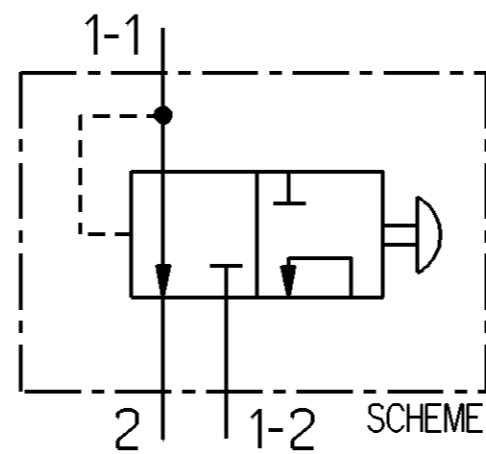
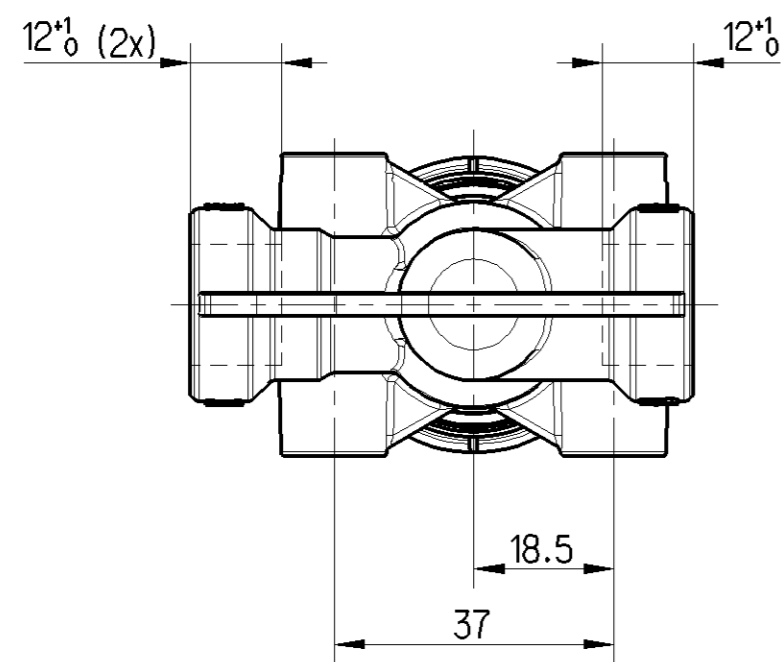
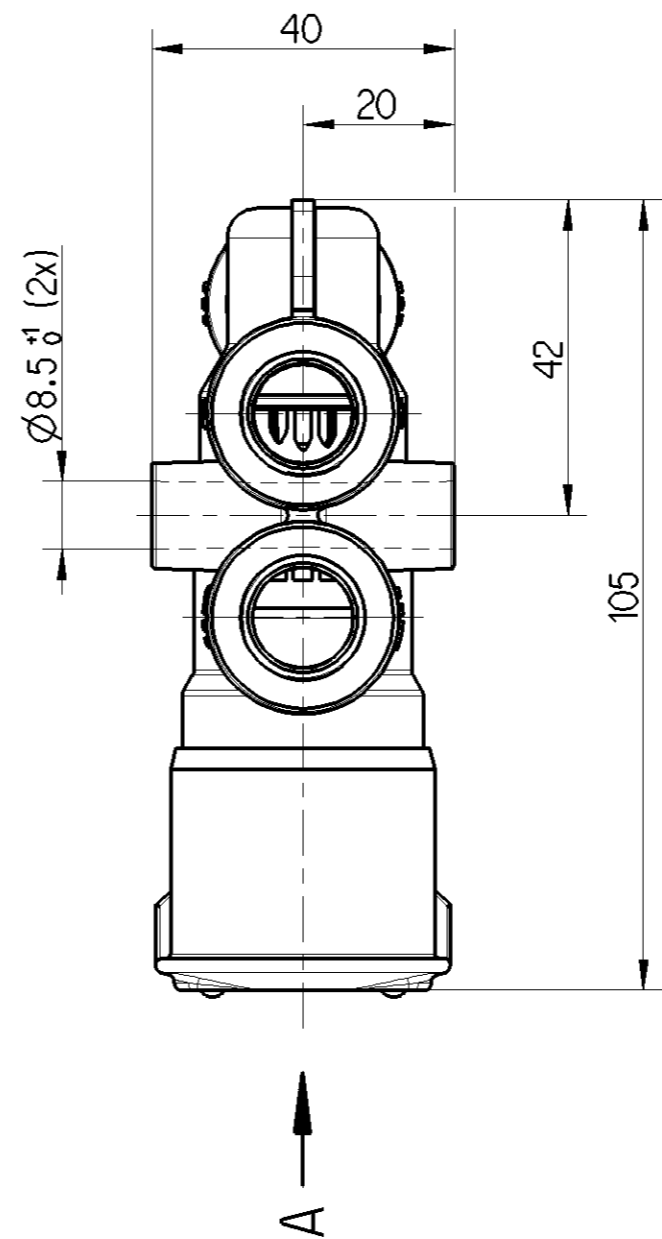
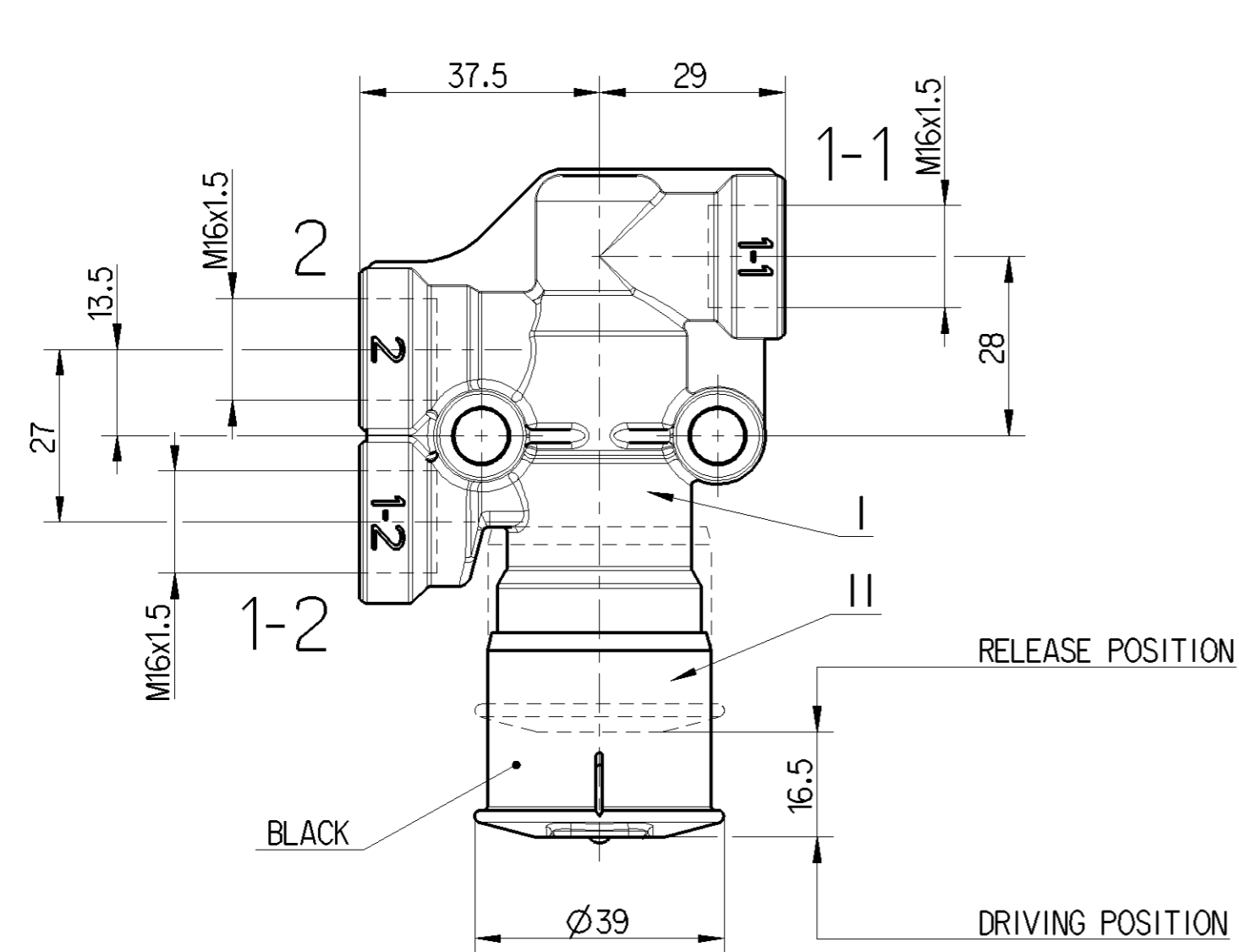
Non e' permesso copiare, o terzi o riproduzione di questo documento, ne utilizzare il contenuto o renderlo comunque noto o terzi senza autorizzazione esplicita. Ogni infrazione costituisce un evidente abuso e comportera il risarcimento dei danni subiti. E' fatta riserva di tutti i diritti derivanti da brevetti o modelli.

Copying of this document and giving it to others and the use or communication of the contents thereof, are forbidden without express authority. Contravention of this restriction will constitute an evident abuse and result in a liability to the payment of damages. All rights are reserved in the event of the grant of patent or registration of a utility model or design. This document is the subject of copyright.

Tout e reproduction ou reproduction de ce document, toute exploitation ou communication de son contenu sont interdites, sauf autorisation expresse. Tout manquement a cette regle constitue un abus evident et expose son auteur au versement de dommages et interets. Tous droits de proprie'te industrielle reserves, notamment en matiere de brevets et de modeles.

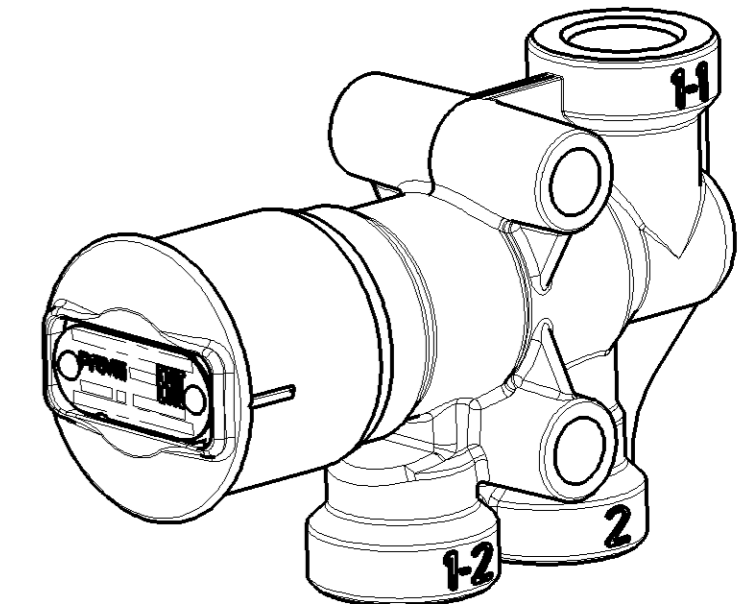
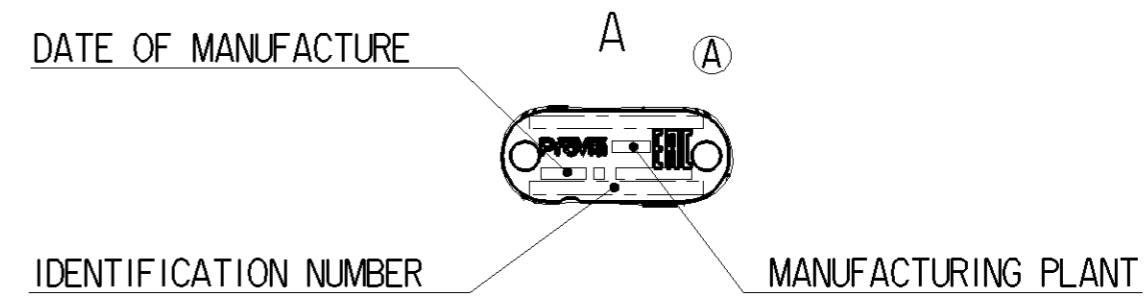
Wiederholte sowie Verletzung dieser Urheber-Verwertung und Mitteilungsrechte ist nicht gestattet, soweit nicht ausdrücklich ansonsten, wiederholte, sowie Verletzung dieser Urheber-Verwertung und Mitteilungsrechte ist nicht gestattet, soweit nicht ausdrücklich ansonsten.

Alle Rechte hier den Fall der Patenterteilung oder Gebrauchsmuster-Eintragung vorbehalten.



MAXIMUM WORKING PRESSURE	P1 = 8,5 bar
THERMAL RANGE OF APPLICATION	-40°C ... +80°C
MINIMUM NOMINAL DIAMETER	(1-1)---->(2) (1-2)---->(2) Ø8 Ø6
MEDIUM	AIR
TORQUE FOR CONNECTIONS	34 Nm MAX.

WORKING POSITION:	
1-1	SUPPLY
1-2	AIR RESERVOIR
2	RELAY EMERGENCY VALVE



	MATERIAL	PROTECTION
I	JED-029M3 (ALUMINUM)	JED-259
II	JED-005M2/3 (POM) COLOR: BLACK (A)	-

General Specification: JED-334-1, Size ISO 14405 LP		Copyright WABCO®		<b>ProVia</b>	
Further Technical Data: PRO5270040		Date	Signature	TRAILER RELEASE VALVE	
Doc. Code: 035	Sheet: 1 To 3	2018-10-12	Kolkowski		
General Tolerances JED-261		Checked	Marcinkiewicz		
Range of Nominal Dimensions (± mm)		Expert			
Class	1) ≤ 50 > 50 ≤ 180 > 180 ≤ 400 > 400	Marcinkiewicz			
Fine	X 0.5 1.0 1.5 2.0	Mass	Scale	Material No.	Date of first issue: 2017-09-11
Medium	1.0 2.0 3.0 4.0	0.150	1:1	PRO 527 004 0	Doc.Code Language Sheet
Coarse	2.0 3.5 5.0 6.5	Size	CAD System	005 EN 1/1	Replacement for
Tapped Holes acc. JED-152		A 2	CREO	ECN-No. 177205	Revision 2 x A
1) Tolerance Class Applied Crossmarked				Techn. Resp. 5320_AM	