

A

B

C

D

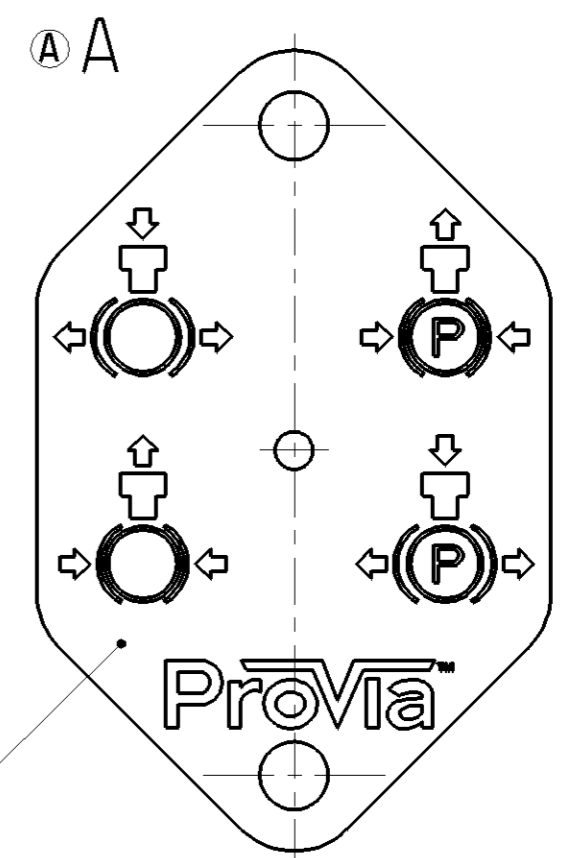
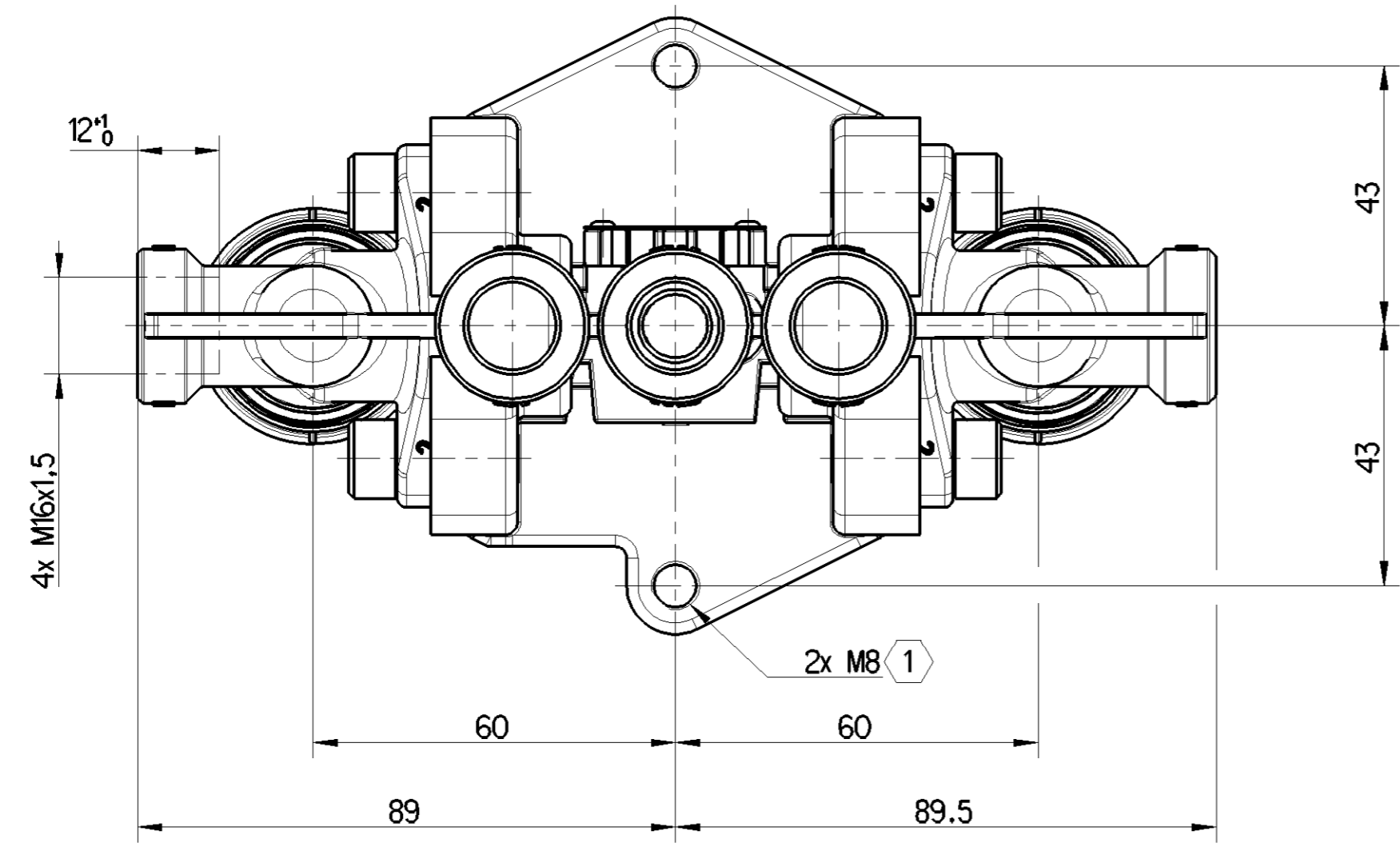
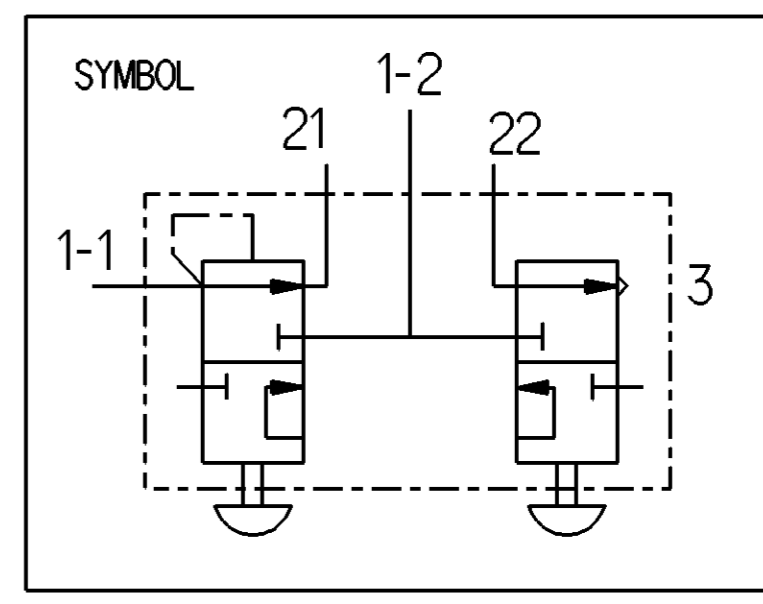
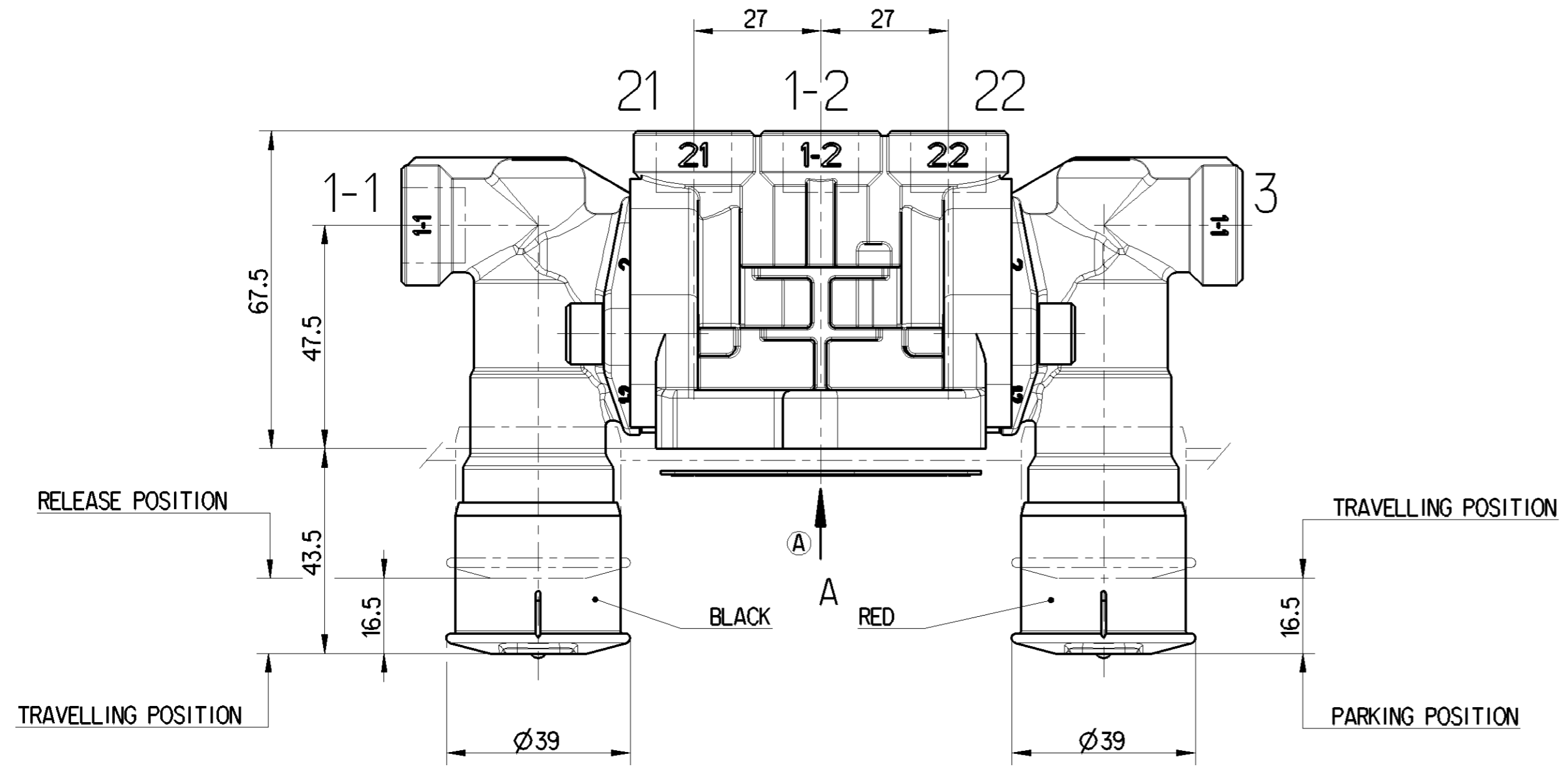
E

F

G

H

MAXIMUM WORKING PRESSURE	8.5 bar
THERMAL RANGE OF APPLICATION	-40°C ...+80°C
TORQUE FOR CONNECTIONS	34Nm MAX.
1-1 SUPPLY	1-2 AIR RESERVOIR
21 RELAY EMERGENCY VALVE	22 SPRING BRAKE CYLINDER
3 AIR EXHAUST	MEDIUM: AIR
WORKING POSITION: UNIMPORTANT EXCEPT EXHAUST AT THE TOP	



1 TORQUE 10Nm MAX.

General Specification: JED-334-1, Size ISO 14405 LP		Copyright WABCO®		ProVia	
Further Technical Data: PRO5270060		Date	Signature	TRAILER RELEASE VALVE	
Doc. Code: 035	Sheet: 1 To 3	2018-02-28	Marcinkiewicz	2017-09-13	
General Tolerances JED-261		Checked	Lisztwan	Doc. Code Language Sheet	
Range of Nominal Dimensions (± mm)		Expert		005 EN 1/1	
Class 1)	≤ 50 > 50 ≤ 180 > 180 ≤ 400 > 400	Material No.		Date of first issue: 2017-09-13	
Fine	0.5 1.0 1.5 2.0	Mass	Scale	PRO 527 006 0	
Medium	1.0 2.0 3.0 4.0	0.624 kg	1:1	ECN-No. Revision Techn. Resp.	
Coarse	2.0 3.5 5.0 6.5	A 2	CREO	176498	2 x A 5320_AM
Tapped Holes acc. JED-152		CAD System		Replacement for	
1) Tolerance Class Applied Crossmarked		A 2 CREO		100mm	

Non e permesso, concesso o terzi o riproduzione questo documento, ne utilizzare il contenuto o renderlo comunque noto a terzi senza autorizzazione esplicita. Ogni infrazione costituisce un evidente abuso e comporta il risarcimento dei danni subiti. E' fatta riserva di tutti i diritti derivanti da brevetti o modelli.
 Coping of this document and giving it to others and the use or communication of the contents thereof, are forbidden without express authority. Contravention of this restriction will constitute an evident abuse and result in a liability to the payment of damages. All rights are reserved in the event of the grant of patent or registration of a utility model or design. This document is the subject of copyright.
 Toute communication ou reproduction de ce document, toute exploitation ou communication de son contenu sont interdites, sauf autorisation expresse. Tout manquement a cette regle constitue un abus evident et expose son auteur au versement de dommages et interets. Tous droits de proprieete industrielle reserves, notamment en matiere de brevets et de modesles.
 Weitergabe sowie Vervielfaltigung dieser Unterlagen, Verwertung und Mitteilung ihres Inhalts nicht gestattet, soweit nicht ausdrücklich ansonsten, weitergegeben, stellen eine offensichtliche Missbrauch dar und verpflichten zu Schadensersatz. Alle Rechte hier, den Fall der Patentierung oder Gebrauchsmuster-Eintragung vorbehalten.

dte: PRO5270060_005 / Version: -15 / shtk: Approved / mfi: PRO5270060_002