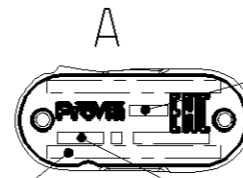


MATERIAL AND SURFACE PROTECTION	
I	AL JED-029M1 / JED-259
II	FE JED-021M1 / JED-256-4
III	FE JED-051M1 / JED-739-4
IV	POM JED-005MO

ProVia IDENTIFICATION NUMBER
ProVia TEILE NUMMER
NUMERO D'IDENTIFICATION ProVia
NUMERO D'IDENTIFICAZIONE



MANUFACTURING PLANT
PRODUKTIONSSTAETTE
LIEU DE FABRICATION
LUOGO DI FABRICAZIONE

WEEK / YEAR OF MANUFACTURE
FERTIGUNGSWOCHE / JAHR
SEMAINE / ANNEE DE FABRICATION
SETTIMANA / ANNO DELLA FABRICAZIONE

MAX. PERMISSIBLE PRESSURE (TEMPORARY WITHOUT FUNCTION):
MAXIMAL ZULAESSIGER DRUCK (KURZZEITIG OHNE FUNKTION): $p_e \text{ max.} = 20 \text{ bar}$
PRESSION MAXIMALE ADMISSIBLE (DE COURTE DUREE SANS FONCTION):
MASSIMA PRESSIONE AMMISSIBILE (BREVE TEMPO SOLO SENZA FUNZIONE):

MEDIUM: AIR
MEDIUM: LUFT
FLUIDE: AIR
FLUIDO: ARIA

THERMAL RANGE OF APPLICATION:
THERMISCHER ANWENDUNGSBEREICH:
GAMME D'APPLICATION THERMIQUE:
CAMPO DI APPLICAZIONE TERMICA: $-40^\circ\text{C} \dots +80^\circ\text{C}$

NOMINAL DIAMETER MIN.:
MIN. FREIER DURCHGANG:
DIAMETRE NOMINAL MIN.: $\varnothing 10 \text{ mm} (78.5 \text{ mm}^2)$
DIAMETRO NOMINALE MIN.:

INSTALLATION POSITION AS DRAWN:
EINBAULAGE WIE GEZEICHNET:
POSITION D'INSTALLATION SUIVANT DESSIN:
POSIZIONE DI MONTAGGIO COME DISEGNATO: $\pm 45^\circ$

INLET PRESSURE:
1= EINGESTEUERTER DRUCK:
PRESSION D'ALIMENTATION: $p_1 = 12 \text{ bar}$
PRESSIONE DI ALIMENTAZIONE:

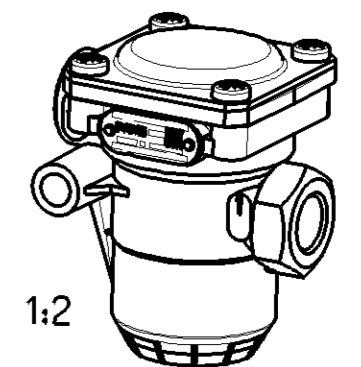
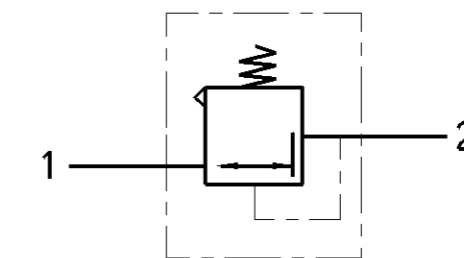
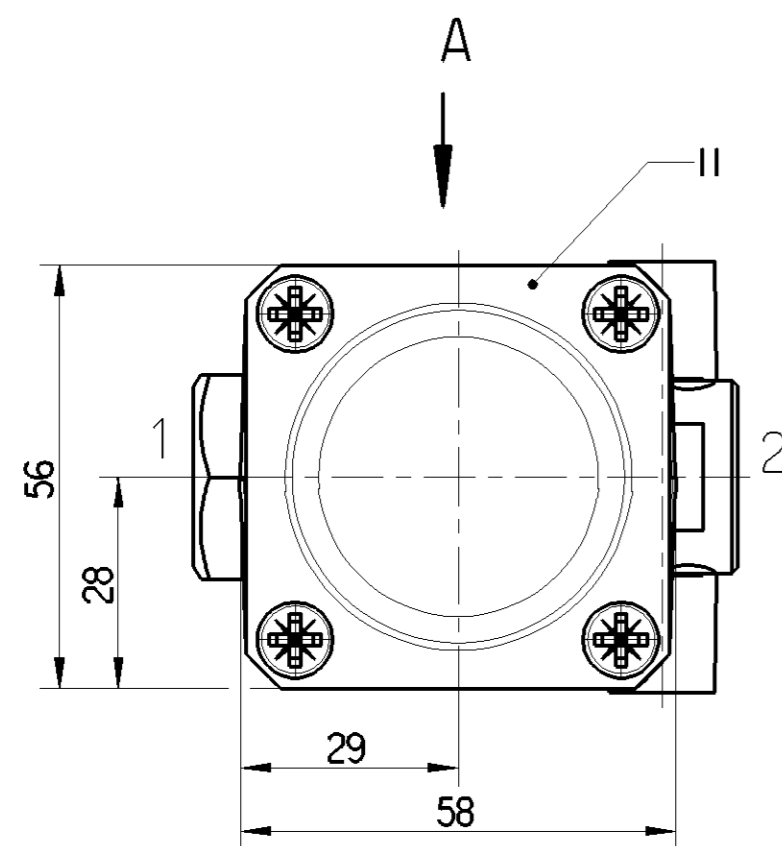
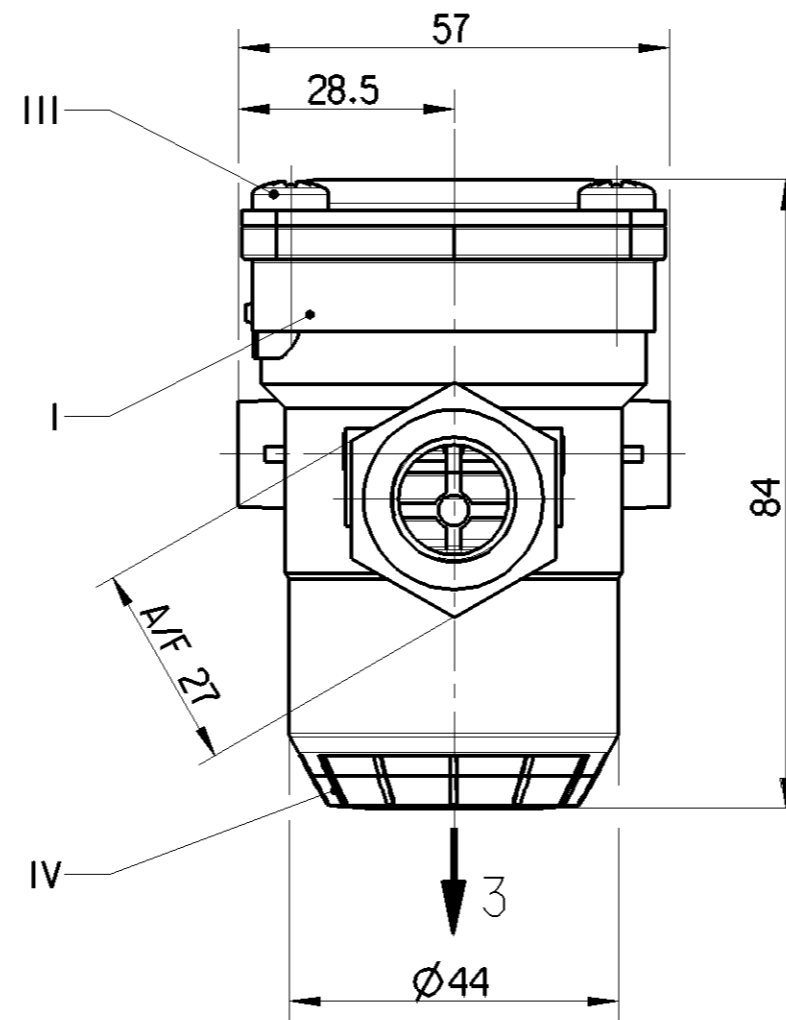
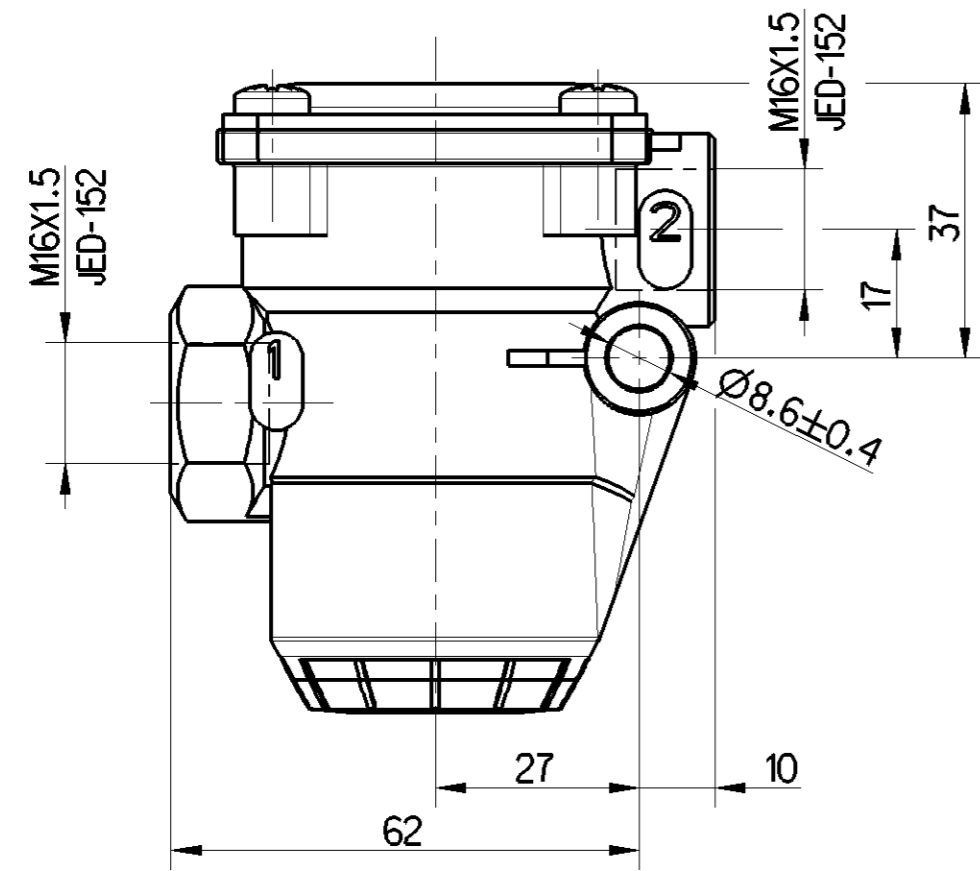
DELIVERY PRESSURE
2= AUSGESTEUERTER DRUCK
PRESSION DELIVREE
PRESSIONE EROGATA

PRESSURE LIMITATION:
DRUCKBEGRENZUNG:
LIMITATION DE PRESSION:
LIMITAZIONE DELLA PRESSIONE: $p_2 = 8 +0.3/-0.1 \text{ bar}$

EXHAUST
3= ENTLUEFTUNG
ECHAPPEMENT
SCARICO

OPENING OF SAFETY VALVE
OEFFNUNG DES SICHERHEITSVENTILS
OUVERTURE DE LA SOUPEPE DE SECURITE
APERTURA DELLA VALVOLA DI SICUREZZA: $p_2 + 2.5 \text{ bar (MAX.)}$

TORQUE FOR CONNECTIONS:
ANZUGSMOMENT FUER EINSCHRAUBSTUTZEN:
COUPLE DE SERRAGE DES RACCORDS:
COPPIA DI SERRAGGIO DEI RACCORDI: $M16x1.5: M_{\text{max.}} = 34 \text{ Nm}$



General Specification: JED-334-1, Size ISO 14405 LP		Copyright WABCO®		ProVia	
Further Technical Data: PRO 643 031 0 (A)		Date	Signature	Date of first issue: 2019-06-03	
Doc. Code: 035	Sheet: 1 To 5	2019-10-31	Drawn: Kolkowski	Doc. Code Language Sheet	
General Tolerances JED-261		2019-10-31	Checked: Marcinkiewicz	005 ML 1/1	
Range of Nominal Dimensions (± mm)		Expert: Kolkowski		Replacement for	
Class 1)	≤ 50 > 50 > 180 > 400 > 400	Mass	Scale	ECN-No. Revision Techn. Resp.	
Fine	0.5 1.0 1.5 2.0	0.377	1:1 (1:2)	502818	1 x A 5160_AM
Medium	1.0 2.0 3.0 4.0	kg			
Coarse	2.0 3.5 5.0 6.5	Size	CAD System		
Tapped Holes acc. JED-152		A 2	CREO		
1) Tolerance Class Applied Crossmarked					

Non e permesso copiare o terzi o riprodurre questo documento, ne utilizzare il contenuto o renderlo comunque noto o terzi senza autorizzazione esplicita. Ogni infrazione costituisce un evidente abuso e comportera il risarcimento dei danni subiti. E' fatta riserva di tutti i diritti derivanti da brevetti o modelli.

Copying of this document and giving it to others and the use or communication of the contents thereof, are forbidden without express authority. Contention of this restriction will constitute an evident abuse and result in a liability to the payment of damages. All rights are reserved in the event of the grant of patent or registration of a utility model or design. This document is the subject of copyright.

Tout e permis de copier ou de reproduire ce document, ni de divulguer son contenu, ni de le rendre public, ni de le divulguer sans autorisation expresse. Tout manquement a cette regle constitue un abus evident et expose son auteur au versement de dommages et interets. Tous droits de proprieete industrielle reserves, notamment en matiere de brevets et de modesles.

Wskazane sowie wszelkie inne prawa, w tym prawa z dziedziny prawa patentowego, nie gwarantujemy, o ile nie jest to wyraźnie zaznaczone. Wszelkie naruszenia, w tym naruszenia praw patentowych, skutkujacych odpowiedzialnoscia prawną, nie wykluczają odpowiedzialności z tytułu naruszenia praw patentowych. Wszelkie prawa zastrzeżone.

dw: PRO6430830...005 / Version: -1 / status: Approved / mod: PRO6430830...A02