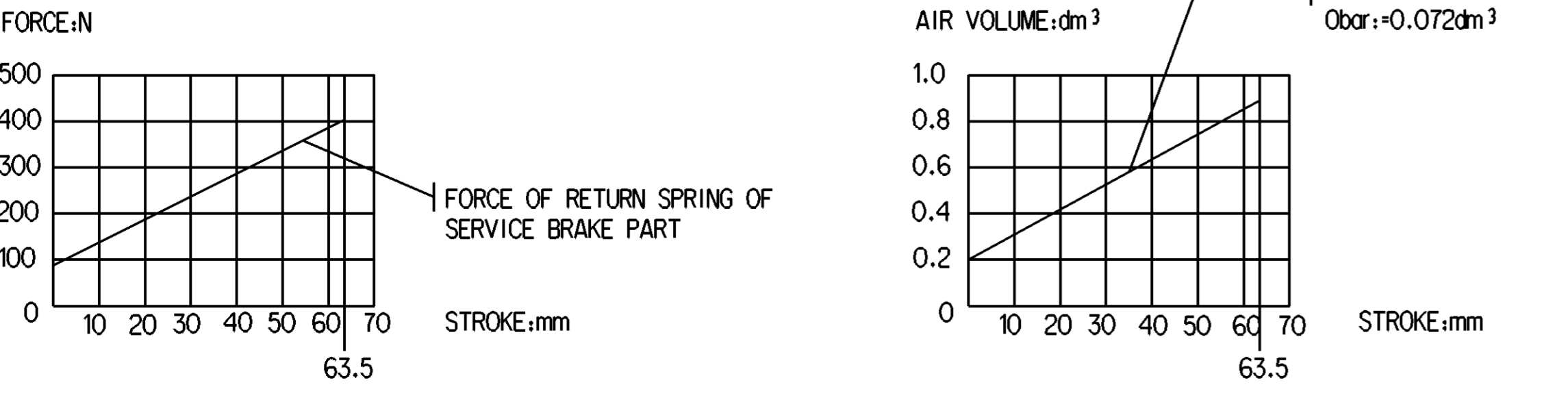
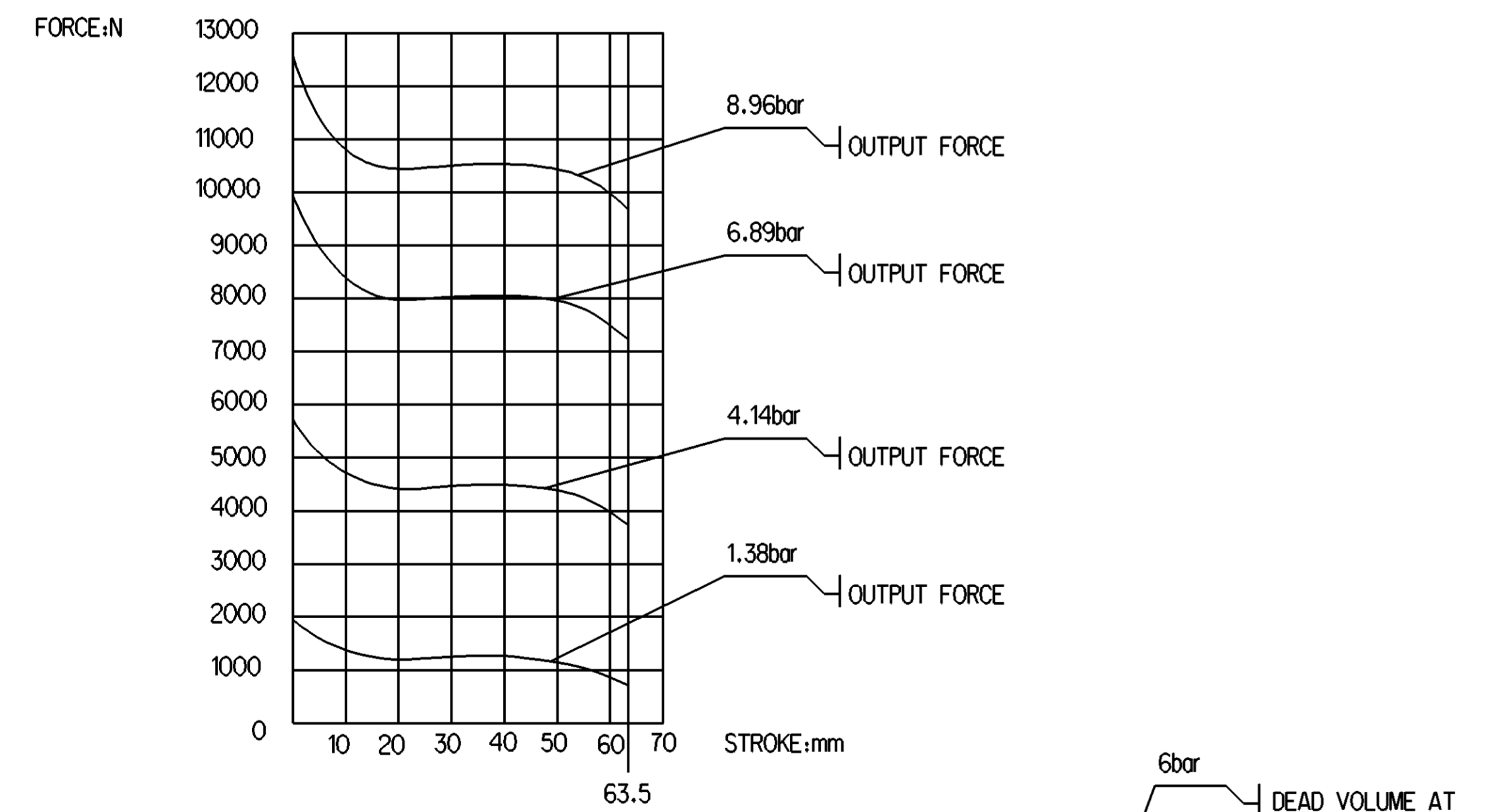
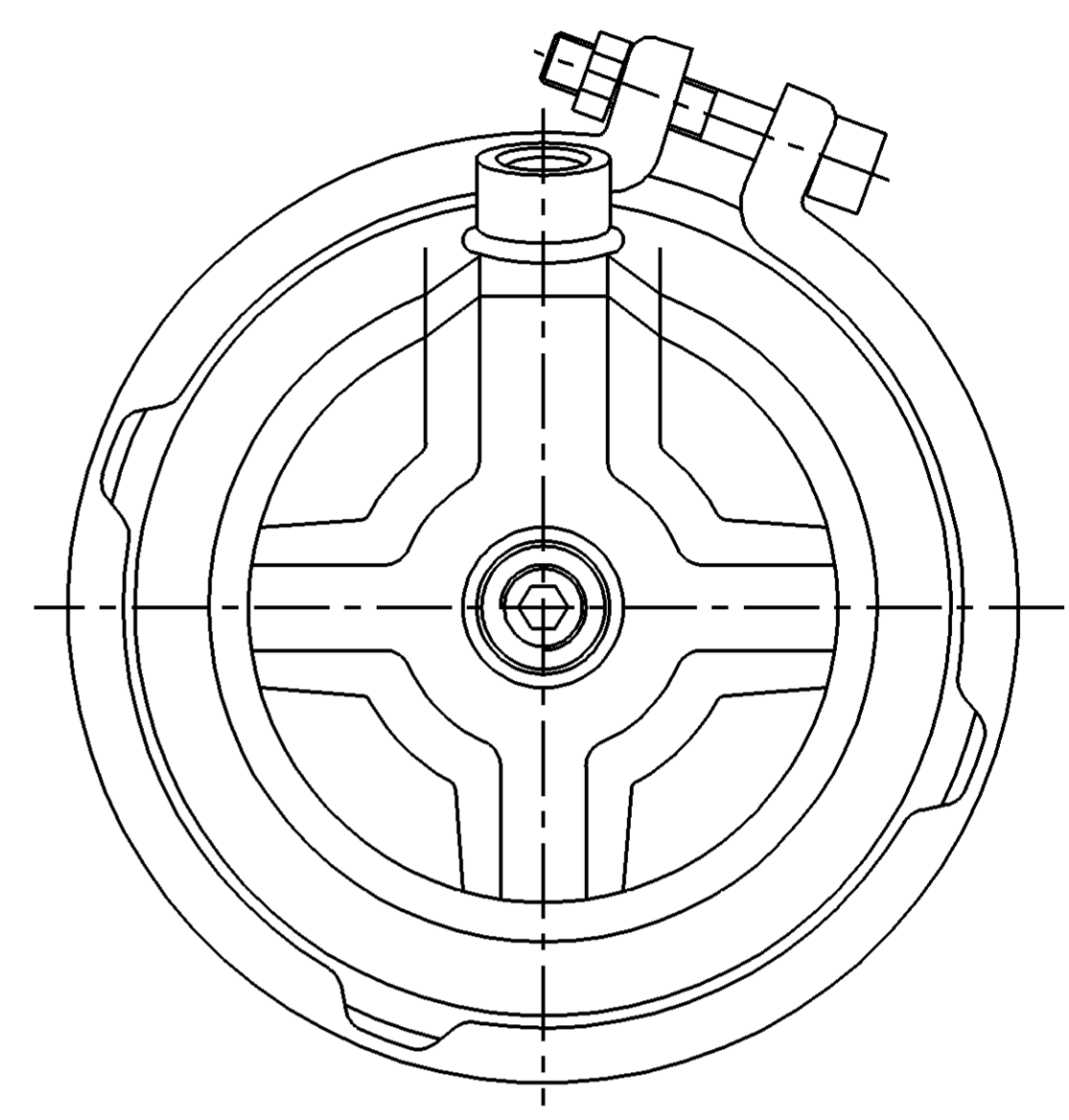
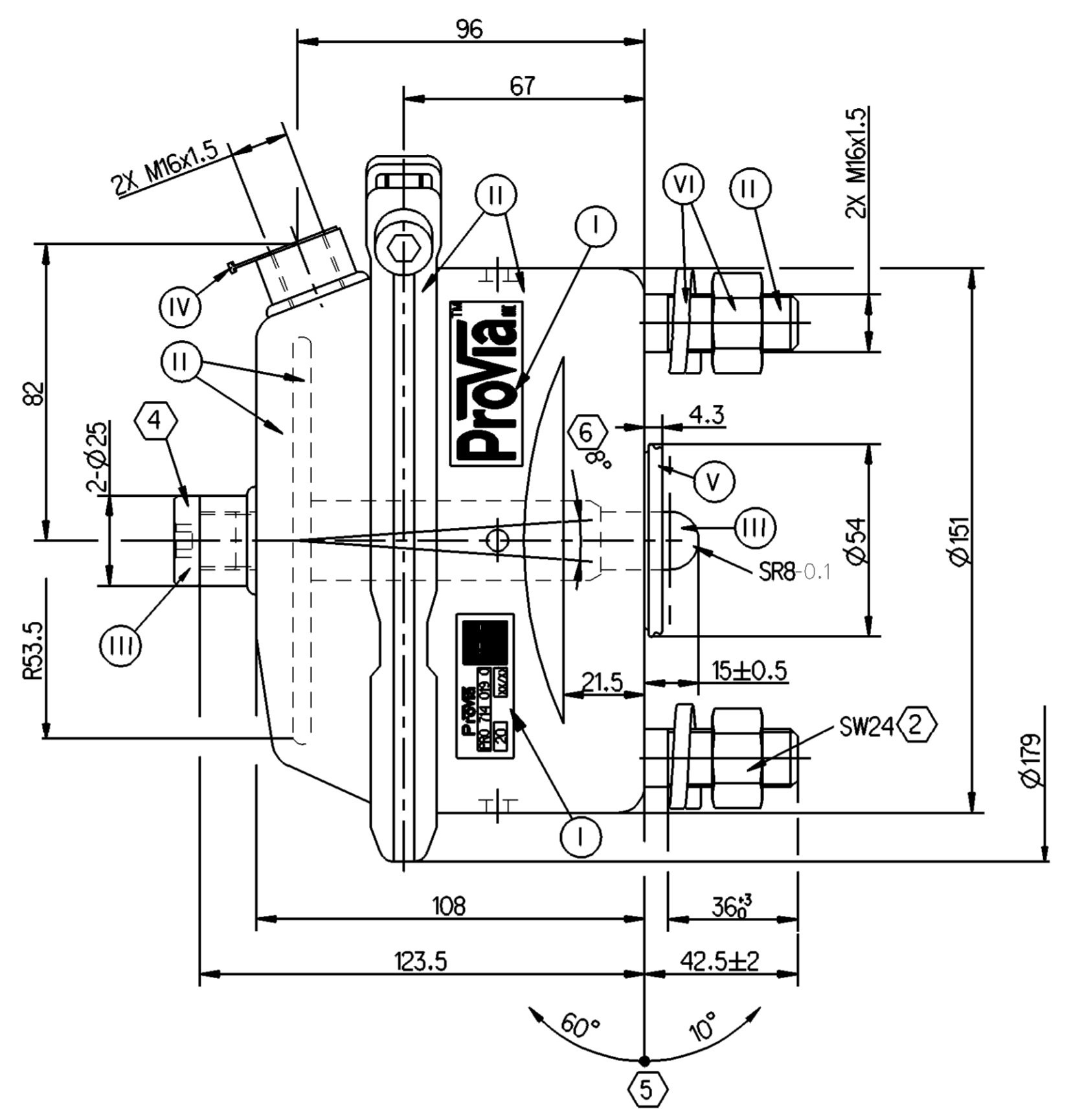
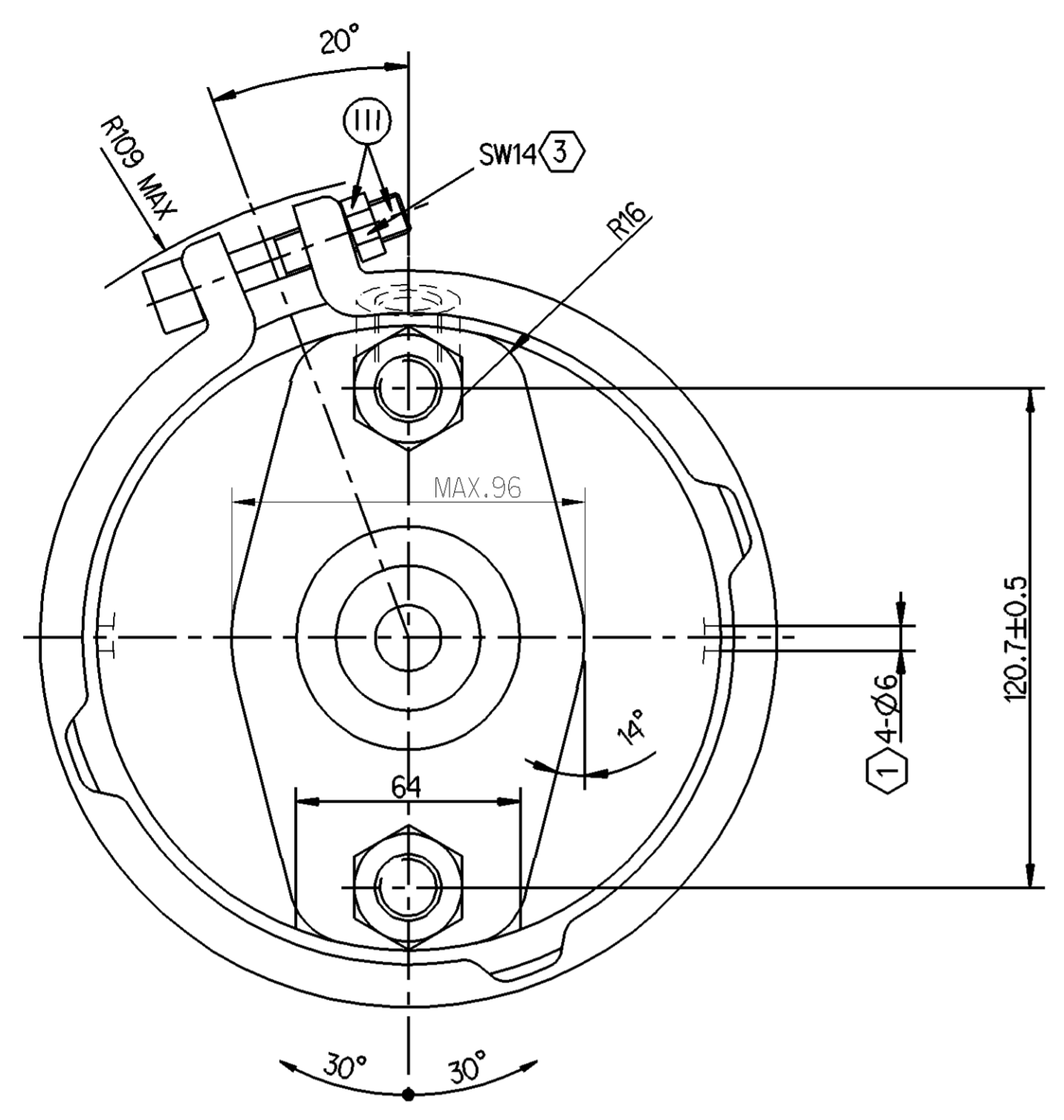


SURFACE PROTECTION	
I	STICKER
II	ELECTRO-PAINTING
III	DACROMET
IV	HARD POLYETHYLENE
V	RUBBER
VI	ZINC PLATED WITH CR6+ FREE

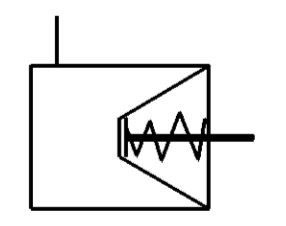
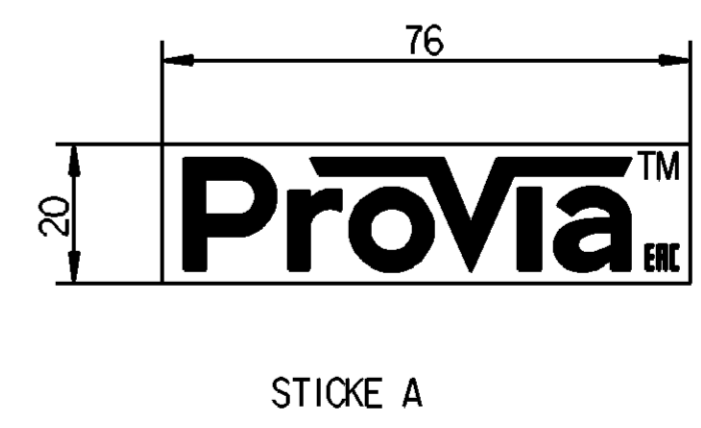
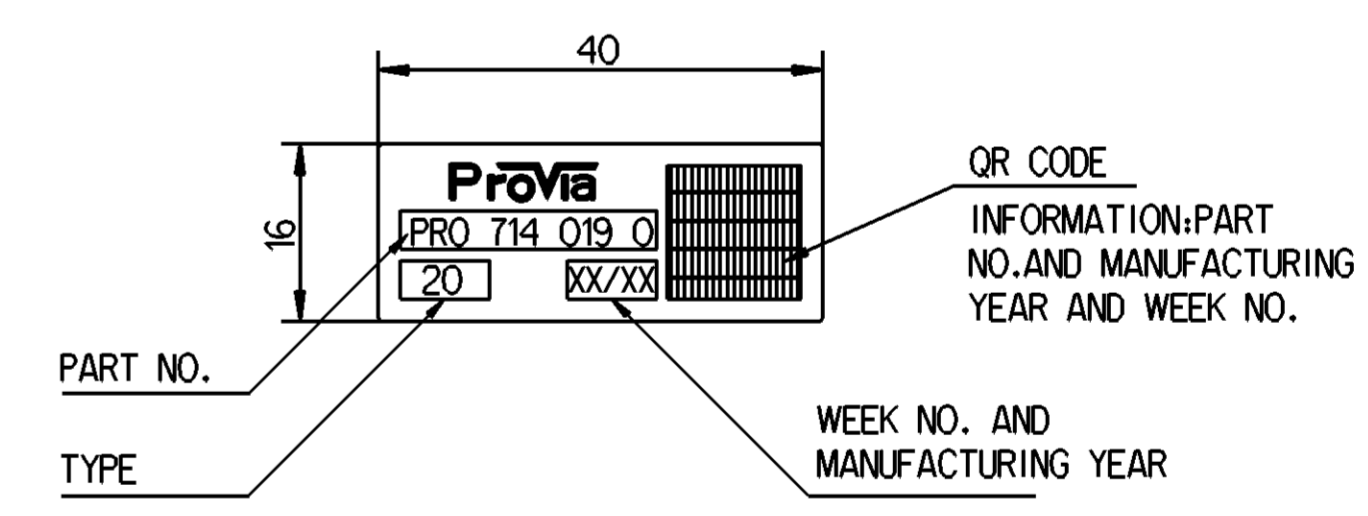
<-	SAFETY CHARACTERISTICS	0
<-2>	SIGNIFICANT CHARACTERISTICS	0



GRAPHS FOR INFORMATION ONLY

- ① OPEN BREATHER HOLE
- ② TORQUE: 220±20 Nm
- ③ TORQUE: ≥35Nm
- ④ TORQUE: 45±5Nm
- ⑤ ADMISSIBLE INSTALLATION POSITION
- ⑥ DEFLECTION: 8° MAX AT STROKE:0 mm

- TECHNICAL REQUIREMENT:REQUIREMENT:**
- STROKE: ≥63.5mm;
  - WORKING PRESSURE: Pmax. 10.2 bar, Temporarily 13 bar;
  - WORKING TEMPERATURE:-40°C...+80°C (-40°F...+176°F ) ;



General Specifications: JED-334-1 - Size ISO 14405 LP			Copyright WABCO®		ProVia	
Further Technical Data: PRO 714 710 0			Date	2019-05-29	Signature	Saravanan
Doc. Code: 035	Sheet:	01 To 05	Checked	2019-07-12	Expert	Yerachelvan
General Tolerances JED-261			Aswin kumar			
Range of Nominal Dimensions ( ± mm)			Material No.			
Class	1)	≤ 50	> 50	> 180	> 400	> 400
Tolerance			±3°			
Fine	0.5	1.0	1.5	2.0		
Medium	X	1.0	2.0	3.0	4.0	
Coarse		2.0	3.5	5.0	6.5	
Tapped Holes acc. JED-152			Ech.No.			
1) Tolerance Class Applied Crossmarked			Revision			
			Tech. Resp.			
			Replacement for			
			Date of first issue: 2019-07-12			
			Doc.Code Language Sheet			
			3.4 1:1 PRO 714 019 0 005 EN 1/1			
			Size CAD System			
			A 1 CREO			