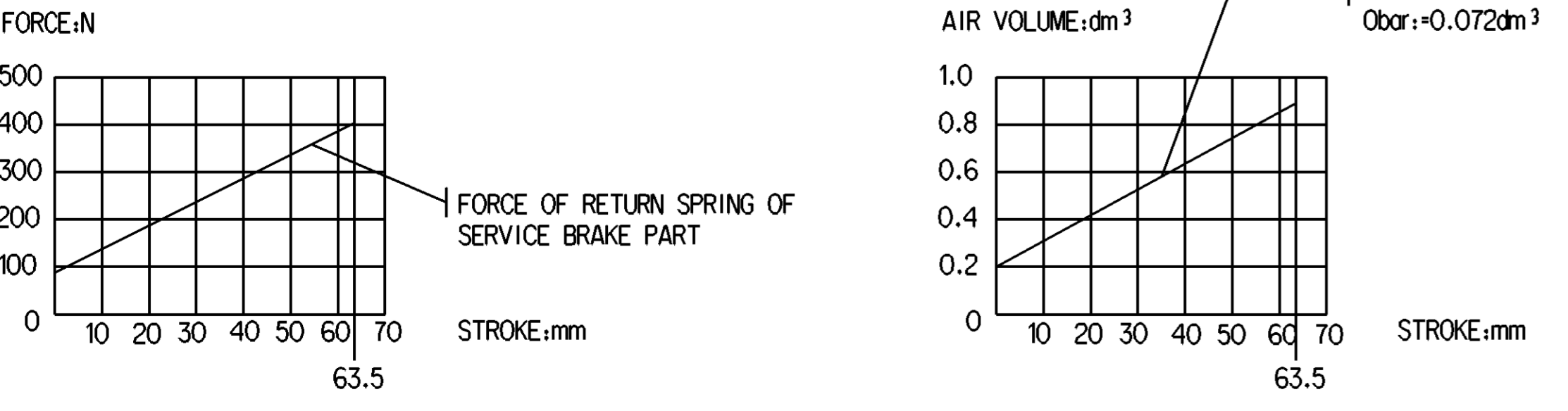
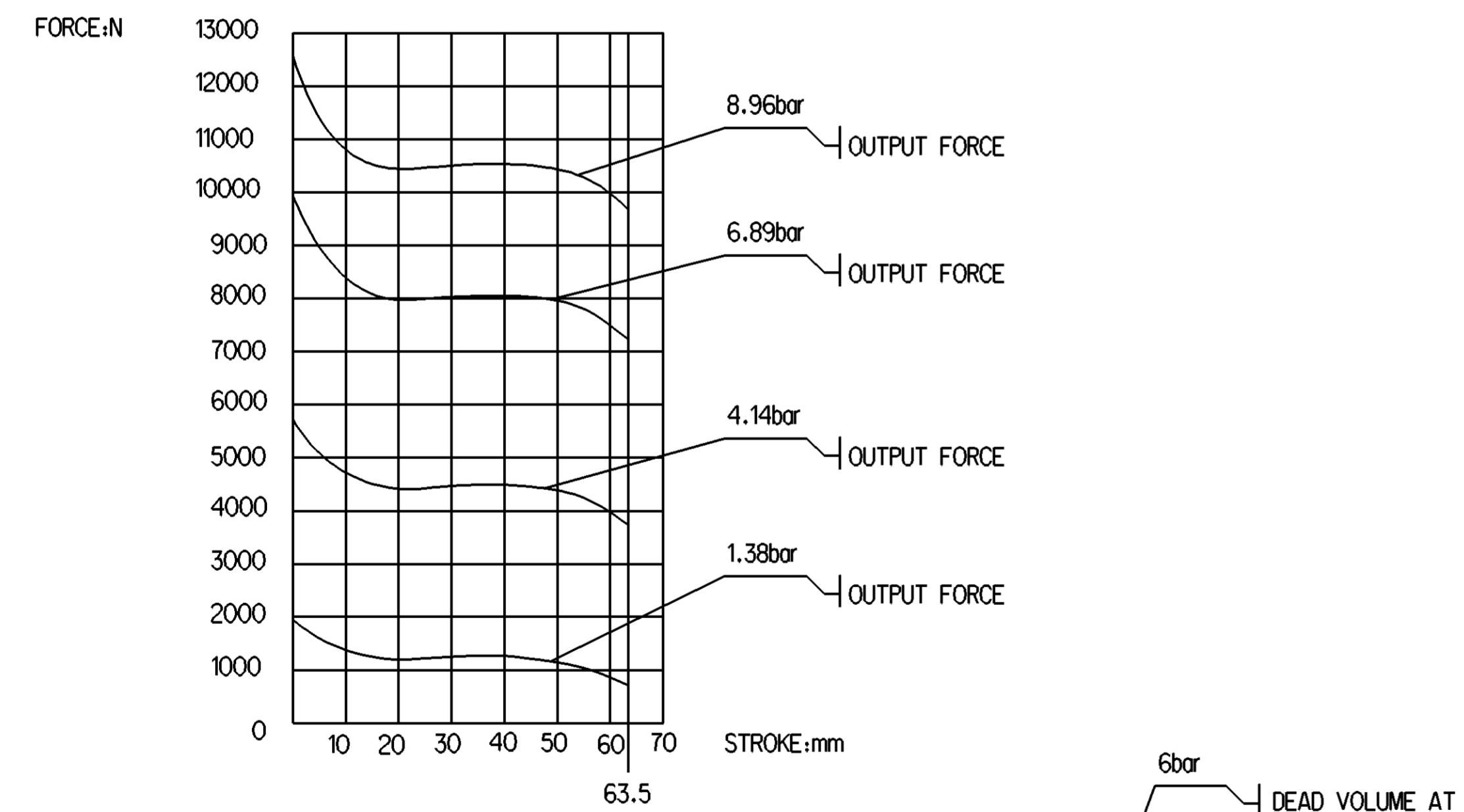
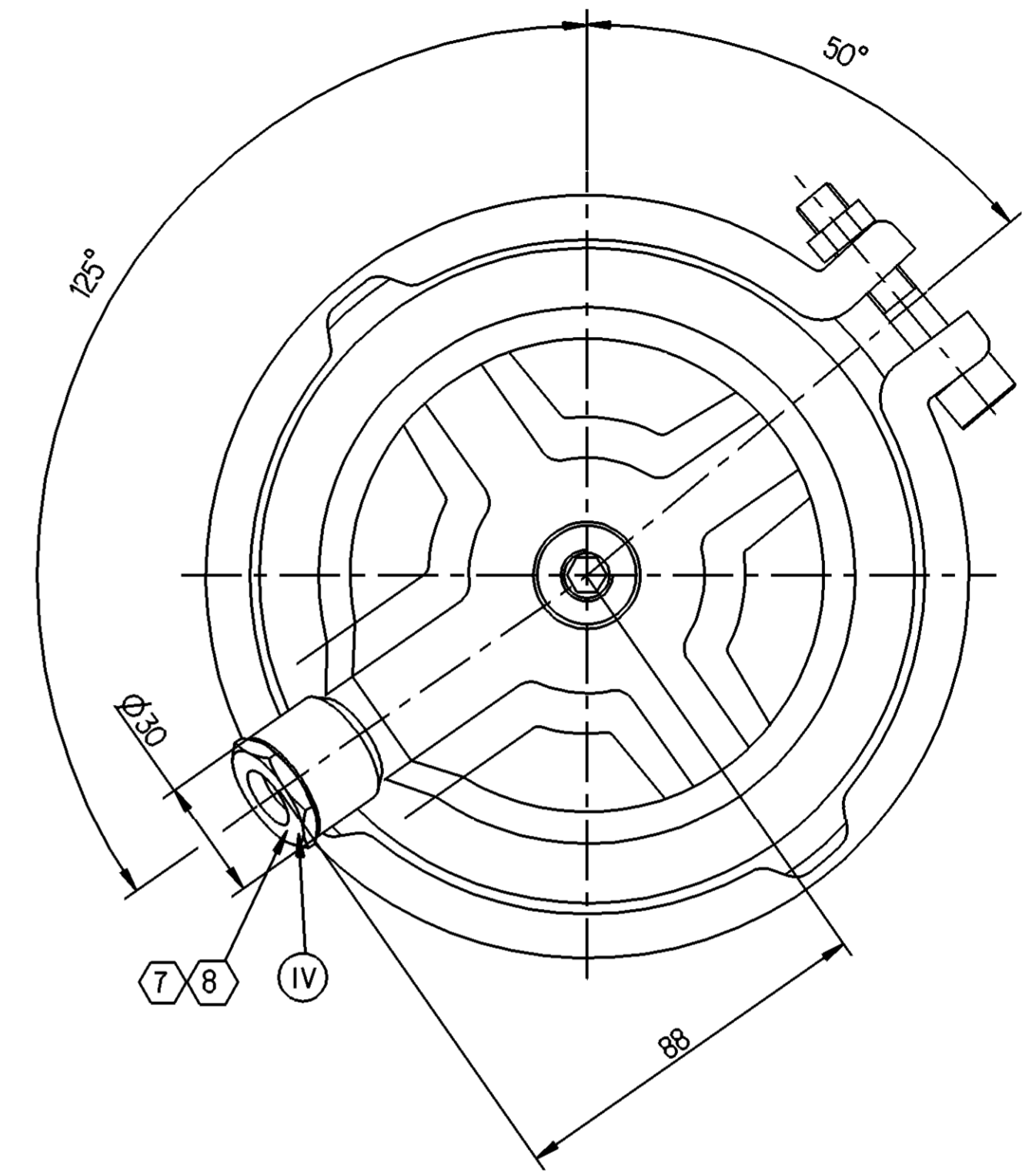
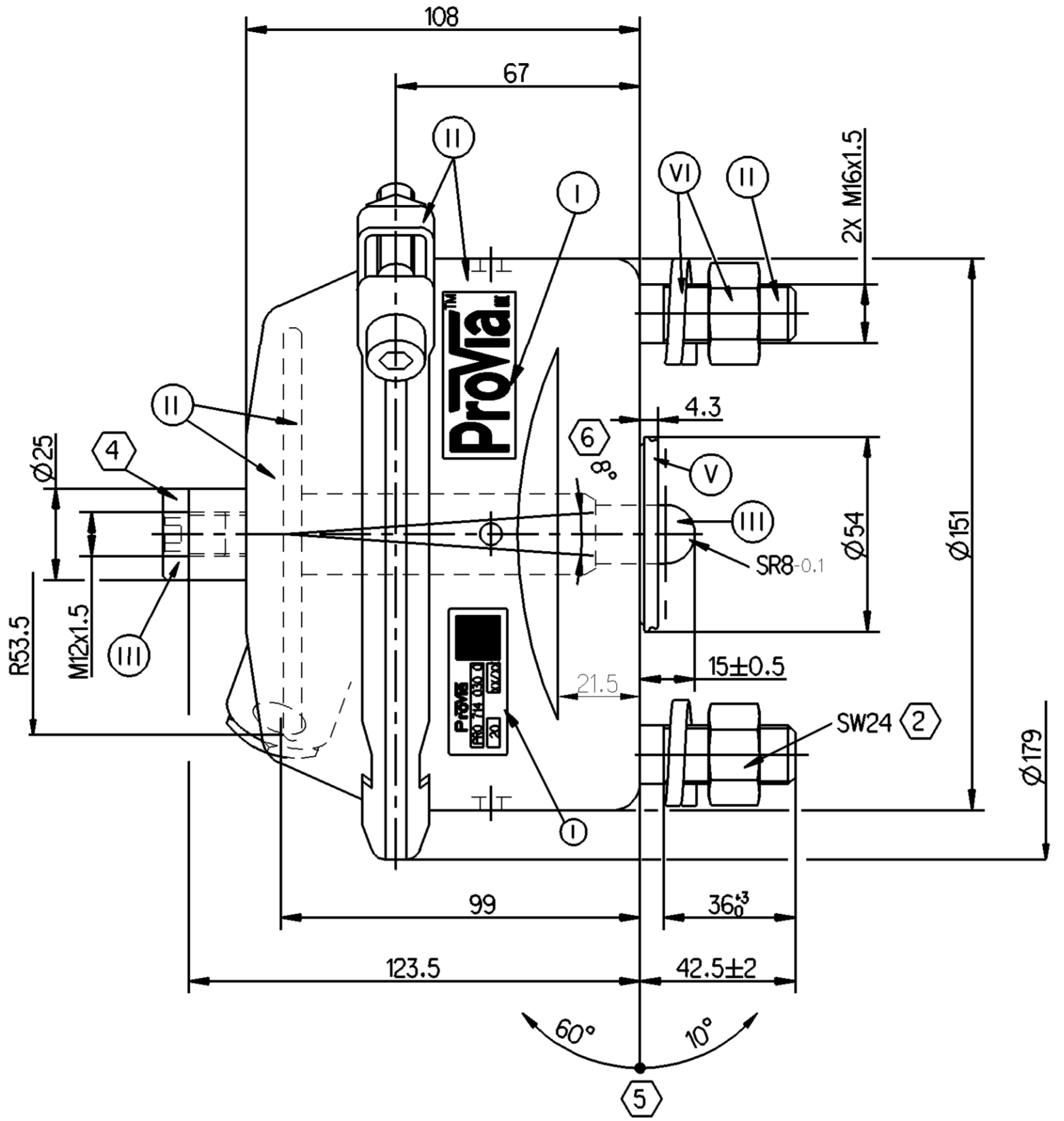
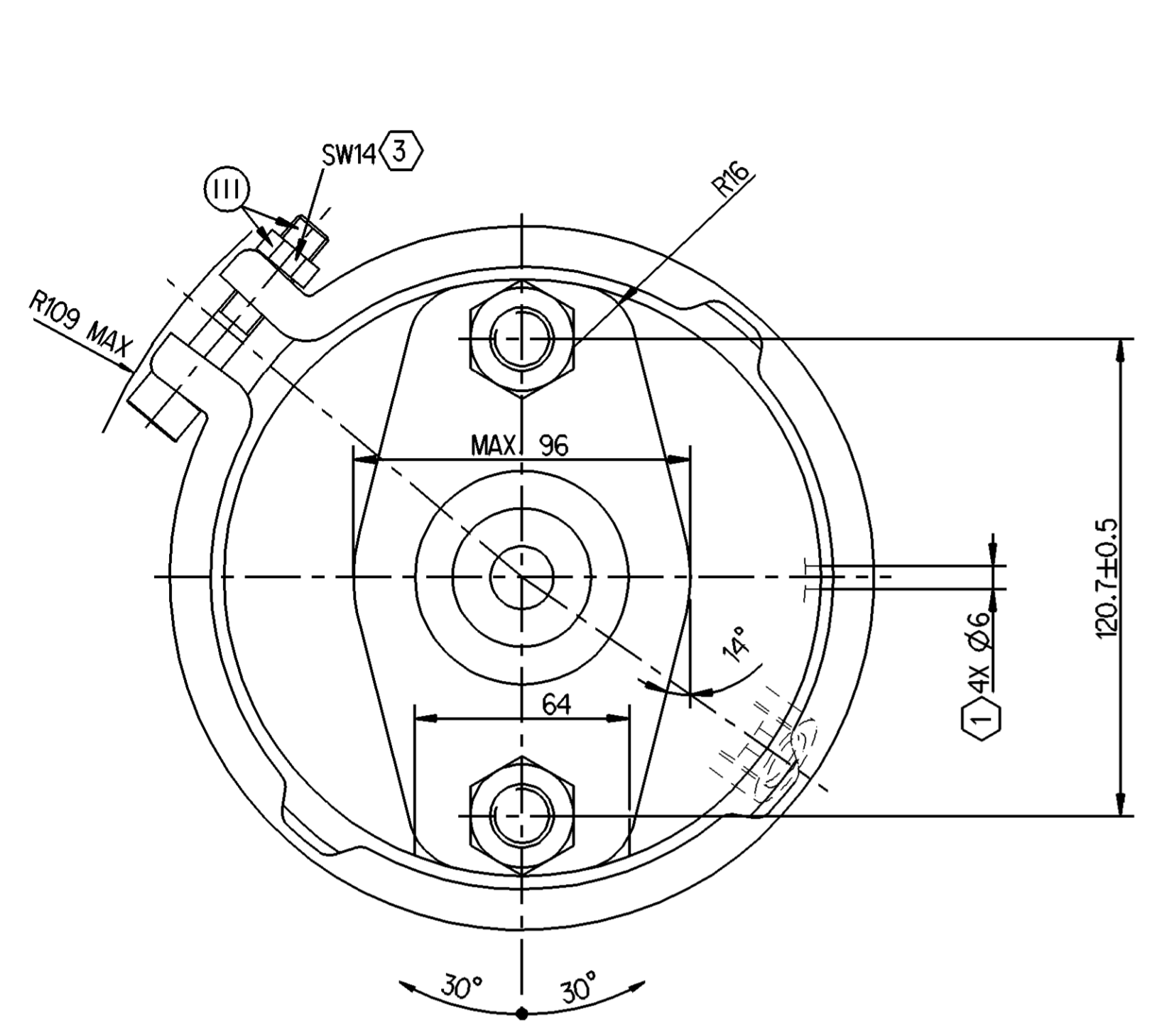


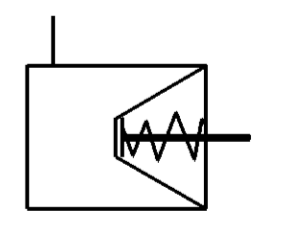
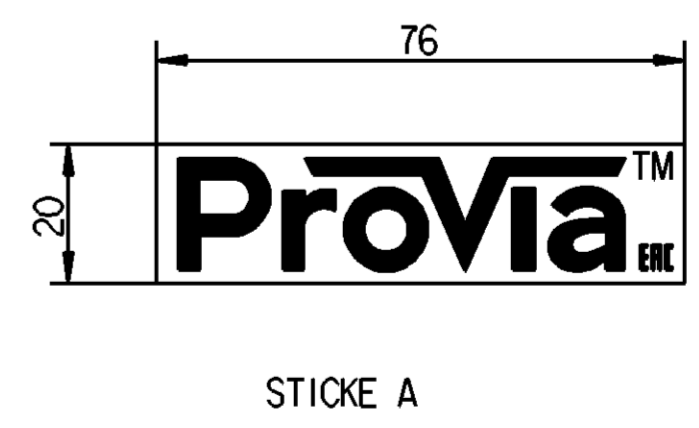
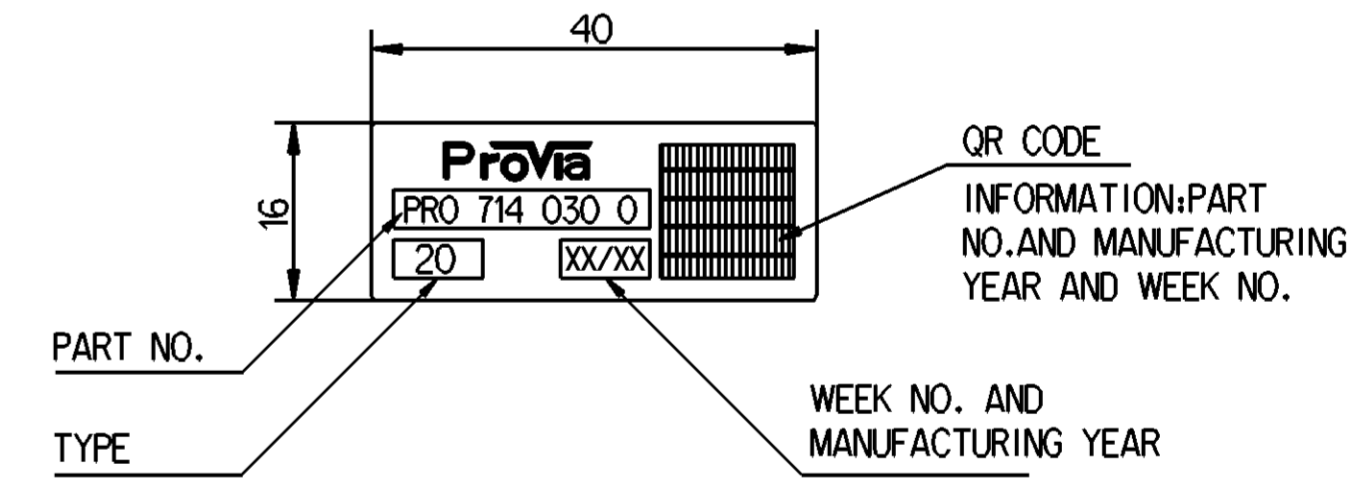
| SURFACE PROTECTION | |
|--------------------|------------------------------|
| I | STICKER |
| II | ELECTRO-PAINTING |
| III | DACROMET |
| IV | ZINC PLATED ,YELLOW CHROMATE |
| V | RUBBER |
| VI | ZINC PLATED WITH CR6+ FREE |

| | |
|--------------------------------|---|
| <- SAFETY CHARACTERISTICS | 0 |
| <- SIGNIFICANT CHARACTERISTICS | 0 |



- ① OPEN BREATHER HOLE
- ② TORQUE: 220±20 Nm
- ③ TORQUE: ≥35Nm
- ④ TORQUE: 45±5Nm
- ⑤ ADMISSIBLE INSTALLATION POSITION
- ⑥ DEFLECTION: 8° MAX AT STROKE:0 mm
- ⑦ SIDE PORT: M22x1.5, NG12 VOSS 232 SYSTEM (JED-388-0)
- ⑧ TORQUE: 10⁺⁷Nm

TECHNICAL REQUIREMENT:
 1. STROKE: ≥63.5mm;
 2. WORKING PRESSURE: Pmax. 10.2 bar, Temporarily 13 bar;
 3. WORKING TEMPERATURE: -40°C...+80°C- (40°F...+176°F);



| | | | |
|---|-----------------|------------------|---------------------------------|
| General Specifications: JED-334-1 - Size ISO 14405 LP | | Copyright WABCO® | |
| Further Technical Data: Pro 714 710 0 | | Date | Signature |
| Doc. Code: 035 | Sheet: 01 To 05 | 2019-06-17 | Saravanan |
| General Tolerances JED-261 | | Checked | Yerachachelvan |
| Range of Nominal Dimensions (± mm) | | Expert | |
| Class | 1) ≤ 50 | 2) > 50 & ≤ 180 | 3) > 180 & ≤ 400 |
| Fine | 0.5 | 1.0 | 1.5 |
| Medium | 1.0 | 2.0 | 3.0 |
| Coarse | 2.0 | 3.5 | 5.0 |
| Tapped Holes acc. JED-152 - JED-388-0 | | Mass | Scale |
| 1) Tolerance Class Applied Crossmarked | | 3.4 | 1:1 |
| | | Size | CAD System |
| | | PRO 714 030 0 | 5350_AM |
| | | Material No. | Date of first issue: 2019-07-12 |
| | | Doc.Code | Language |
| | | 005 | EN |
| | | Revision | Techn. Resp. |
| | | 1 | 5350_AM |
| | | Replacement for | |
| | | | |

Non e permesso copiare o riprodurre questo documento, ne utilizzare il contenuto a fini commerciali, senza permesso scritto dalla WABCO. E' vietata espressamente la ristampa o l'uso non autorizzato di questo documento. Toute reproduction ou utilisation non autorise sans la permission de la WABCO est formellement interdite. Toute utilisation commerciale sans la permission de la WABCO est formellement interdite.