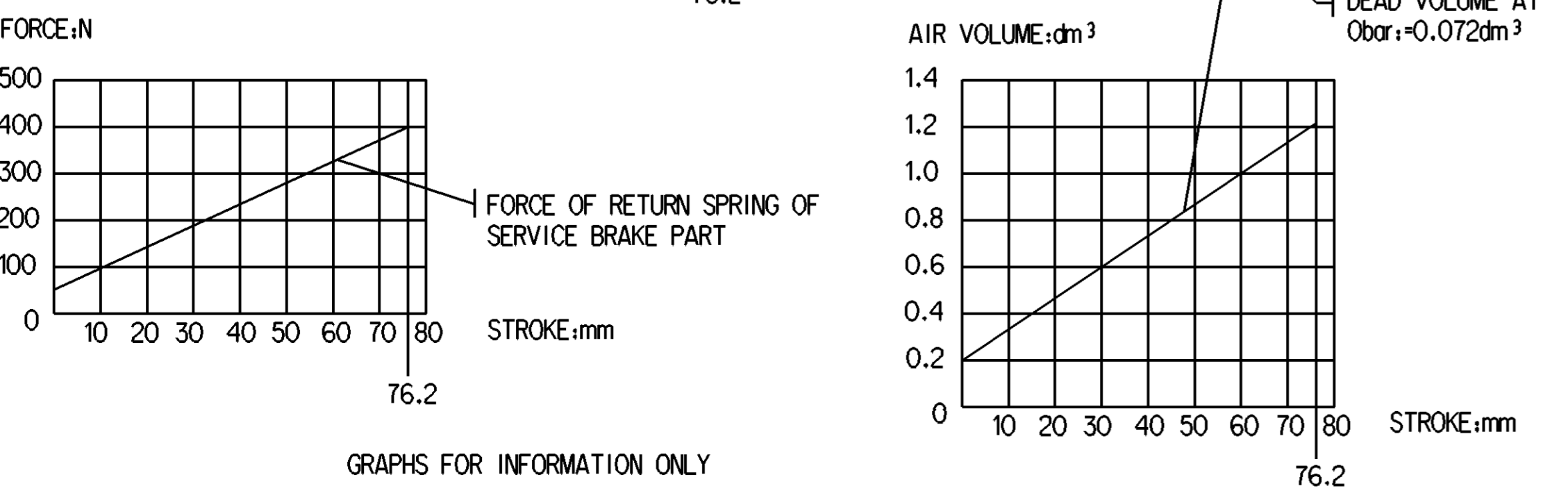
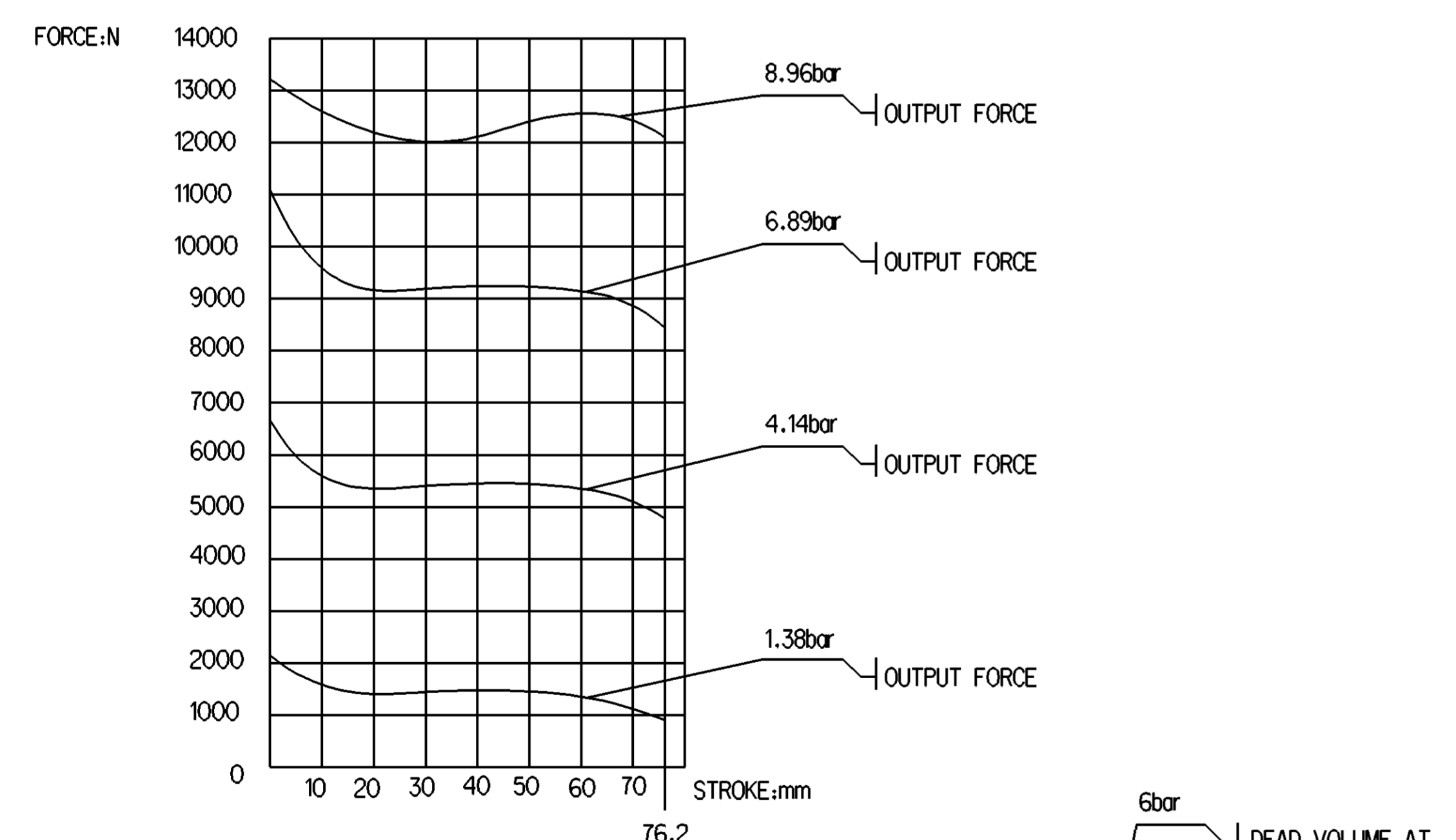
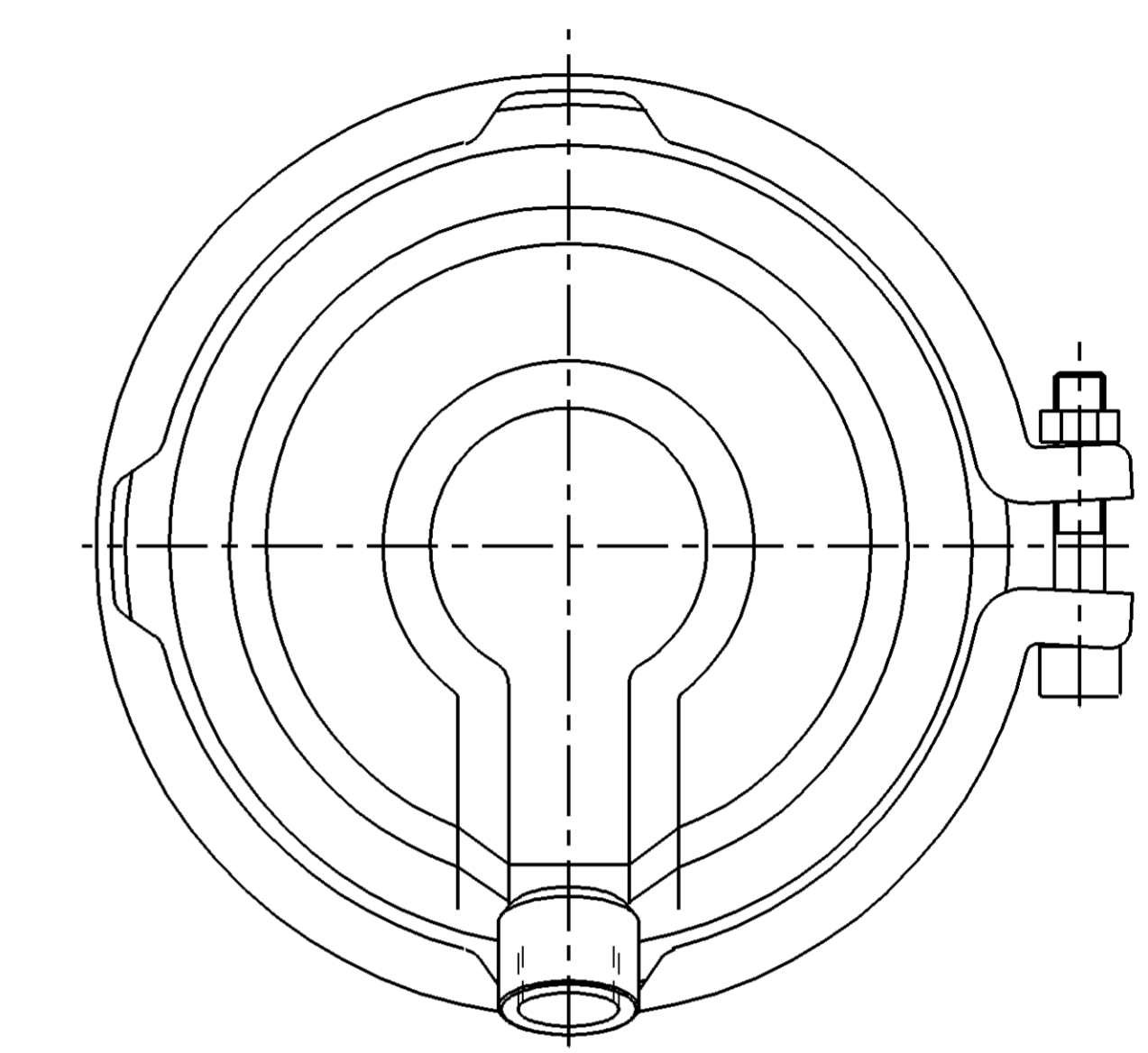
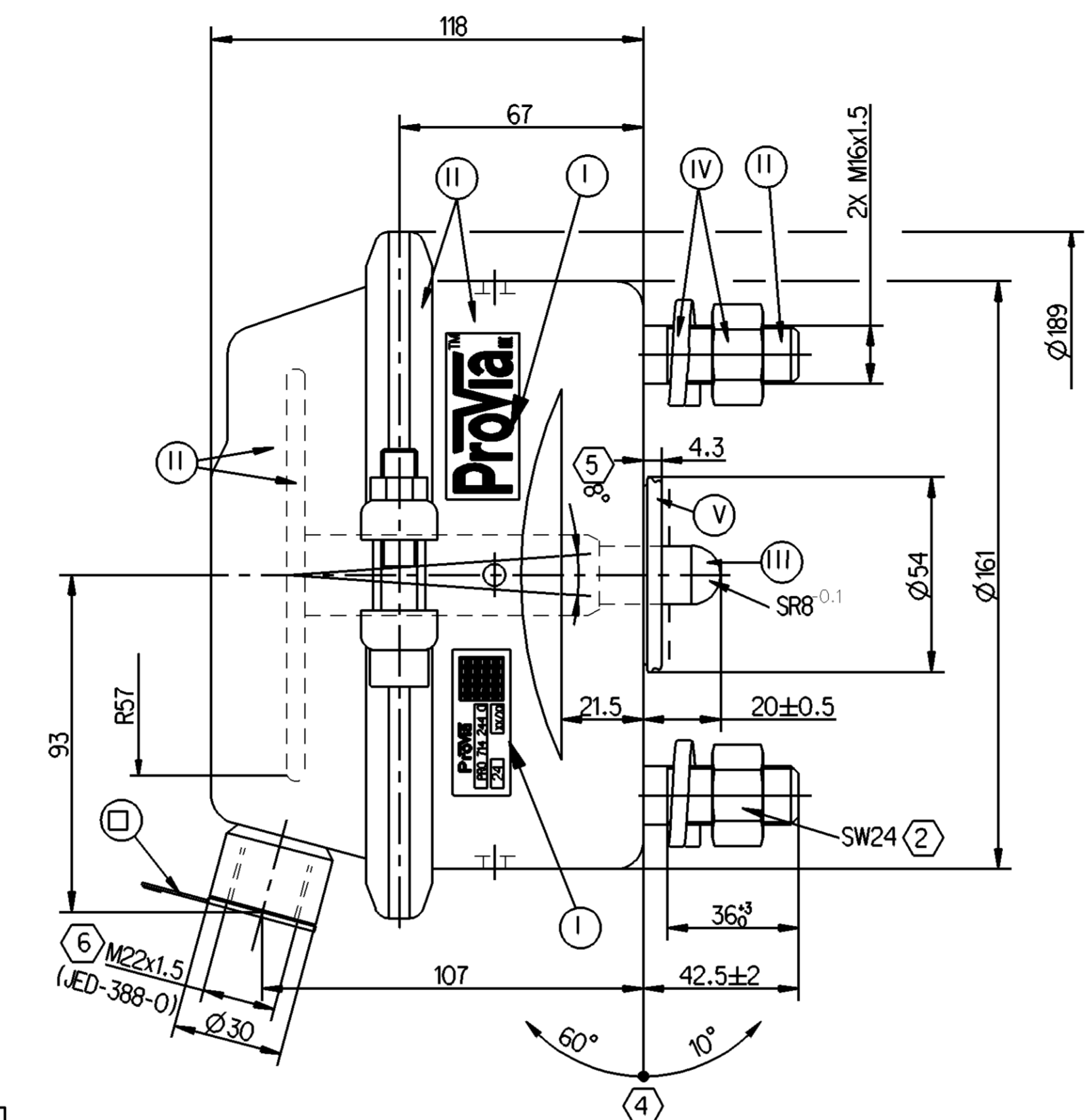
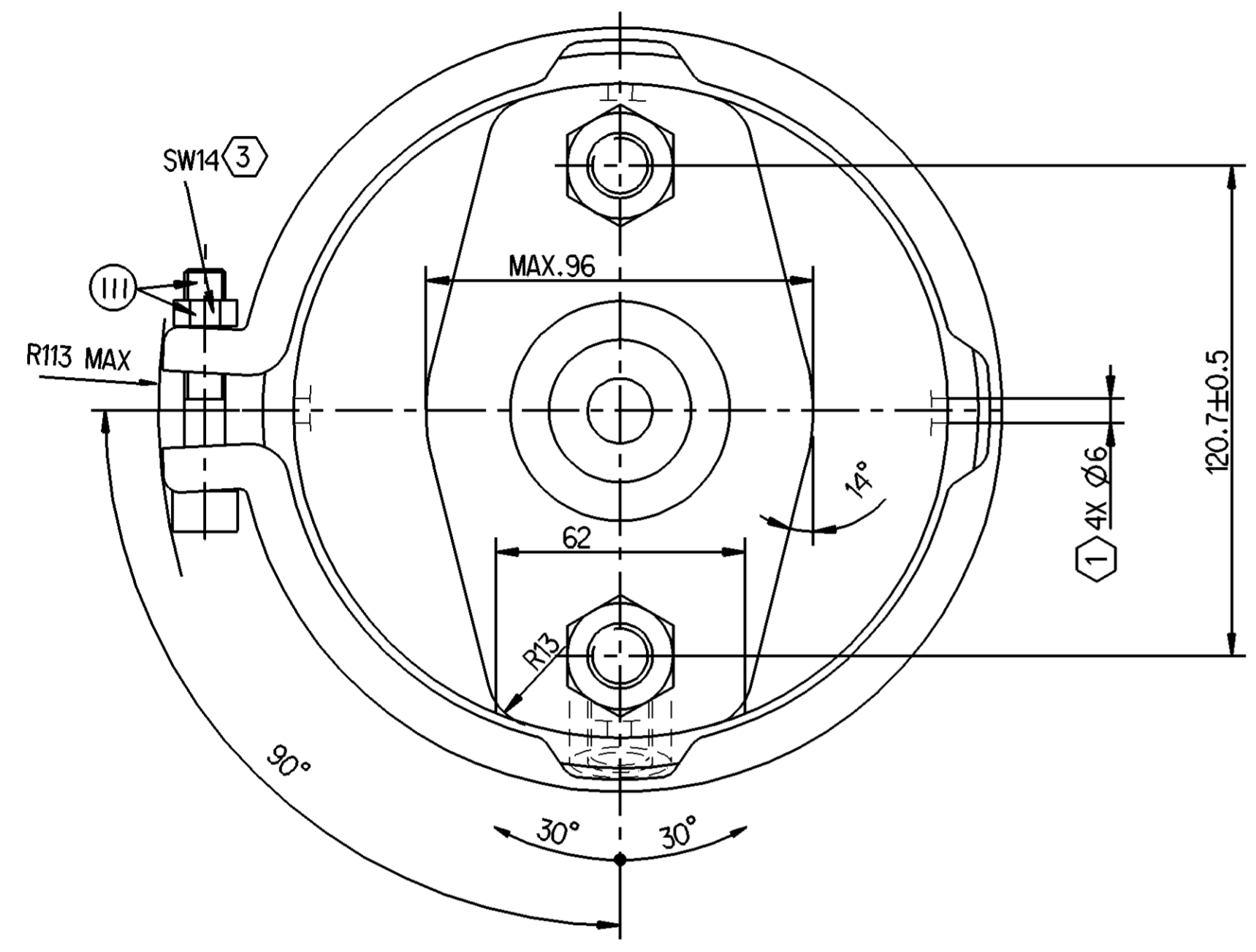


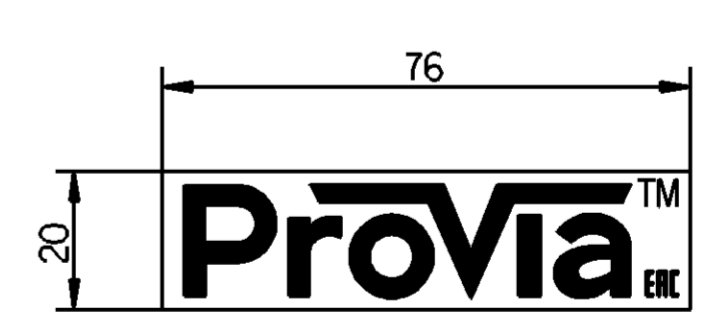
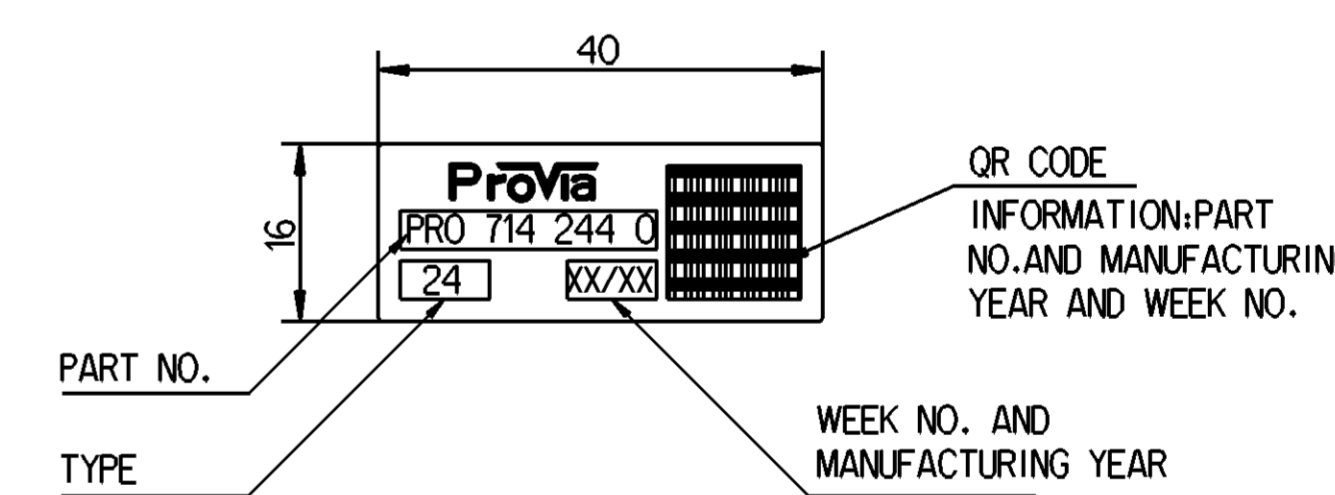
SURFACE PROTECTION	
I	STICKER
II	ELECTRO-PAINTING
III	DACROMET
IV	ZINC PLATED WITH CR6+ FREE
V	RUBBER
VI	HARD POLYETHYLENE

SAFETY CHARACTERISTICS	0
SIGNIFICANT CHARACTERISTICS	0

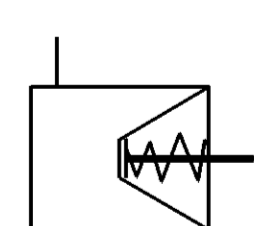


- ① OPEN BREATHER HOLE
- ② TORQUE: 220±20 Nm
- ③ TORQUE: ≥35Nm
- ④ ADMISSIBLE INSTALLATION POSITION
- ⑤ DEFLECTION: 8° MAX AT STROKE:0 mm
- ⑥ TORQUE: 70±10Nm

TECHNICAL REQUIREMENT:REQUIREMENT:
 1.STROKE:≥76.2mm;
 2.WORKING PRESSURE: Pmax. 10.2 bar, Temporarily 13 bar;
 3.WORKING TEMPERATURE:-40°C...+80°C (-40°F...+176D);



NAME PLATE



General Specifications: JED-334-1 - Size ISO 14405 LP		Copyright WABCO®		ProVia	
Further Technical Data: Pro 714 710 0		Date	2019-07-12	Signature	Saravanan
Doc. Code: 035	Sheet: 01 To 05	Checked	2019-07-12	Expert	Yerachachelvan
General Tolerances JED-261		Range of Nominal Dimensions (± mm)		Aswin kumar	
Class	1) ≤ 50	> 50 < 180	≥ 180 < 400	±3°	
Fine	0.5	1.0	1.5	2.0	±3°
Medium	1.0	2.0	3.0	4.0	
Coarse	2.0	3.5	5.0	6.5	
Tapped Holes acc. JED-388-0		1) Tolerance Class Applied Crossmarked		Tapped Holes acc. JED-388-0	
Mass	3.4 KG	Scale	1:1	Material No. PRO 714 244 0	
Size	CAD System	Date of first issue: 2019-07-12		Doc.Code Language Sheet	
A 1 CREO		Revision		5350_AM	
Ech.No.		Techn. Resp.		Replacement for	

Non e permesso copiare o riprodurre questo documento, ne utilizzare il contenuto o riprodurre immagine (foto o video) senza permesso scritto dalla WABCO. E' vietata espressamente la ristampa o l'uso non autorizzato di questo documento. Toute reproduction ou utilisation non autorisee sans la permission écrite de la WABCO est formellement interdite. Toute utilisation non autorisee de ce document est formellement interdite.