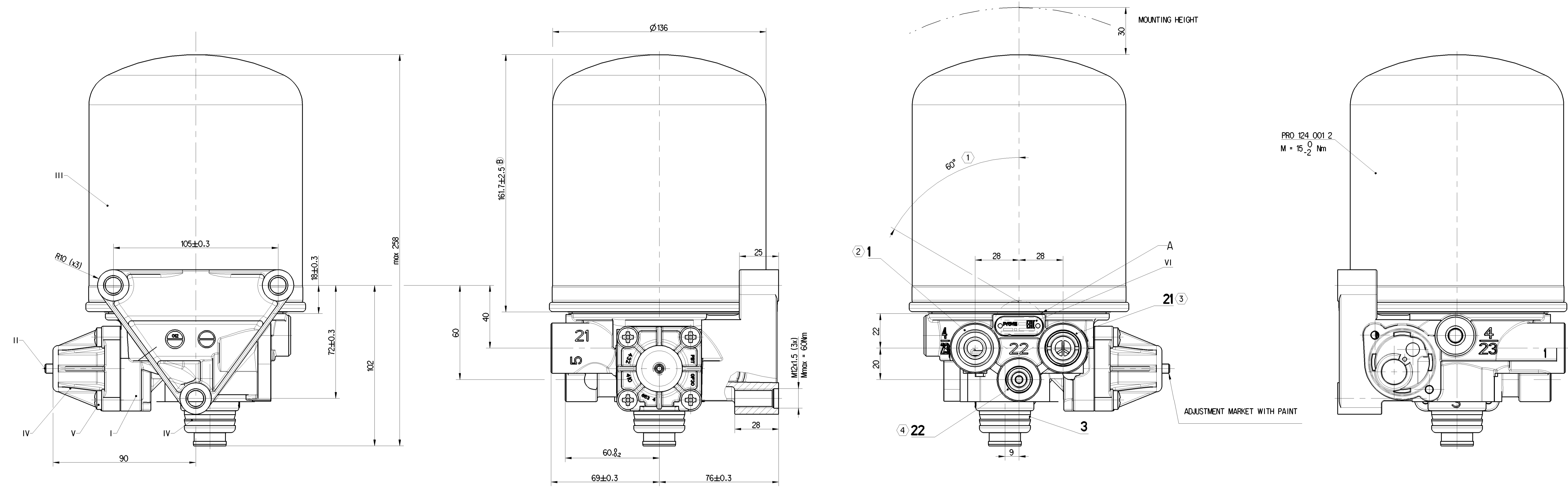
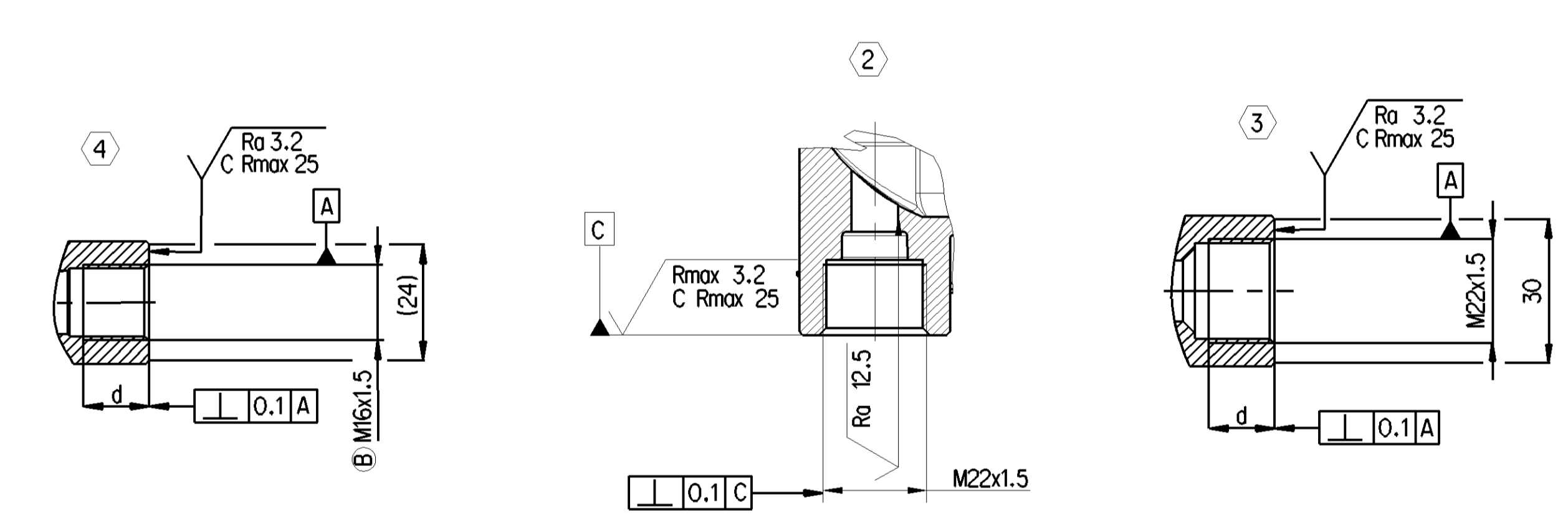
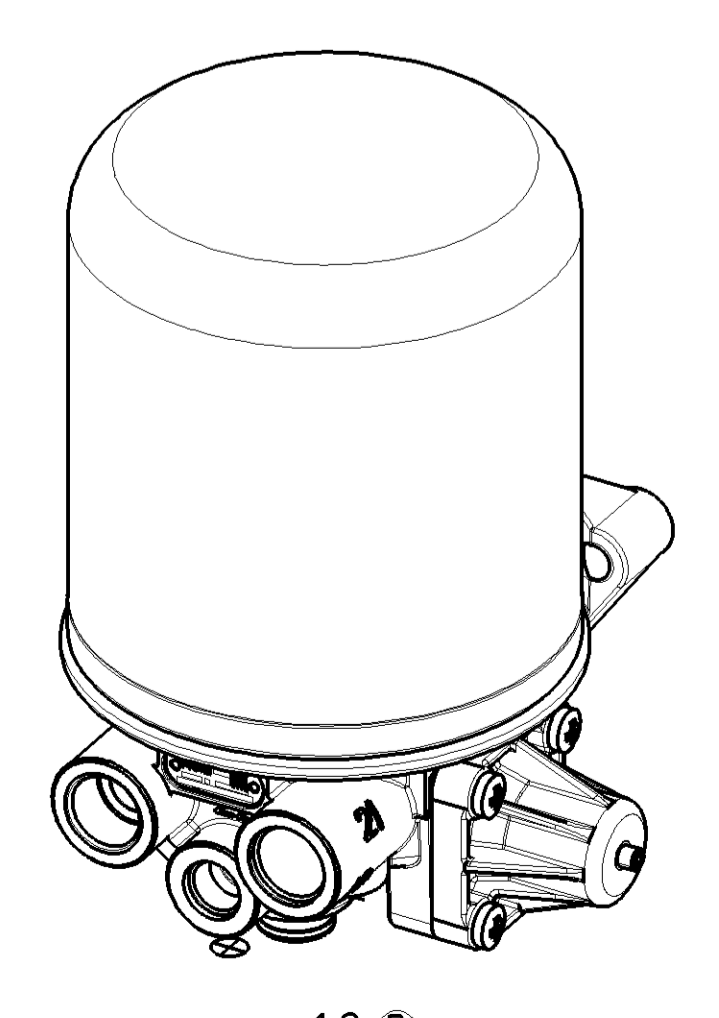


EXTERNAL SURFACE	
I	JED-259-3
II	JED-256-3
III	JED-471-0
IV	PLASTIC
V	JED-256-1
VI	JED-007-1

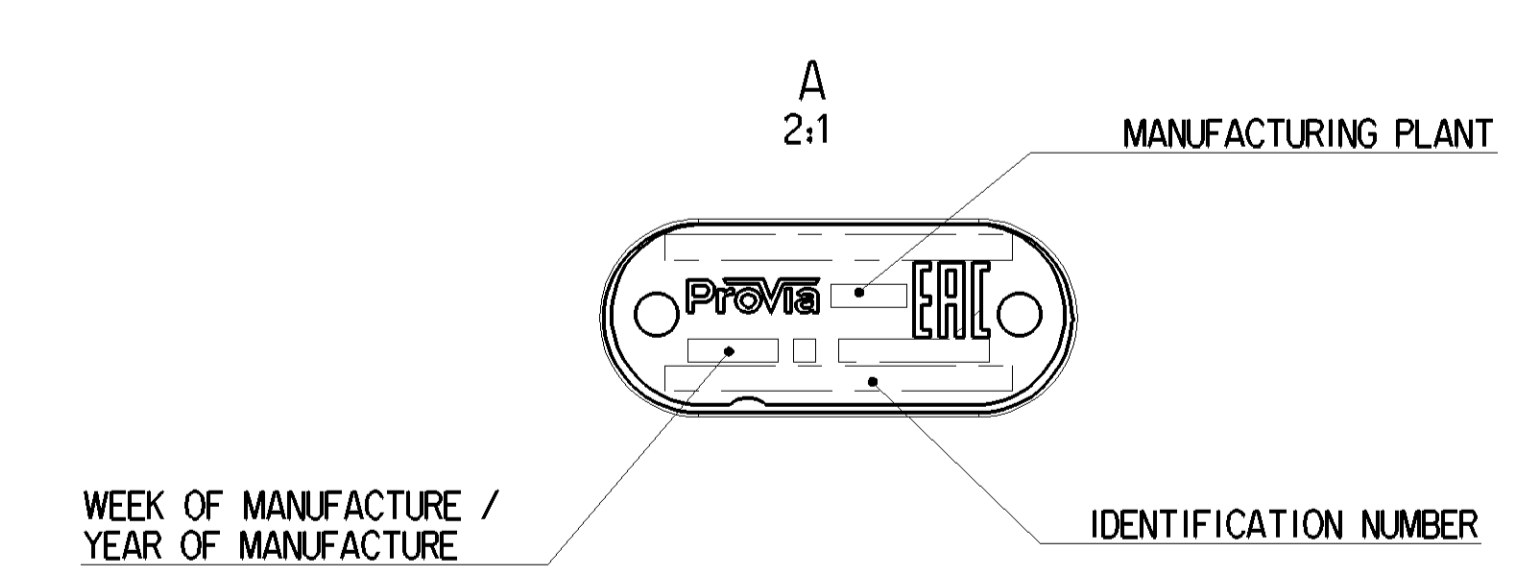
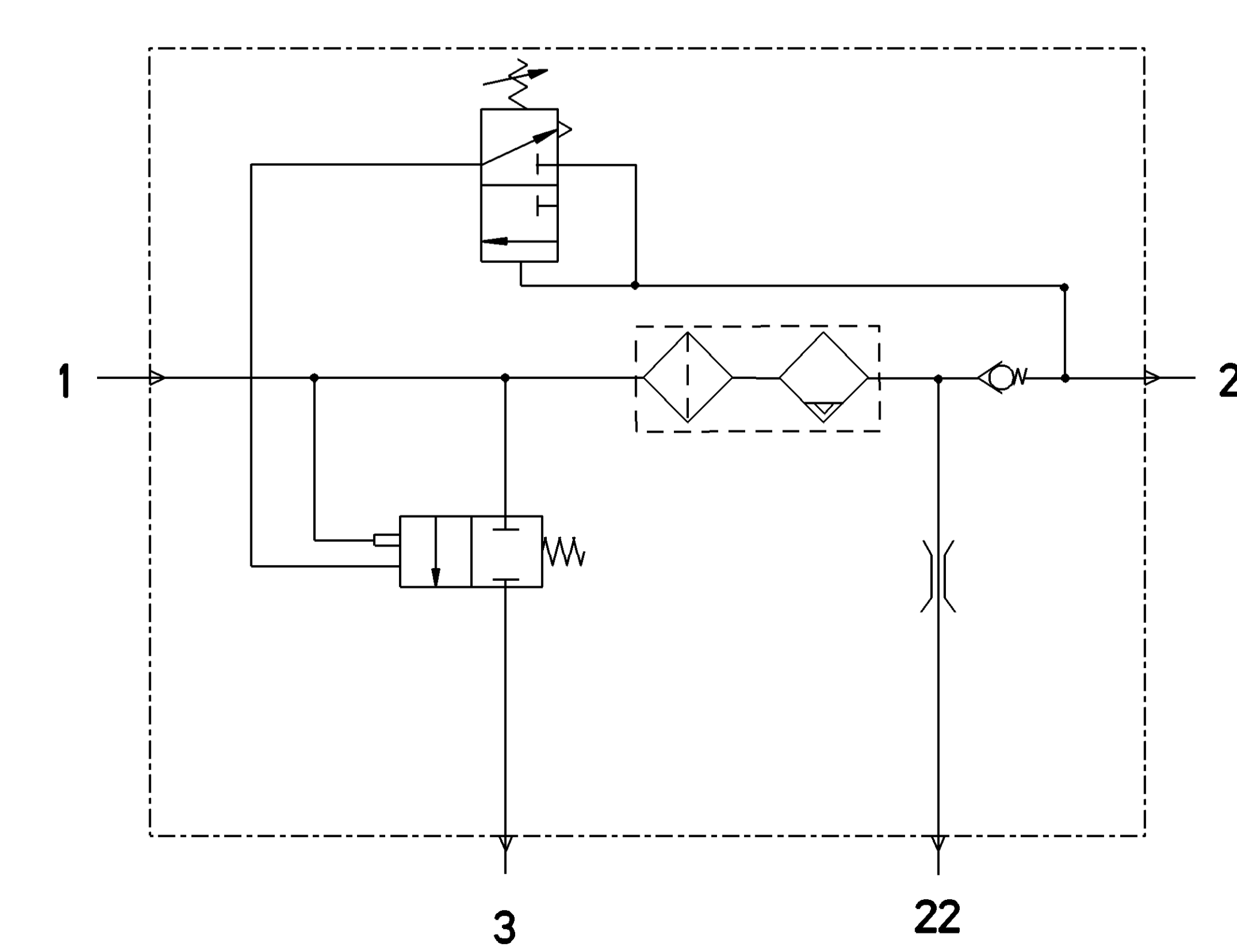


TECHNICAL DATA	
MEDIUM:	COMPRESSED AIR
WORKING PRESSURE:	Pe MAX+13 bar
MAX. PERMISSIBLE FREQUENCY:	50 Hz
MAX. PERMISSIBLE ACCELERATION:	±10x g
COMBINED UNLOADER:	
OUT OUT PRESSURE:	10.0 ± 0.2 bar
OPERATING RANGE:	1.0 ^{+0.5} bar
DYNAMIC PRESSURE OF SAFETY VALVE:	12 ^{+0.4} bar (BEI $\dot{V} = 100 \text{ dm}^3/\text{min.}$)
TORQUES FOR CONNECTIONS:	M16x1.5: Mmax = 34 Nm M22x1.5: Mmax = 53 Nm

① INSTALLATION POSITION AS DRAWN



PORT	FUNCTION	THREAD
1	FROM THE COMPRESSOR	M22x1.5 JED-152 d=15
21	TO THE RESERVOIRS	M22x1.5 JED-388
22	TO THE RESERVOIRS FOR REGENERATED AIR	M16x1.5 JED-388
3	EXHAUST FOR COMPRESSED AIR	-



General Specifications: JED-254-1, Size ISO 14405 LP		Copyright 2020		Prövia	
Doc. Code: G35	Sheet: 1	Date: 2020-11-03	System: Poczok	AIR DRYER	
General Tolerances: ISO 2011		2020-11-03		Prövia	
Range of Nominal Dimensions (d in mm)		2020-11-03		Prövia	
Class	to ± 50	to ± 80	to ± 100	to ± 150	to ± 400
File	0.5	1.0	1.5	2.0	3.0
Medium	X 1.0	2.0	3.0	4.0	5.0
Course	2.0	3.5	5.0	6.5	8.0
Tapped holes acc.:		3.5		1:1 (2:1)	
Tapped holes acc.:		A 0		PRO 122 007 0	
Tapped holes acc.:		A 0		502271 3 x B 5050 AM	