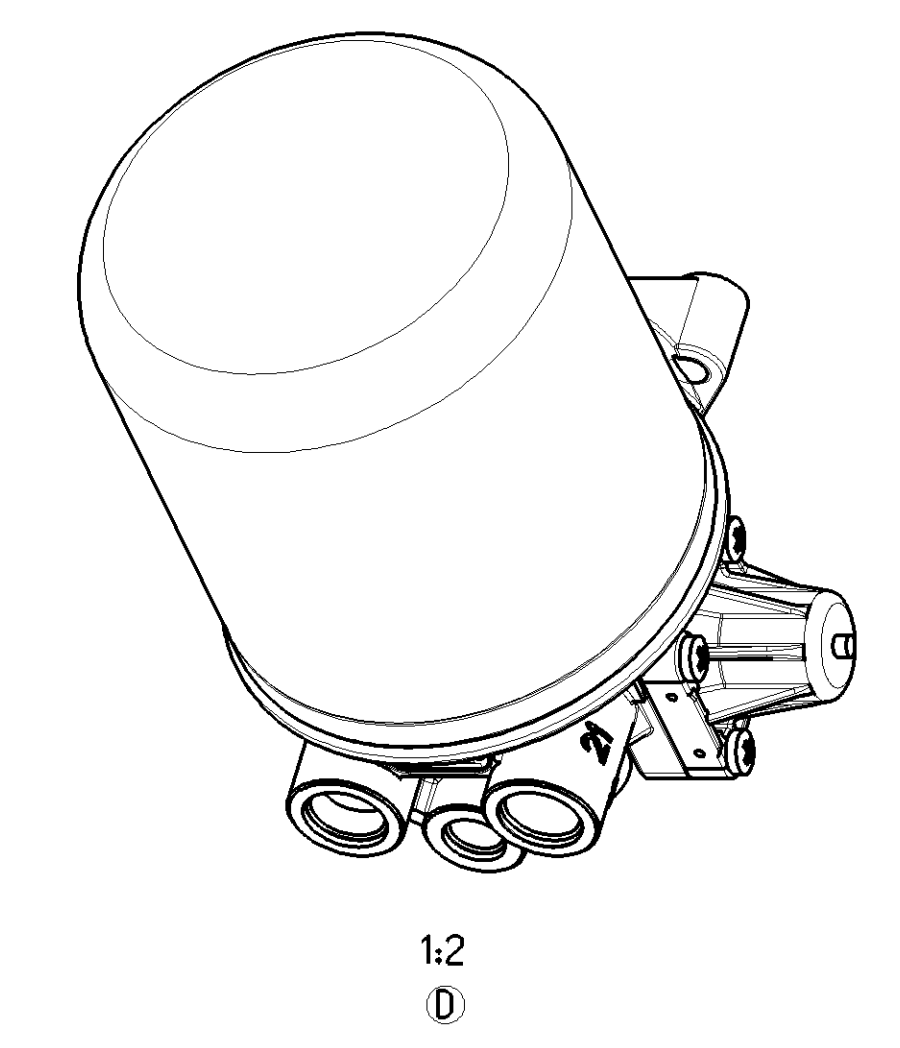
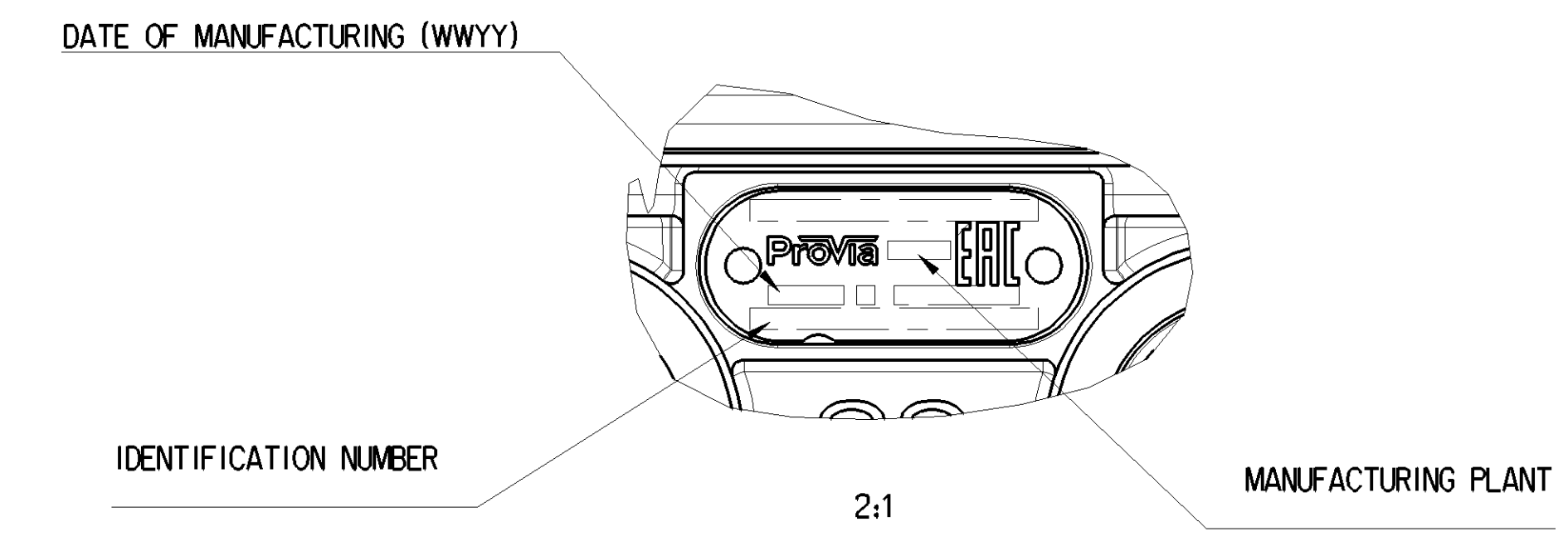
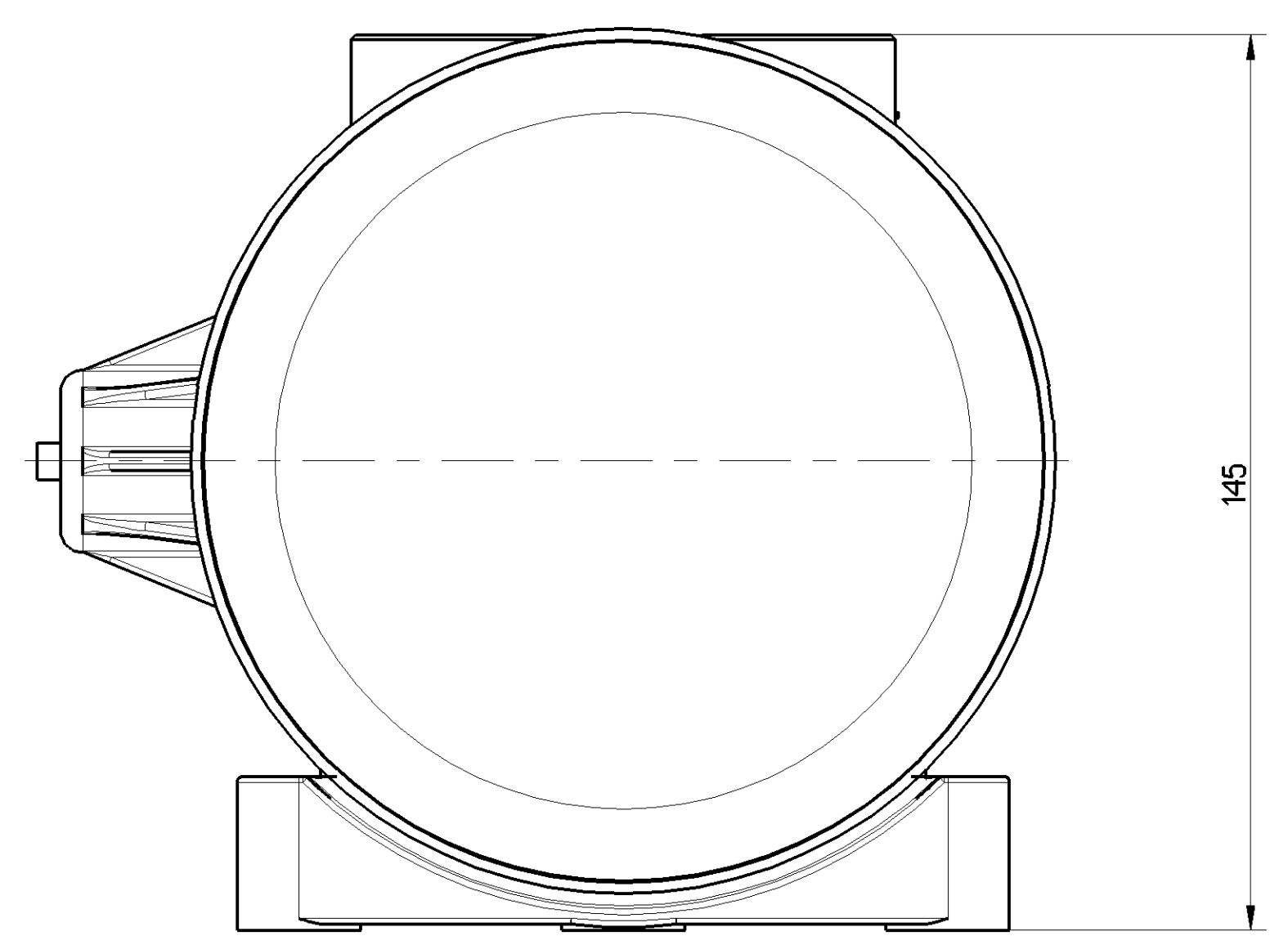
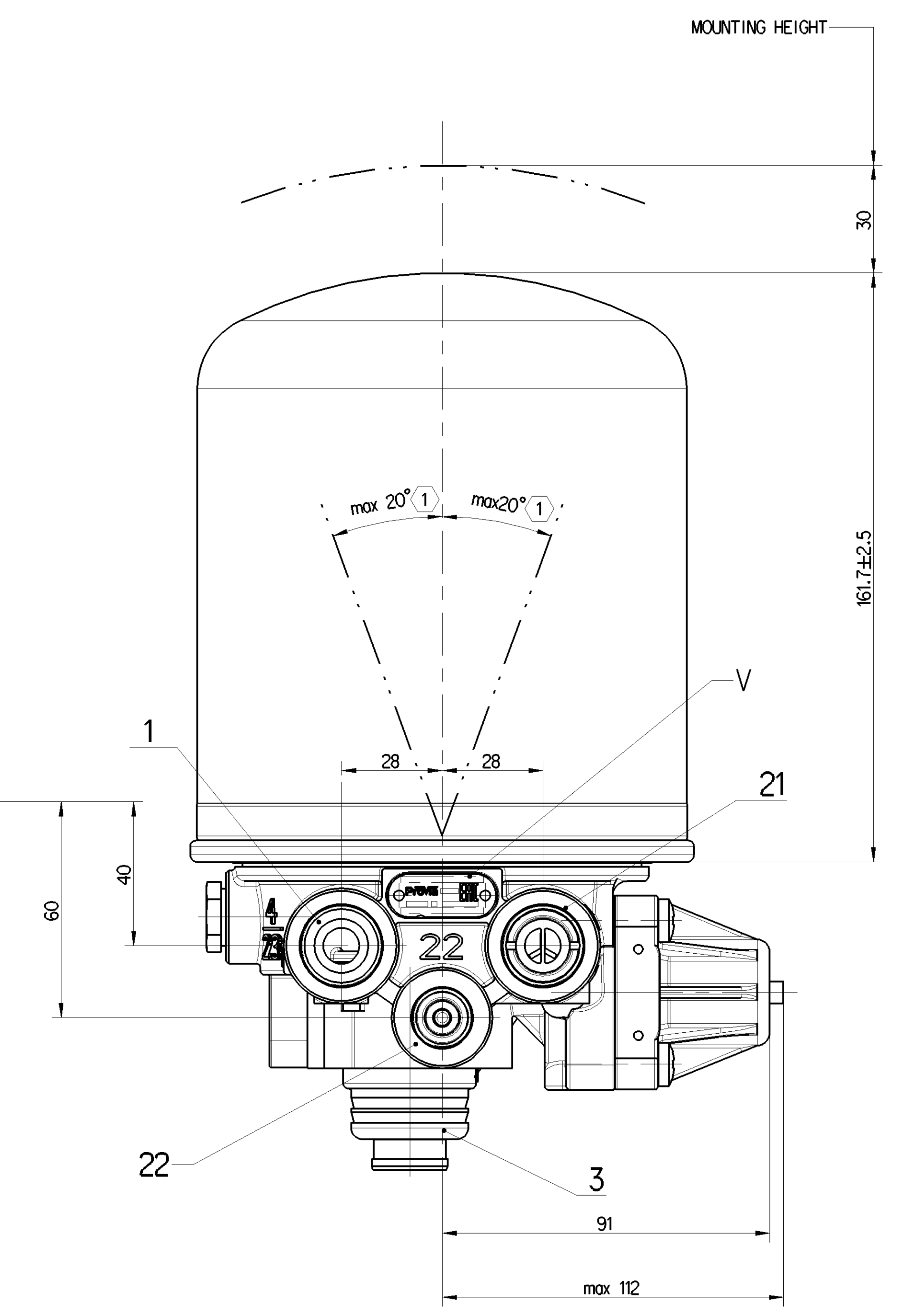
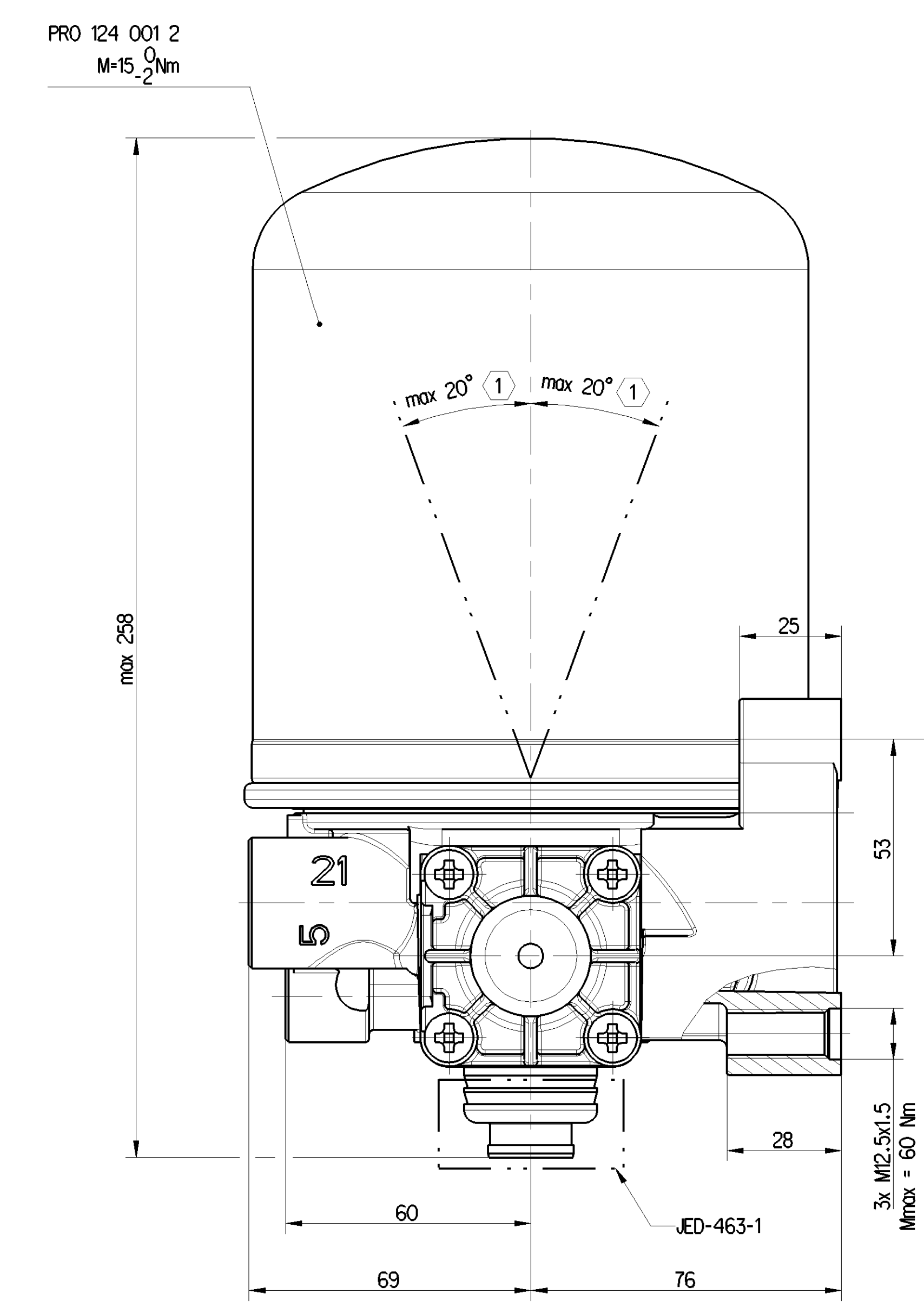
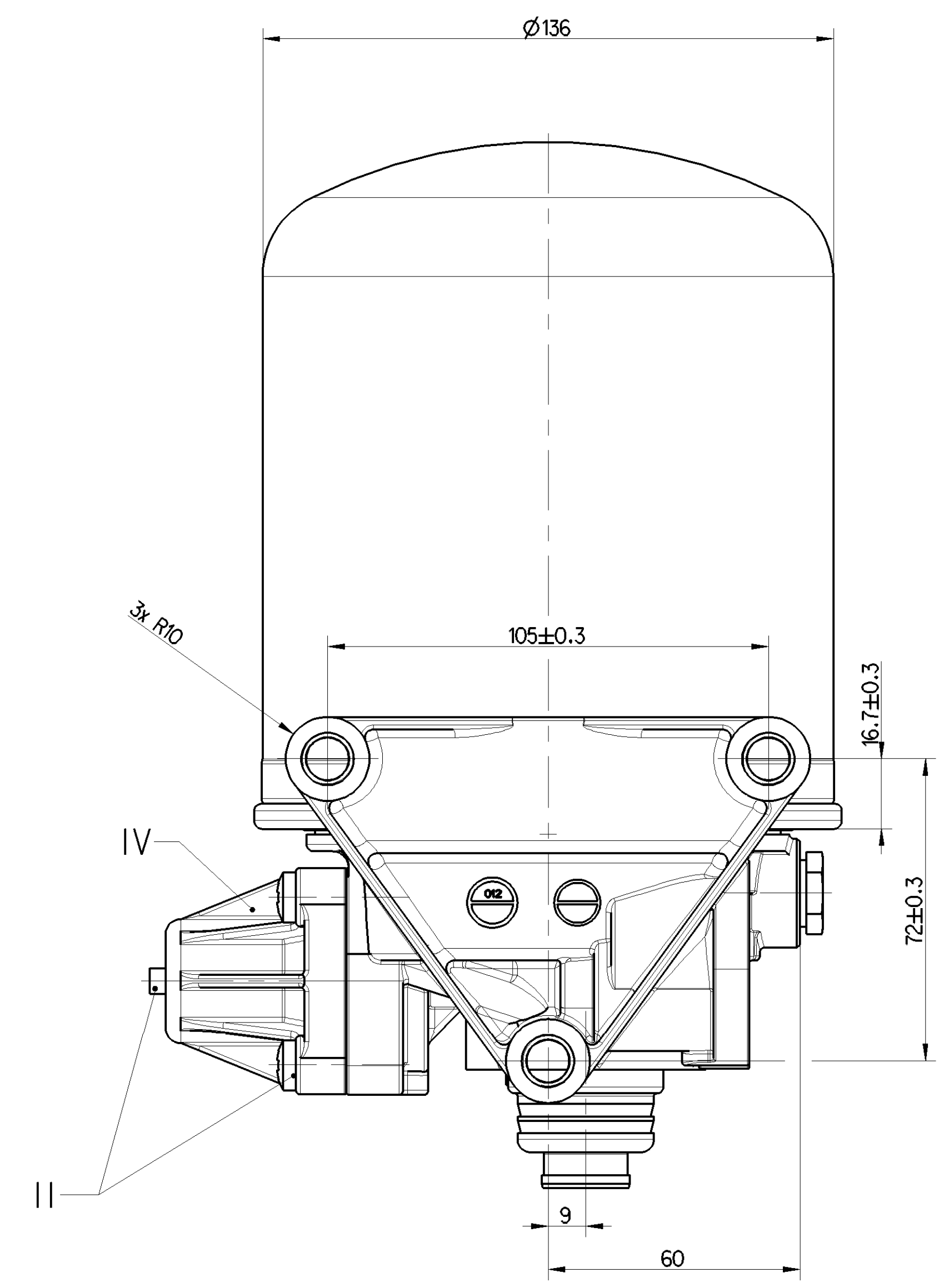
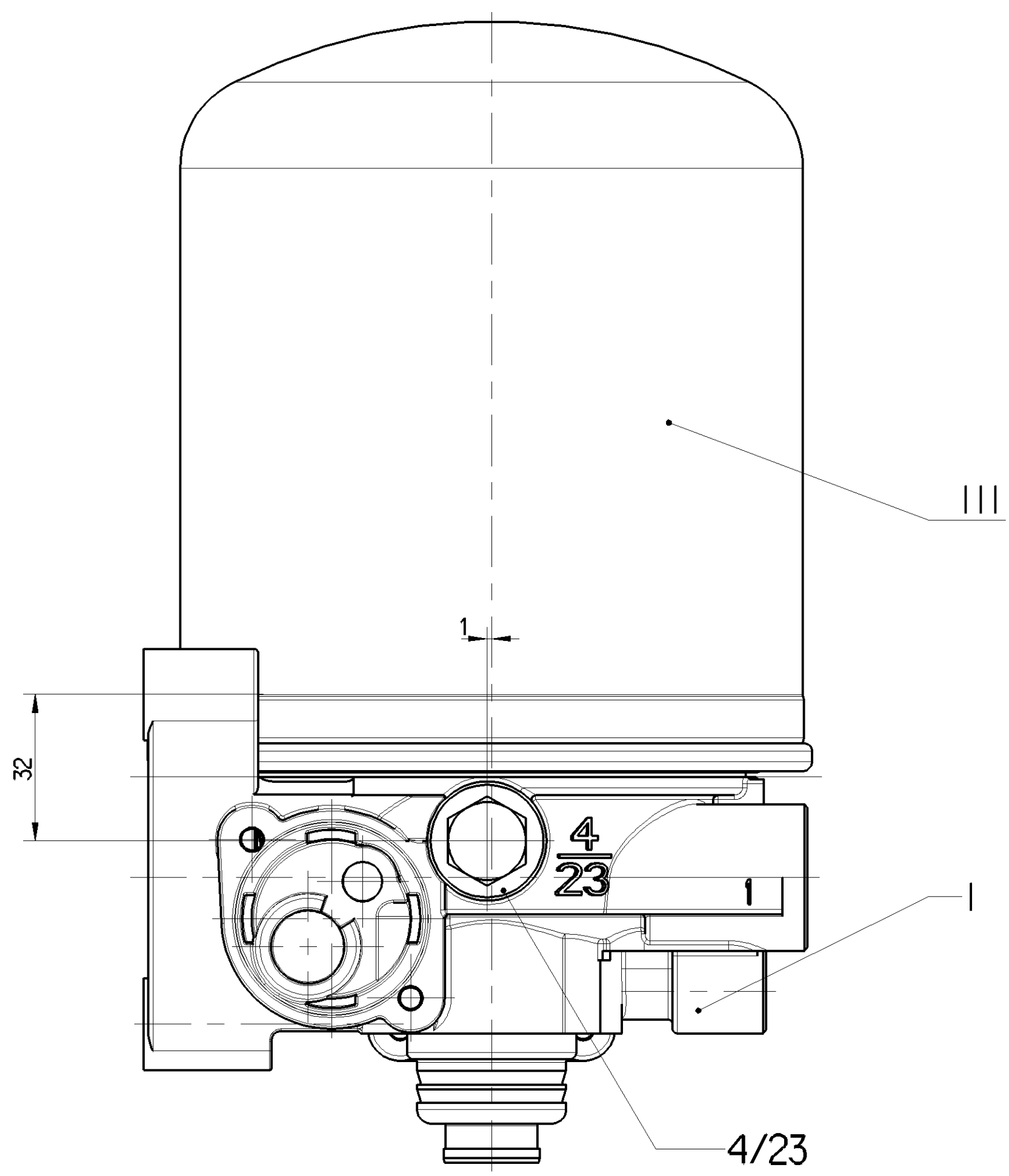


EXTERNAL SURFACE	
I	JED-259-3
II	JED-256-1 OR JED 256-3
III	JED 471-0
IV	PLASTIC/KUNSTSTOFF
V	JED-007-1



This document is intended for use as a reference only. It is not a contract. The user is responsible for ensuring that the product is used in accordance with the instructions and safety warnings. The manufacturer is not liable for any damage or injury resulting from the use of the product.

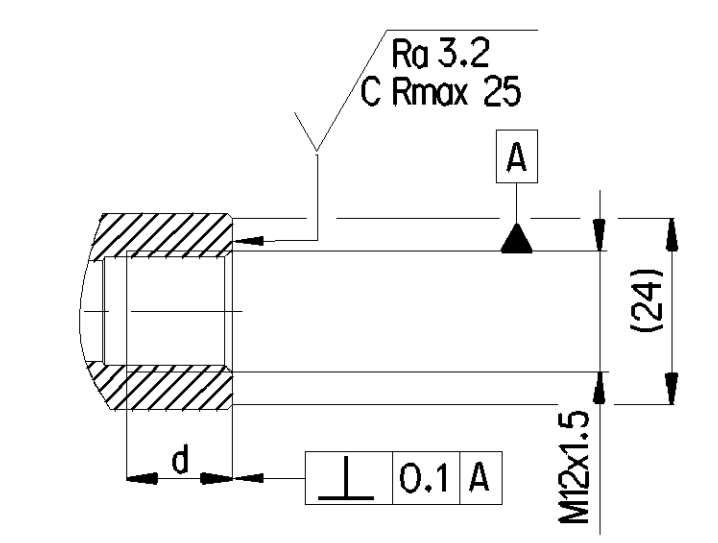
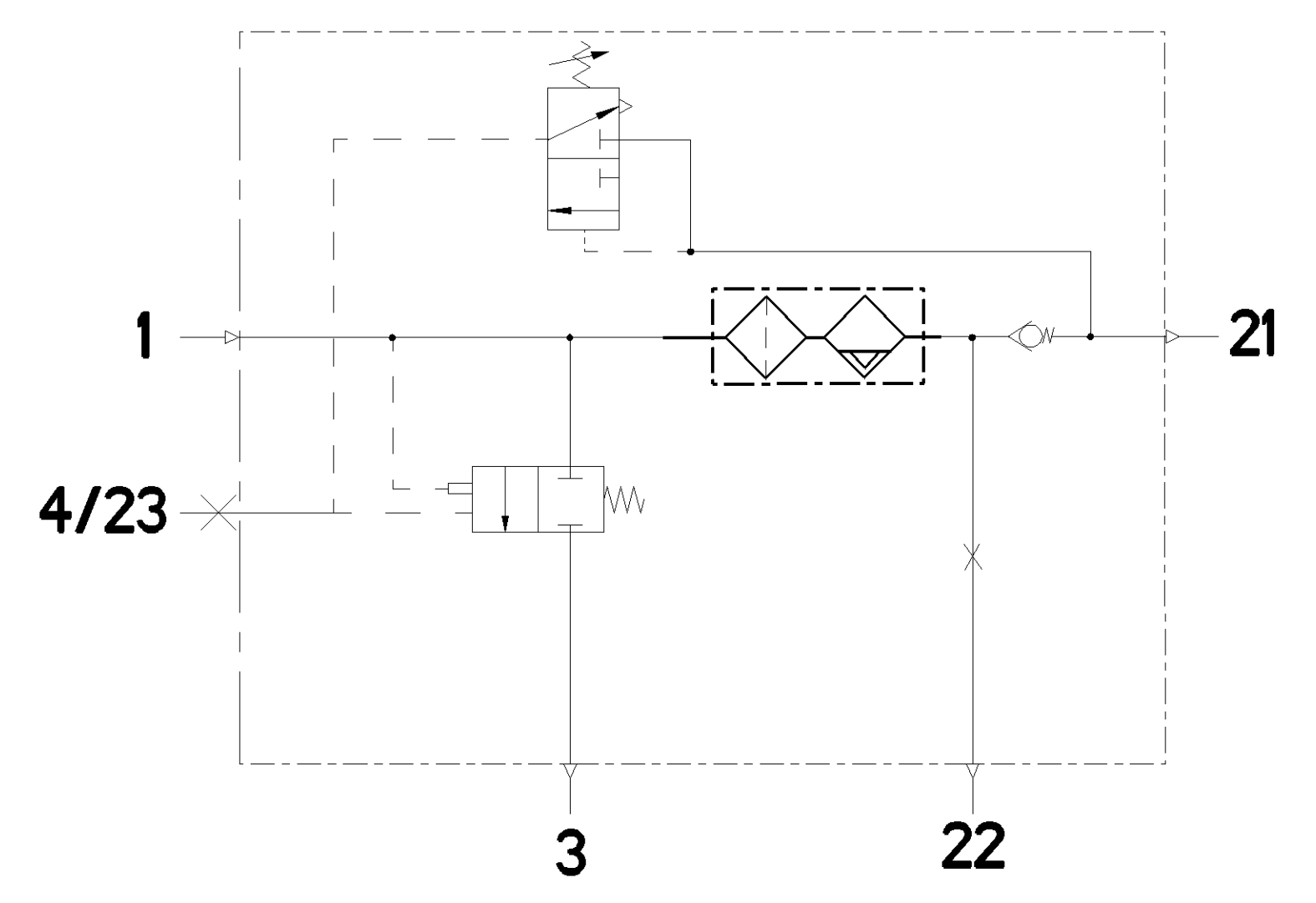
TECHNICAL DATA:

THERMAL RANGE OF CONTINUOUS APPLICATION: RESISTANCE TO HEAT: MEDIUM: WORKING PRESSURE: MAX. PERMISSIBLE FREQUENCY: MAX. PERMISSIBLE ACCELERATION: COMBINED UNLOADER: CUT OUT PRESSURE: DYNAMIC PRESSURE OF SAFETY VALVE: OPERATING RANGE:	-40°C... +65°C +80°C MAX COMPRESSED AIR Pe MAX+13 bar 50 Hz ±10x g 9.1±0.3 bar 15 ⁺⁶ ₀ bar (BEI Vn=100dm ³ /min.) 1.3 ±0.4 bar
--	---

TORQUES FOR CONNECTIONS:

M16x1.5:	Mmax = 34 Nm
M22x1.5:	Mmax = 53 Nm

1 INSTALLATION POSITION AS DRAWN



PORT	FUNCTION	THREAD
1	FROM THE COMPRESSOR	M22x1.5 JED-388
21	TO THE RESERVOIRS	M22x1.5 JED-388
22	TO THE RESERVOIRS FOR REGENERATED AIR	M16x1.5 JED-388
3	EXHAUST FOR COMPRESSED AIR	-
4/23	TO THE COMPRESSOR (PLUGGED)	M12.5x1.5 d=12

General Specifications: JED-334-1, Size ISO 14400 LP	Copyright: 48000*	Prövia				
Further Technical Data: Product Specification	Drawn: Systems	AIR DRYER				
Doc. Code: 035	Sheet: 1 To: 1					
General Tolerances: ISO 2011	2020-11-05	Prövia				
Class: 1	2020-11-05	Marcinkiewicz				
File: 0.5	1.0	1.5	2.0			
Medium: X	1.0	2.0	3.0	4.0	5.0	6.5
Course: 2.0	3.5	5.0	6.5			
Tapped Holes acc.:						
Tolerance class: Applied: Unspecified						
A 0	CREO	PRO 410 002 0	005	EN	1/1	