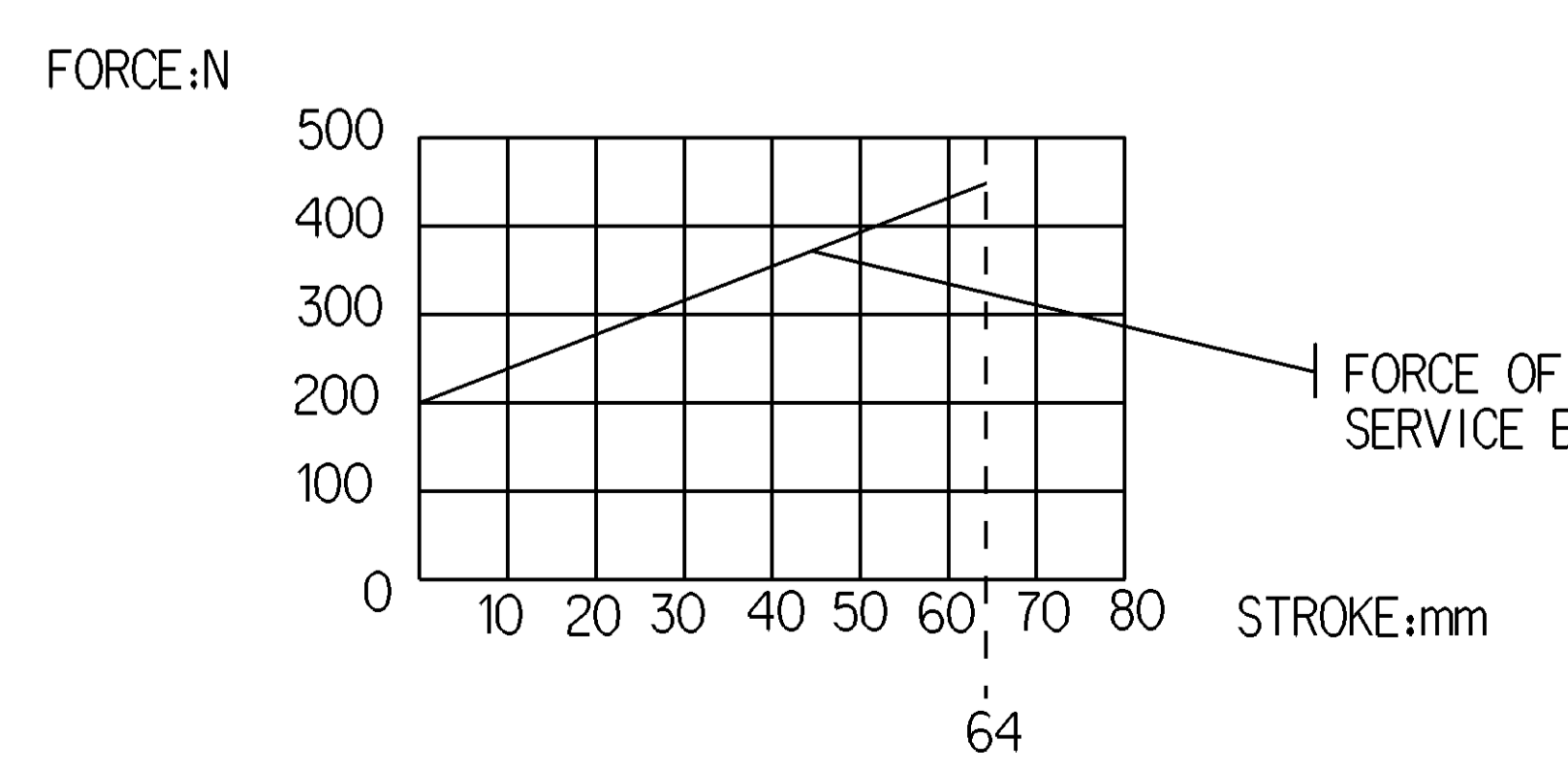
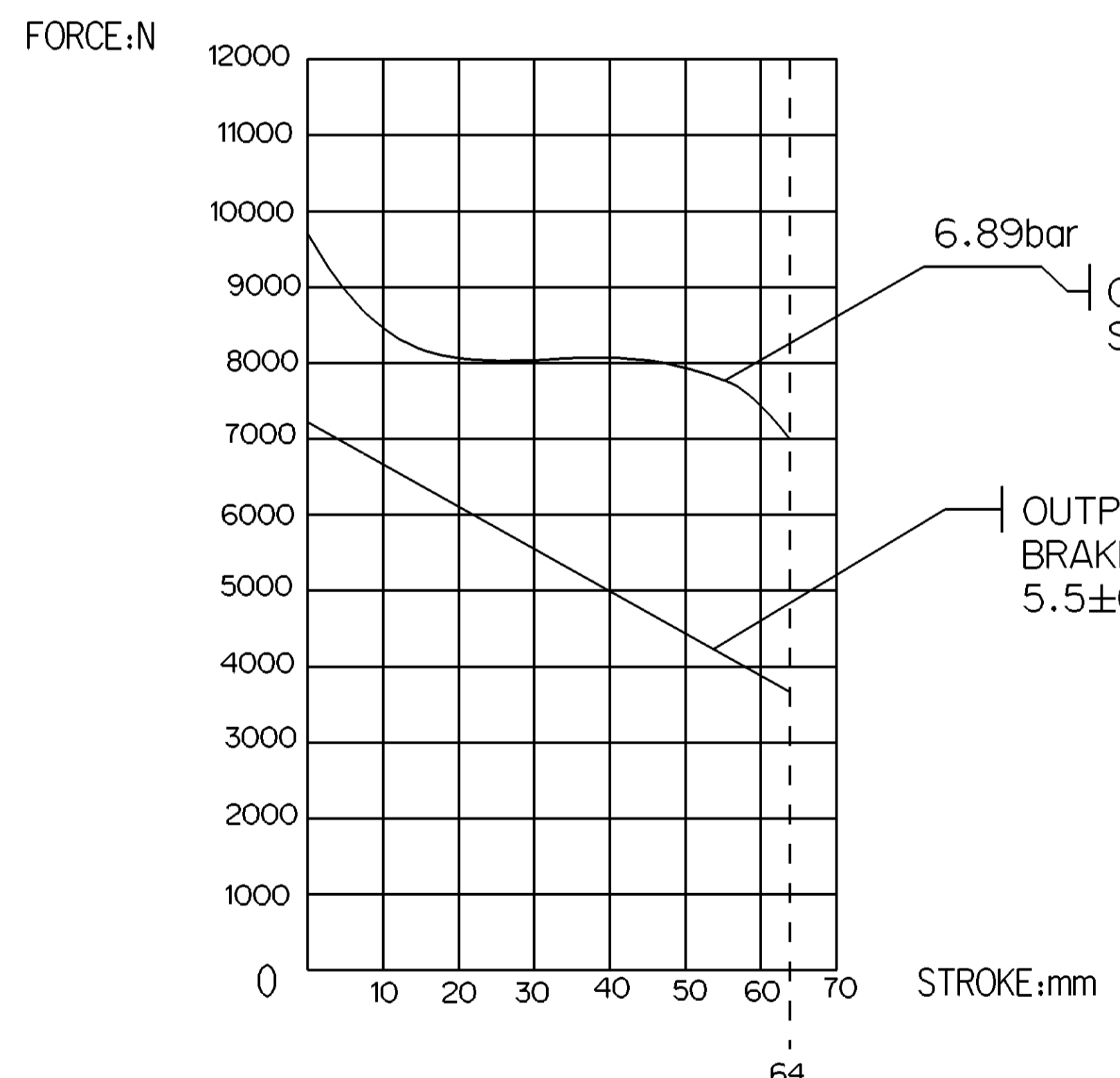
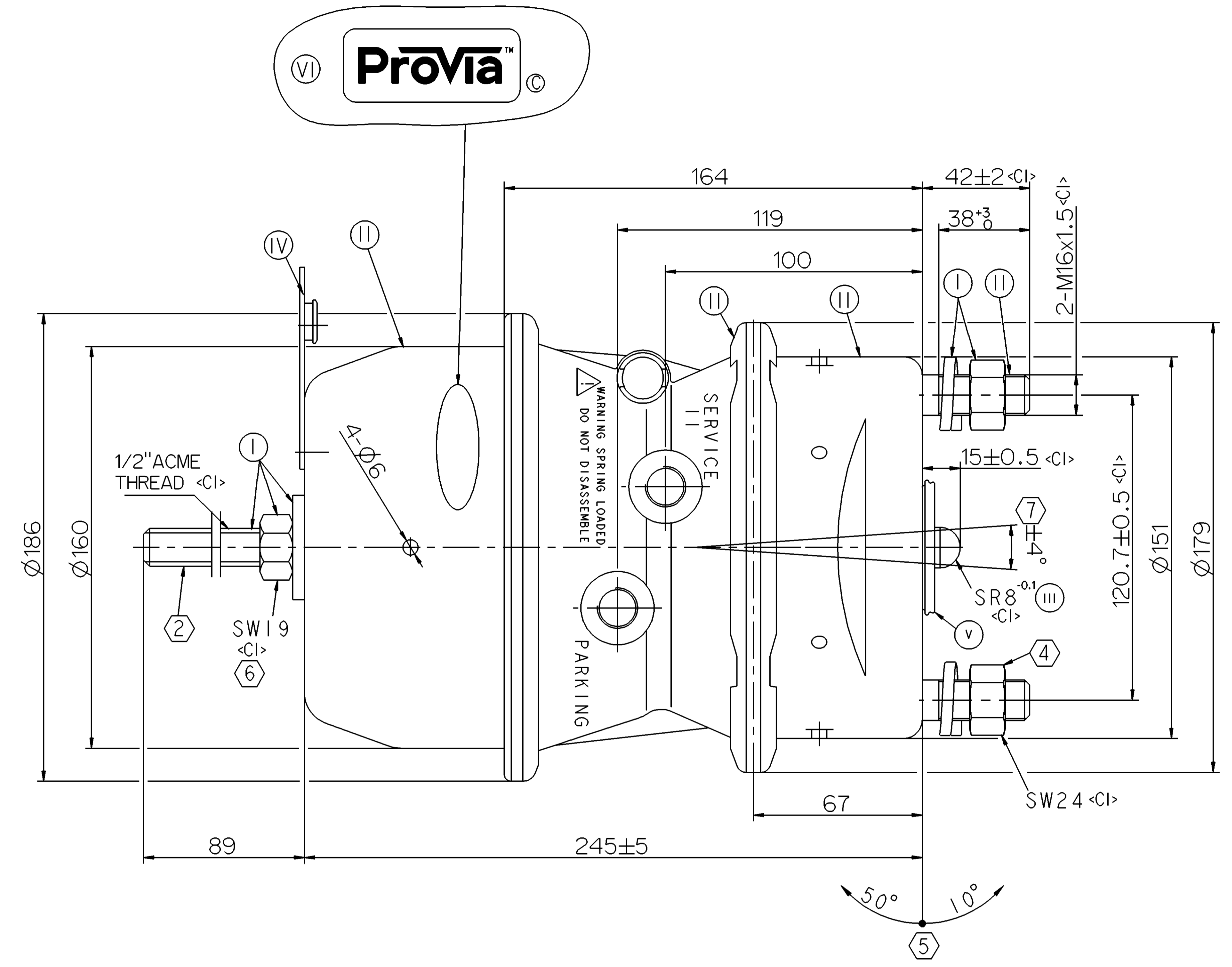
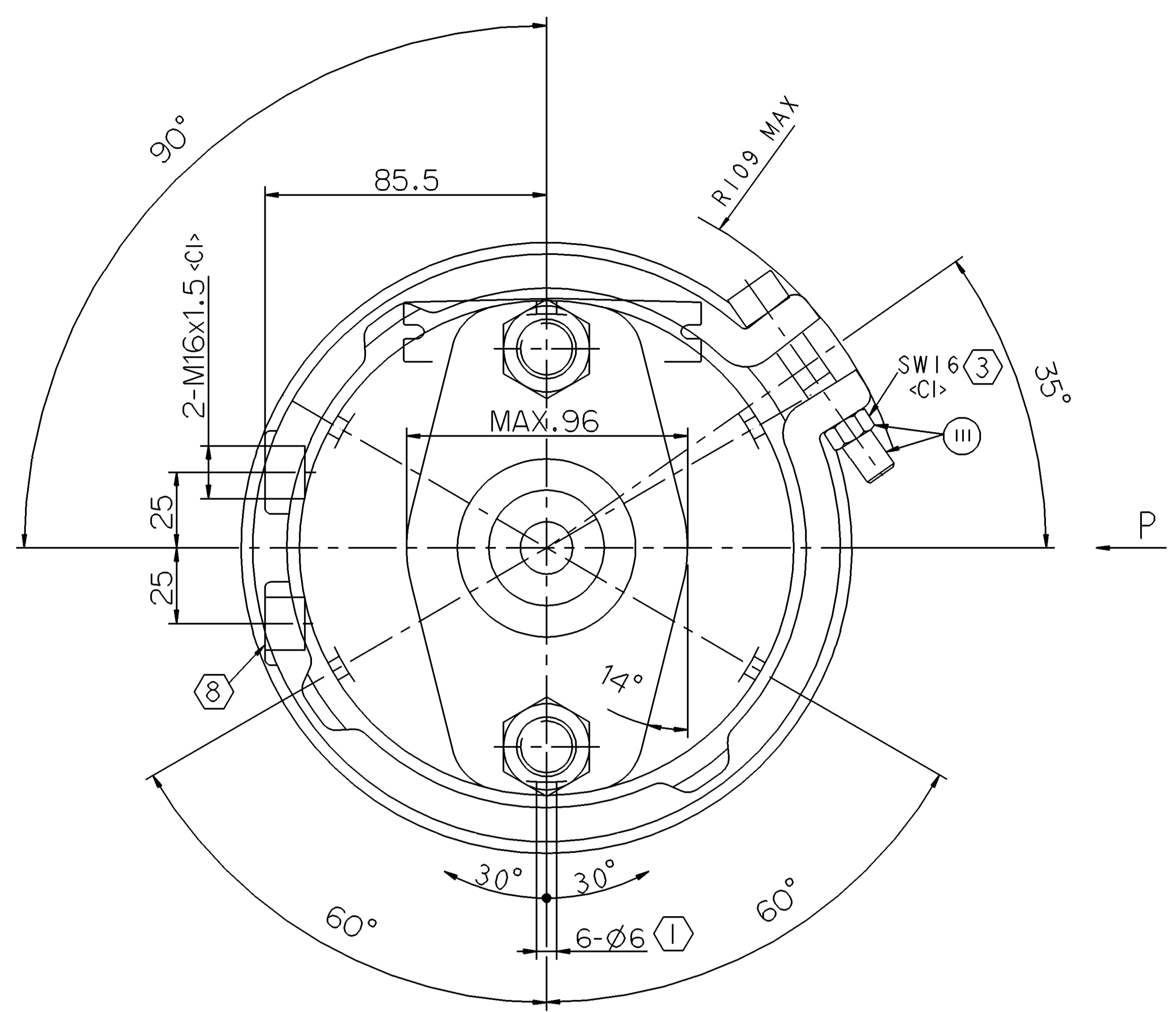


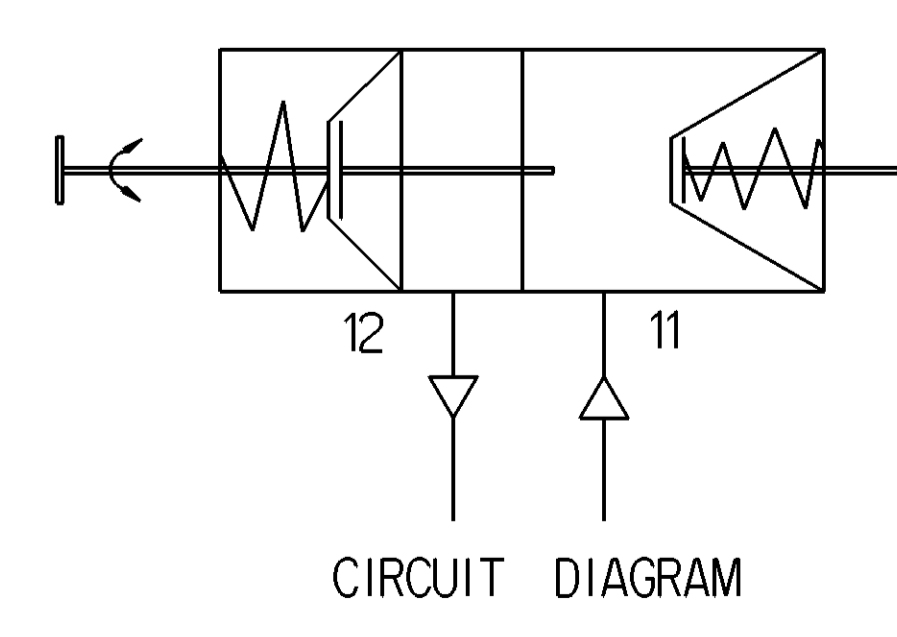
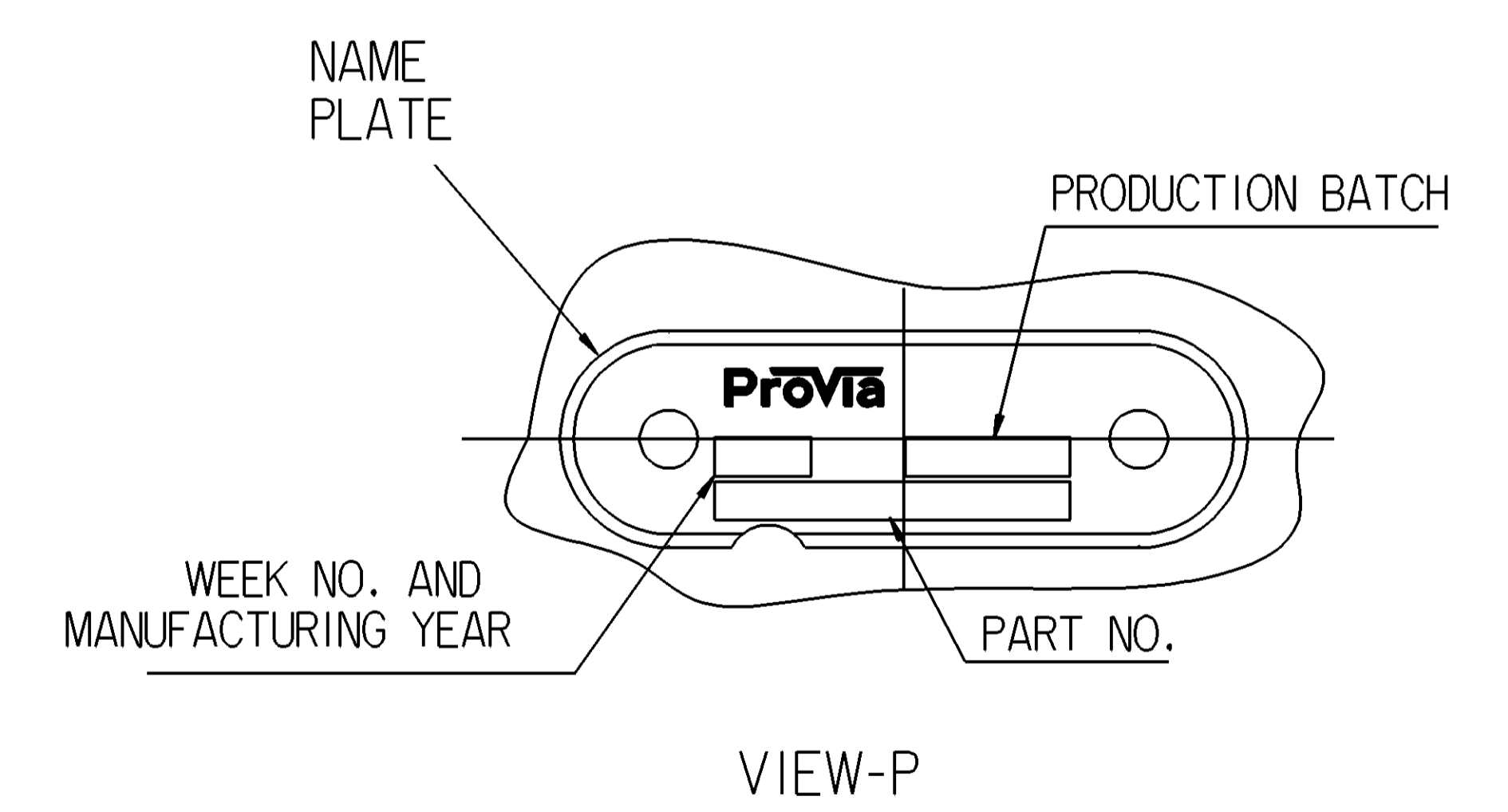
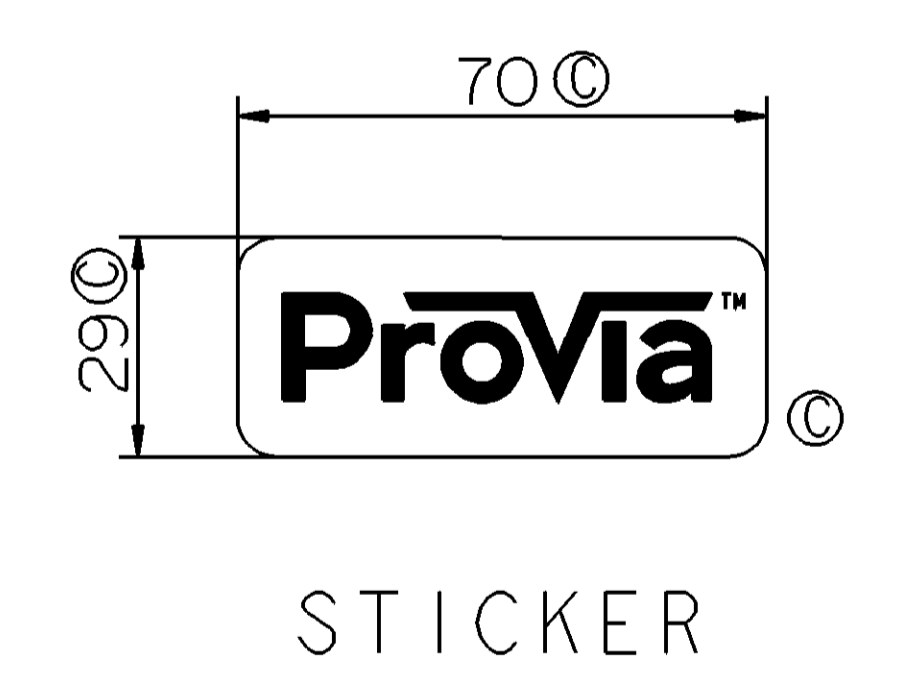
SURFACE PROTECTION	
I	ZINC PLATED WITH CR6+ FREE
II	ELECTRO-PAINTING
III	DACROMET
IV	HARD POLYETHYLENE
V	RUBBER
VI	STICKER



- ① OPEN BREATHER HOLE
- ② CONDITION AS SUPPLIED : PARKING BRAKE IN RELEASED
- ③ TORQUE: $\geq 25\text{Nm}$
- ④ TORQUE: $220 \pm 20\text{ Nm}$
- ⑤ ADMISSIBLE INSTALLATION POSITION
- ⑥ TORQUE: MAX. 25Nm
- ⑦ DEFLECTION: 8° MAX AT STROKE: 0 mm
- ⑧ TORQUE: 34Nm MAX.

TECHNICAL REQUIREMENT

1. STROKE:
PARKING CHAMBER: $\geq 64\text{mm}$
SERVICE CHAMBER: $\geq 64\text{mm}$;
2. WORKING PRESSURE:
SERVICE CHAMBER: $P_{\text{max}} 10.5\text{ bar}$, TEMPORARILY 13 bar MAX;
PARKING CHAMBER: $P_{\text{max}} 8.5\text{ bar}$, TEMPORARILY 10 bar MAX
3. WORKING TEMPERATURE: $-40^\circ\text{C}..+80^\circ\text{C}$
4. AIR VOLUME OF SERVICE BRAKE PART AT 2/3 STROKE: 670 cm^3
5. WORKING MEDIUM: AIR



GRAPHS FOR INFORMATION ONLY

General Specification: EB-324-1, Size ISO 14405 LP		Copyright: ProVia	
Further Technical Data: PRO 712 0		Date: 2020-10-13	
Doc. Code: 048		Sheet: 1 of 07	
Revision: 01		Drawn: S. S. S.	
General Tolerances: ISO 2011		Checked: S. S. S.	
Date: 2020-10-13		Project: PRO 712 003 0	
Class: 10		Material No.: 005	
File: 0.5		Date of first issue: 2020-07-13	
Medium: 1.0		Doc. Code: Language: EN	
Size: 2.0		Revision: 005	
Tapped holes acc.:		Replacement for:	
1) Tolerance class: Appart. Chromiemed		Replacement for:	