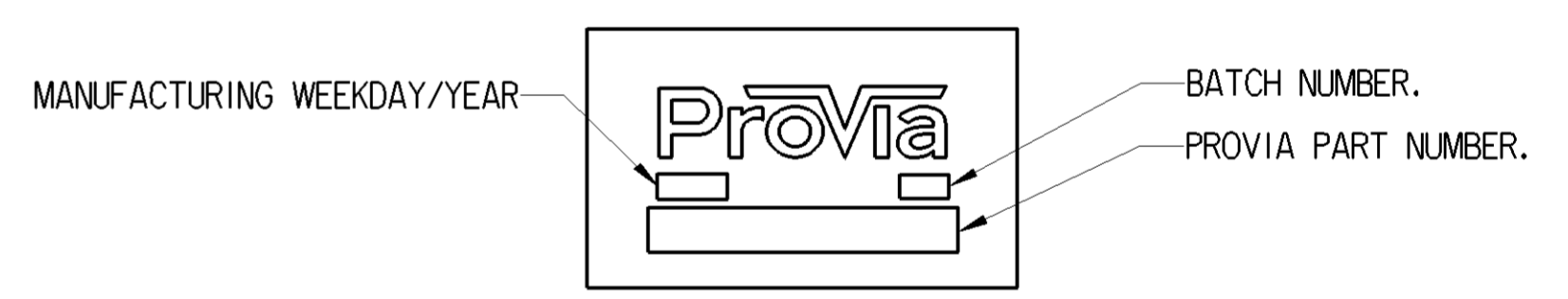
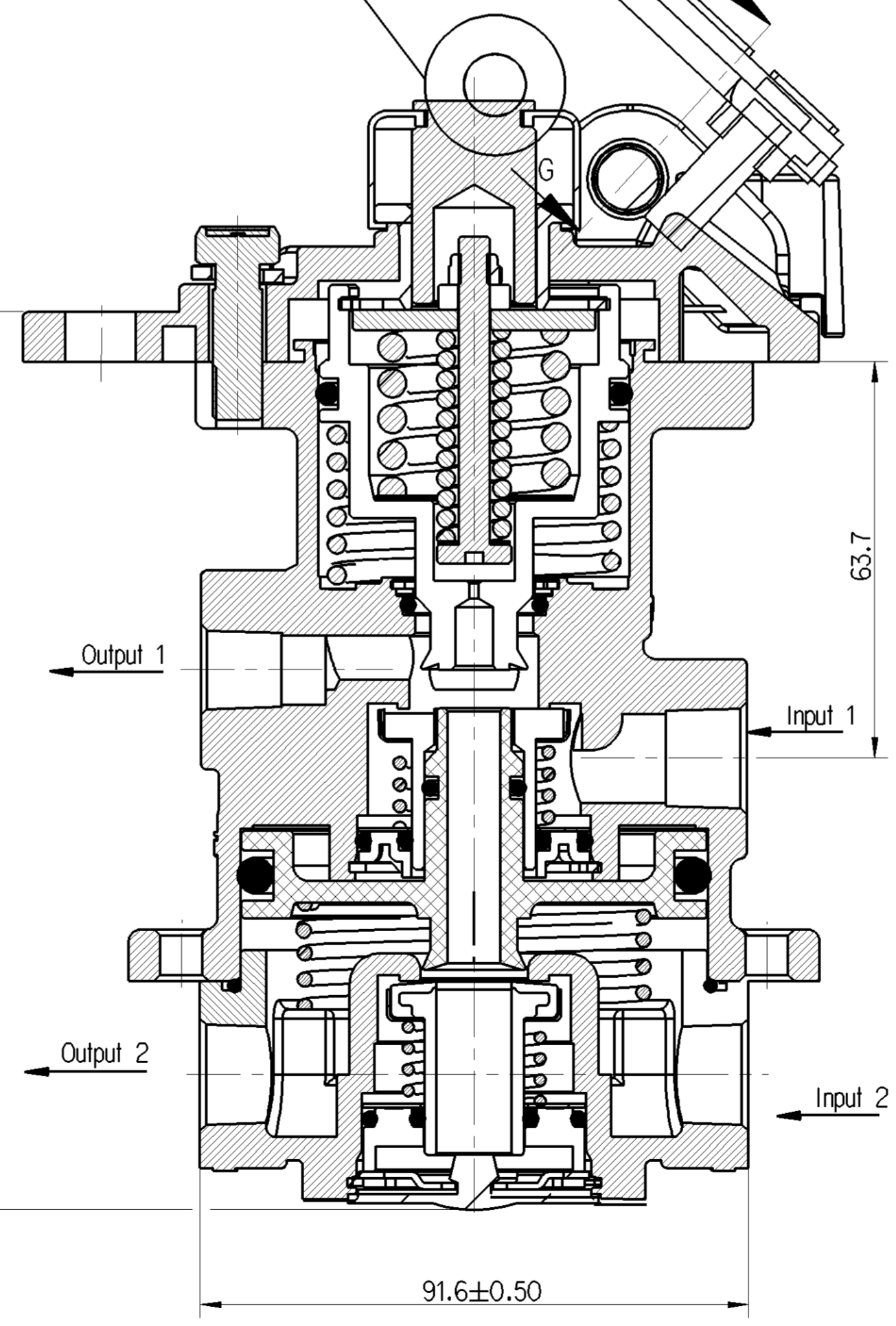
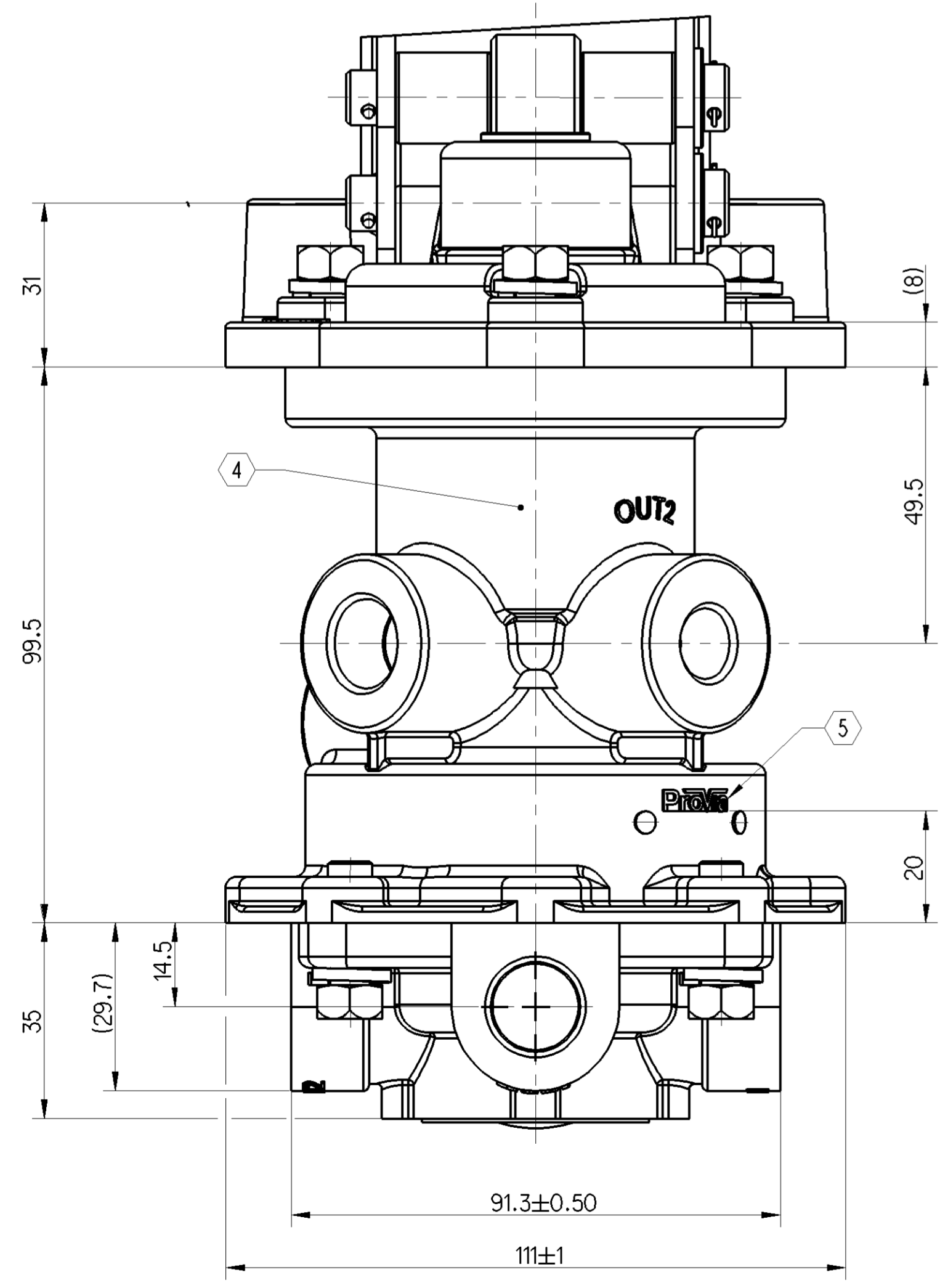


Pedal angle(°)	2.5-6.5	15-19	20.5-24.5	22-26
Out air pressure(Kgf/cm) ²	0.2	3	6	8.5

- AIR LEAK TEST (NORMAL TEMPERATURE)
 - 1-1.STATIC : OUT AIR PRESSURE 7.0 kgf/cm²
LEAKAGE : WITHIN 3 sec. < 30pa
 - 1-2.DYNAMIC : OUT AIR PRESSURE 7.0 kgf/cm²
LEAKAGE : WITHIN 3 sec.<30pa
- TIGHTENING TORQUE
 - 2-1. (2) x7 M8 BOLT : 17±3.5 N-m
- MAXIMUM SUPPLY PRESSURE : 8.5 kgf/cm²
- STICKER PASTING LOCATON



LOGO SIZE : 16 x 4
FOR PROVIA LOGO SPECIFICATION REFER JED-868



General Specifications: JED-334-1 - Size ISO 14405 LP		Copyright WABCO®	
Further Technical Data: PRO 315 003 0		Date: 2019-01-29	Signature: Sampath
Doc. Code: 035	Sheet: 01 To 06	Checked: Yerachaelvan	
General Tolerances JED-261		Expert: Suresh Gayakwad	
Range of Nominal Dimensions (± mm)			
Class	1) ≤ 50	2) > 50 ≤ 180	3) > 180 ≤ 400
Fine	0.5	1.0	1.5
Medium	1.0	2.0	3.0
Coarse	2.0	3.5	5.0
Tapped Holes acc.			
1) Tolerance Class Applied Crossmarked			
Mass: 2.44 kg	Scale: 1:1 (1:2)	Material No.:	Date of first issue: 2019-01-04
Size: A 1	CREO	Doc. Code: 500583	Revision: 3x
PRO 315 003 0		Language: EN	Sheet: 1/1
5180_AM		Replacement for:	

Non è permesso copiare o riprodurre questo documento, né utilizzare il contenuto a fini commerciali senza permesso scritto dalla WABCO. È vietata espressamente la ristampa o l'uso non autorizzato senza permesso scritto dalla WABCO. Toute réimpression ou utilisation non autorisée sans la permission écrite de la WABCO est formellement interdite. Toute utilisation non autorisée sera considérée comme une violation des droits de propriété intellectuelle. All rights reserved. No part of this document may be reproduced or transmitted in any form or by any means electronic, mechanical, photocopying, recording, or by any information storage and retrieval system without the prior written permission of WABCO.