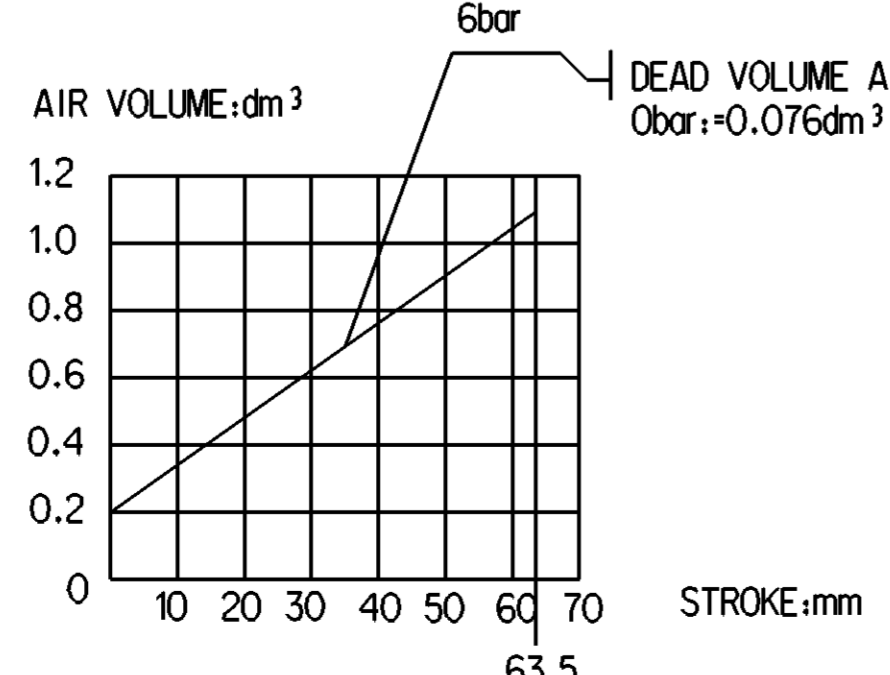
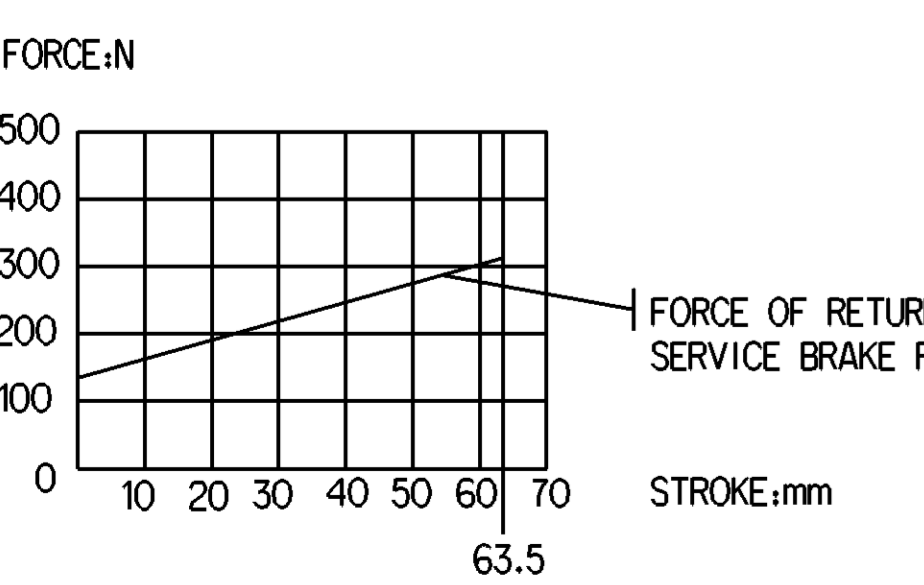
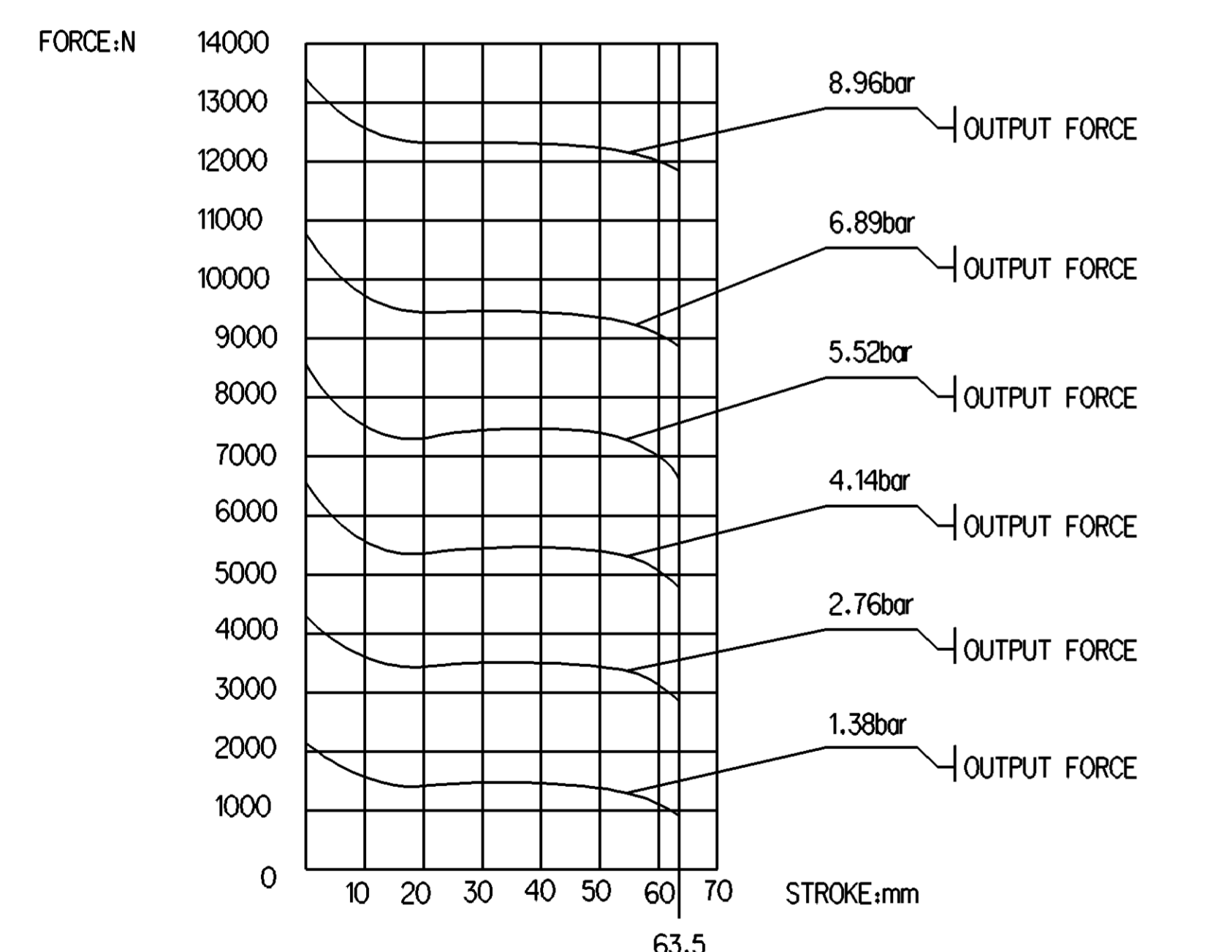
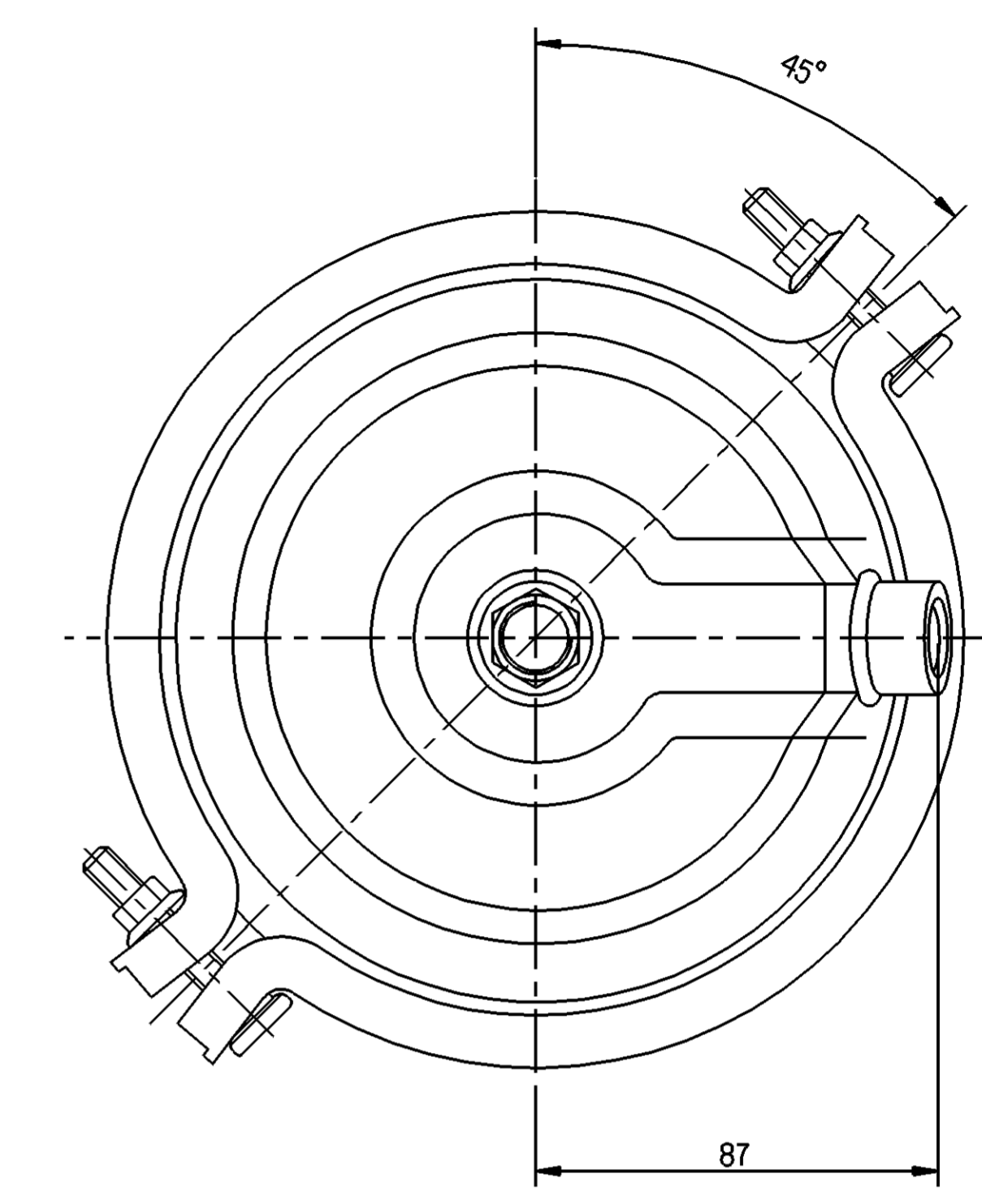
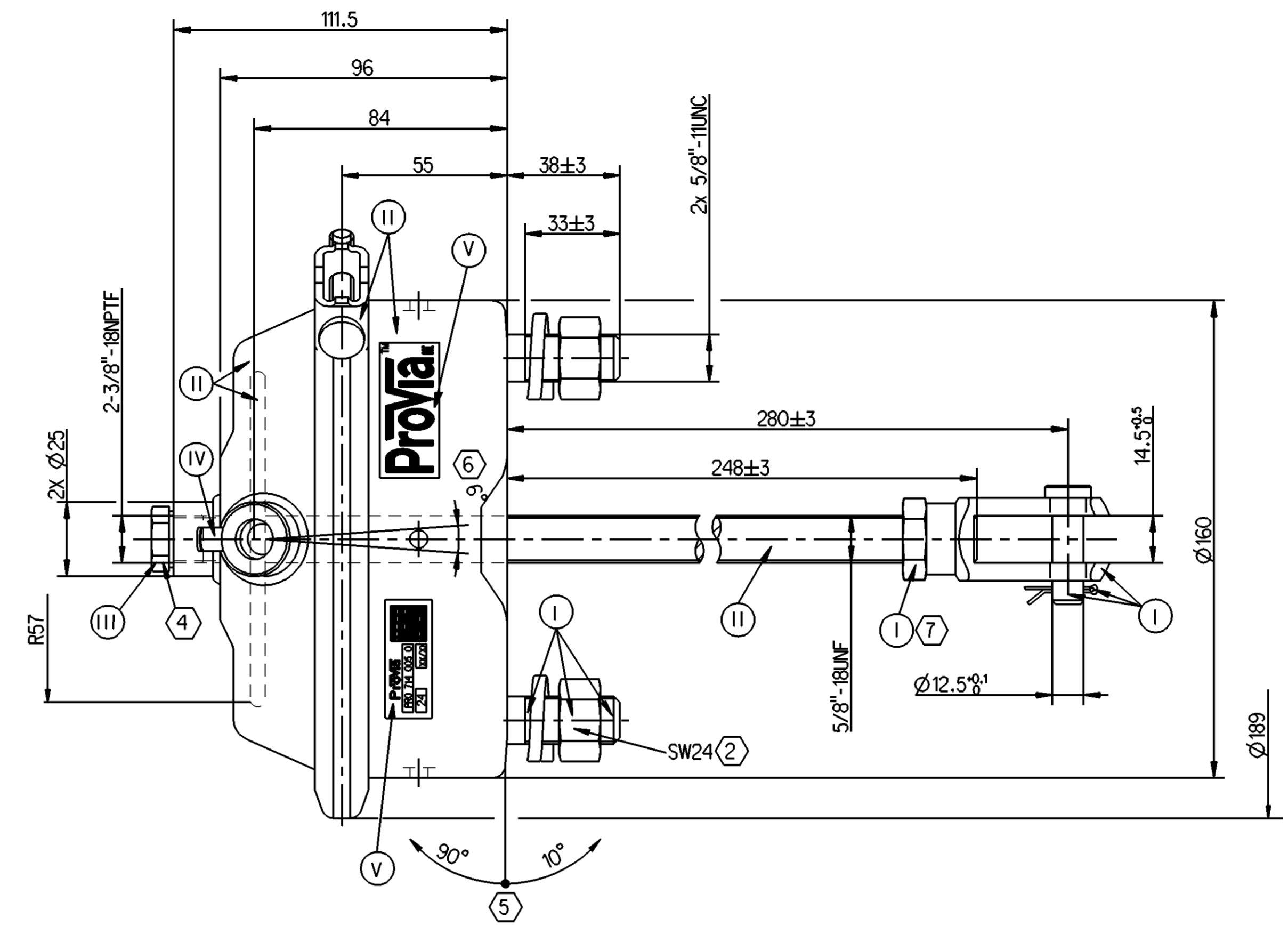
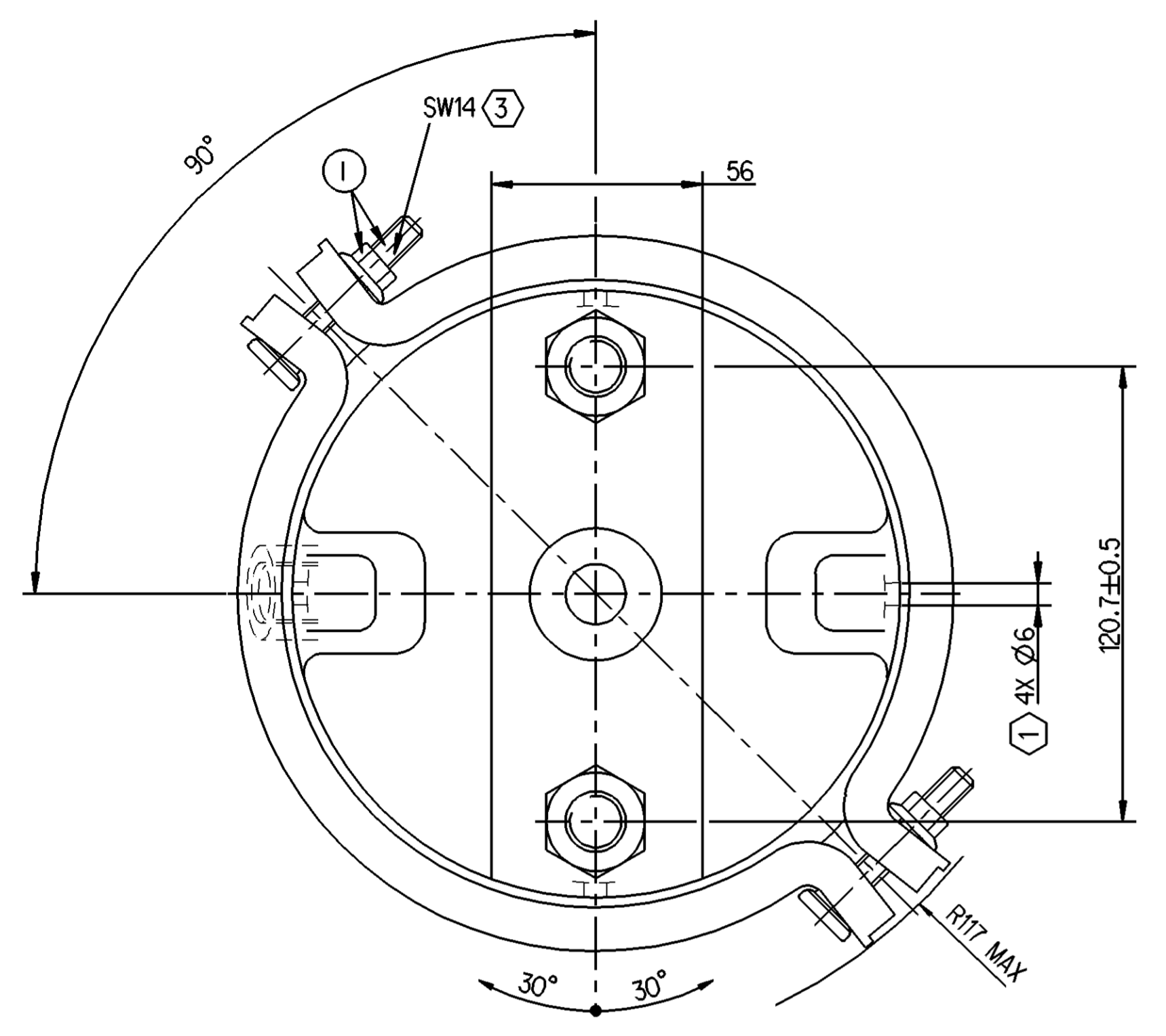


SURFACE PROTECTION	
I	ZINC PLATED WITH CR6+ FREE
II	ELECTRO-PAINTING
III	DACROMET
IV	HARD POLYETHYLENE
V	STICKER

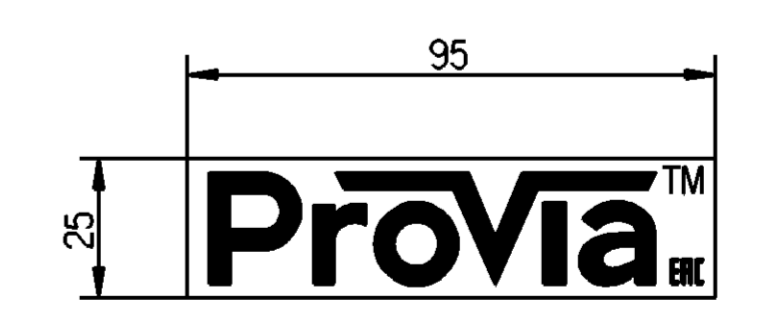
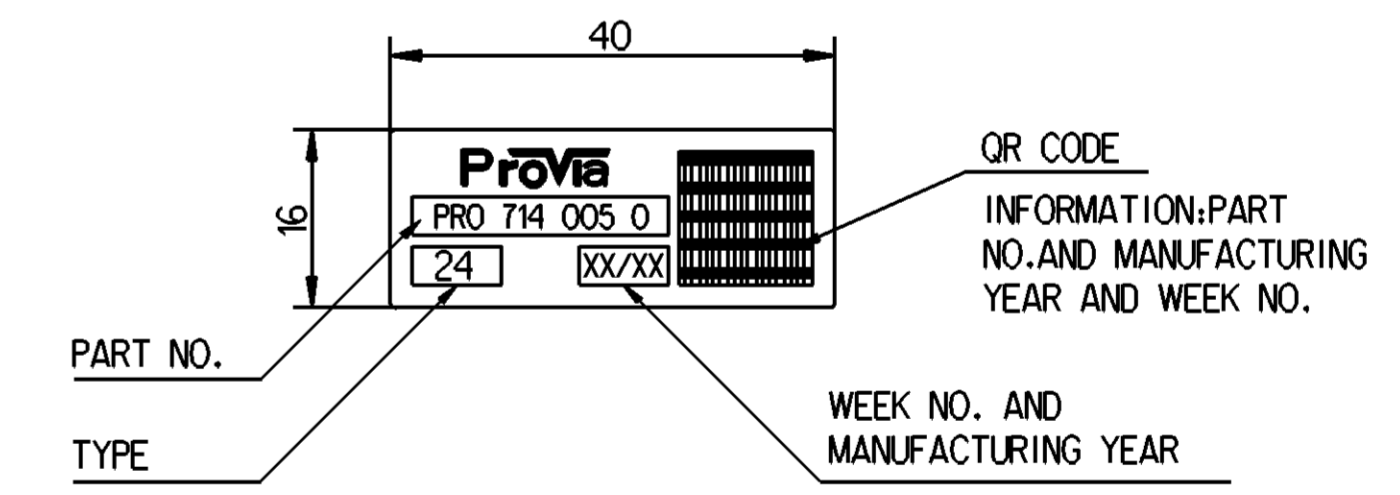
<-	SAFETY CHARACTERISTICS	0
<->	SIGNIFICANT CHARACTERISTICS	0



GRAPHS FOR INFORMATION ONLY

- ① OPEN BREATHER HOLE
- ② TORQUE: 220±20 Nm
- ③ TORQUE: ≥25Nm
- ④ TORQUE: 45±5Nm
- ⑤ ADMISSIBLE INSTALLATION POSITION
- ⑥ DEFLECTION: 6° MAX AT STROKE:0 mm
- ⑦ TORQUE: 80±10Nm

TECHNICAL REQUIREMENT:REQUIREMENT:
 1.STROKE: ≥63.5mm;
 2.WORKING PRESSURE: Pmax. 8.5 bar, Temporarily 10 bar;
 3.WORKING TEMPERATURE:-40°C...+80°C 0(-40°F...+176°F);



NAME PLATE A

General Specifications: JED-334-1 - Size ISO 14405 LP		Copyright WABCO®		Date: _____		Signature: _____	
Further Technical Data: PRO 714 016 0		Doc. Code: 035		Sheet: 01 To 05		Date: 2019-09-20	
General Tolerances JED-261		Checked: Saravanan		Expert: Yerrahachelvan		Date: 2019-10-04	
Range of Nominal Dimensions (± mm)		Mass: 3,4 kg		Scale: 1:1		Material No.: PRO 714 005 0	
Class 1) ≤ 50 > 50 > 180 > 400		Size: CAD System		Ech.No.: _____		Revision: _____	
Fine X 1,0 2,0 3,0 4,0 ±3°		Tapped Holes acc. JED-686		Tech. Resp.: _____		Replacement for: _____	
Coarse 2,0 3,5 5,0 6,5		1) Tolerance Class Applied Crossmarked		Doc.Code: 5340_AM		Language: EN	
		A 1 CREO		Date of first issue: 2019-10-04		Sheet: 1/1	