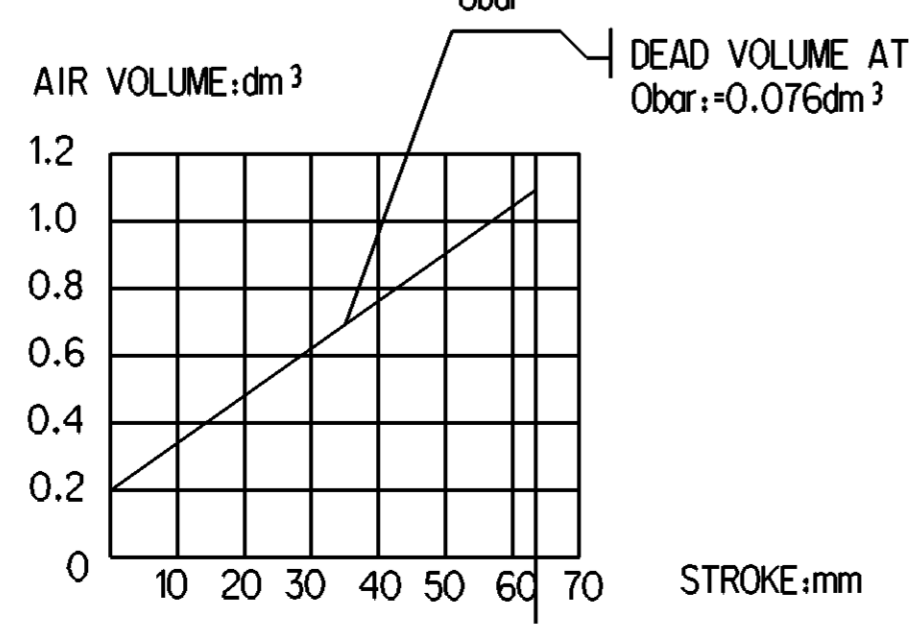
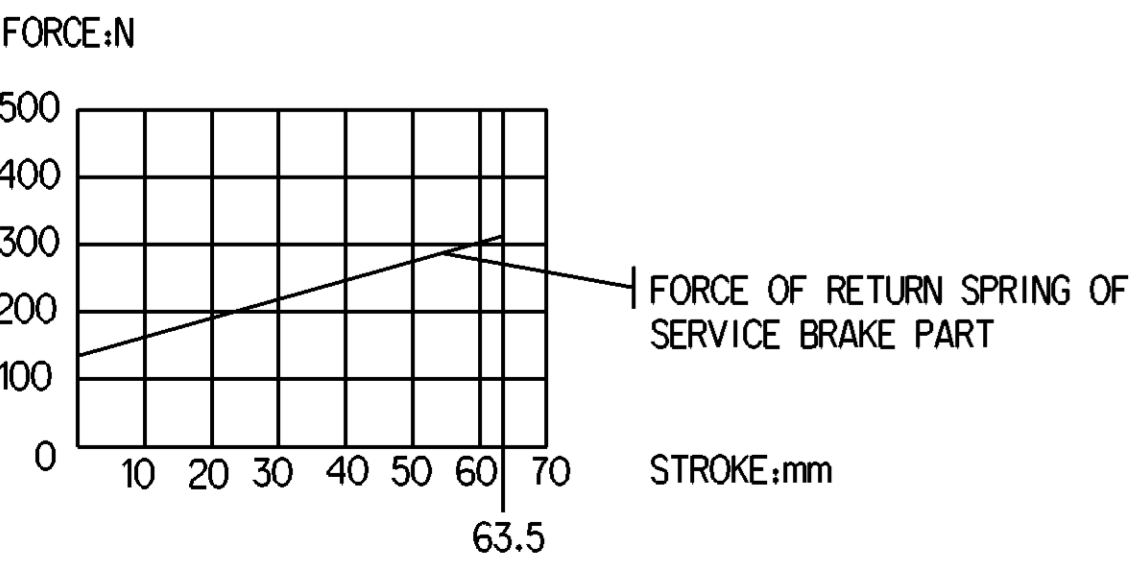
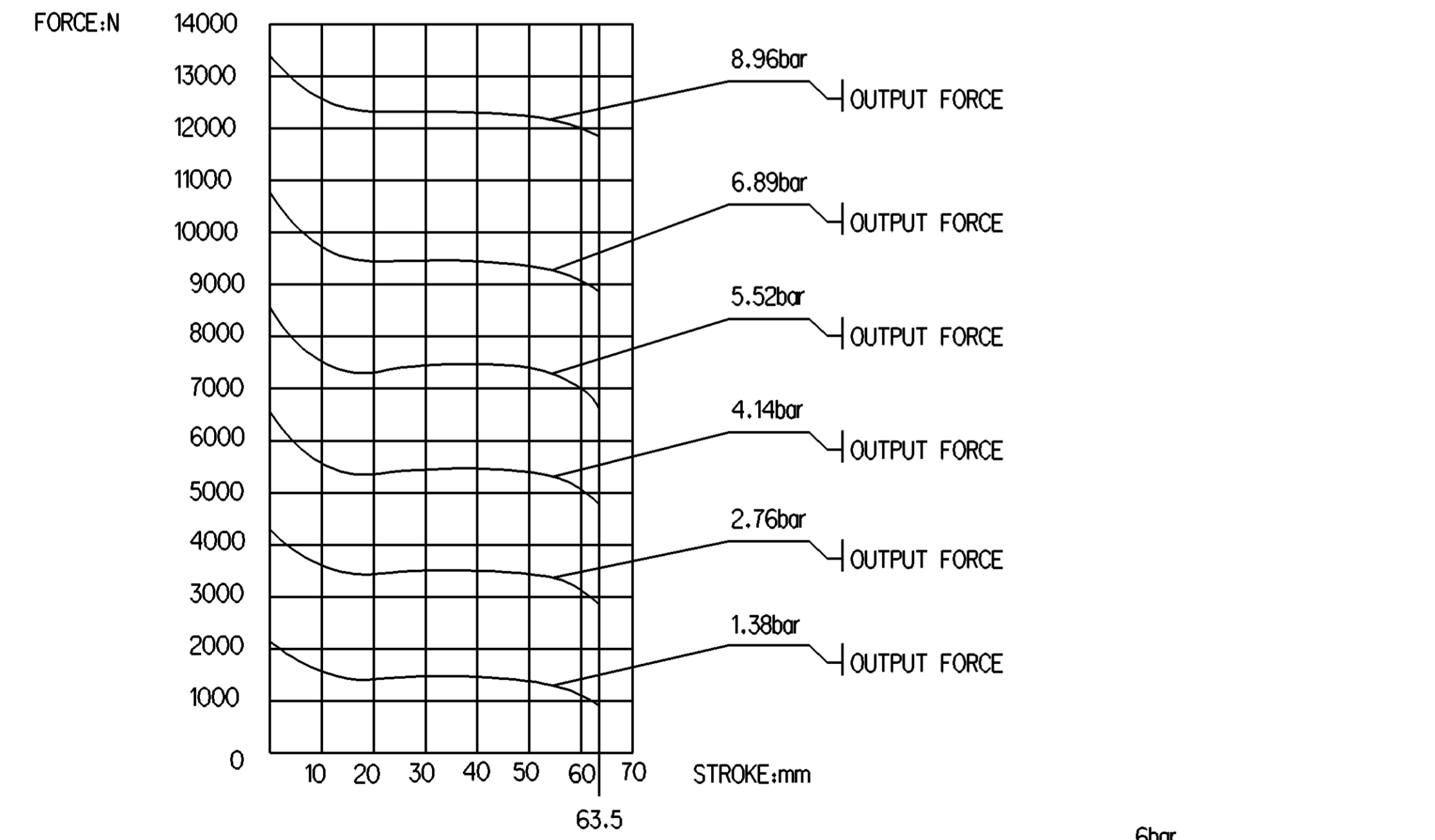
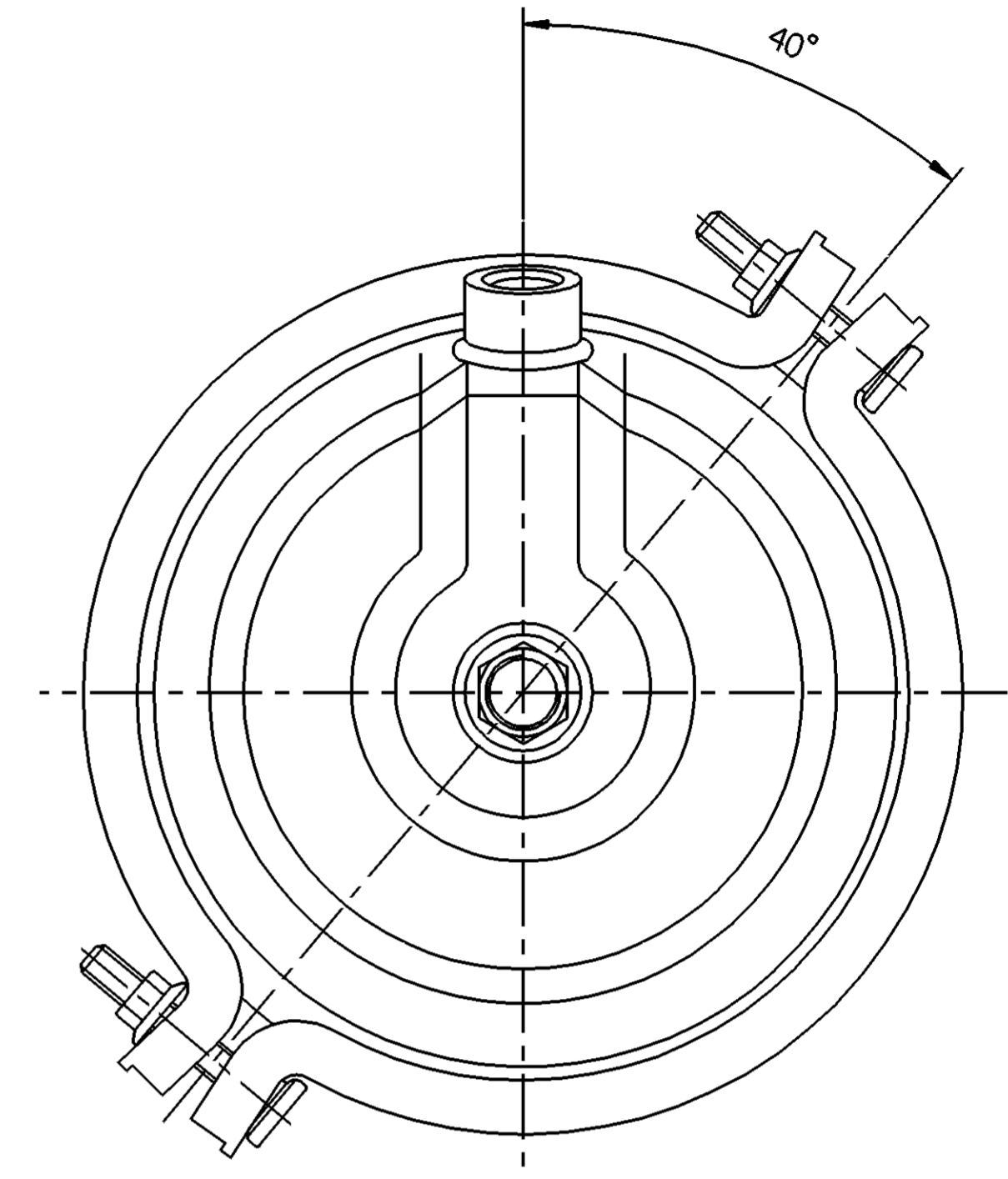
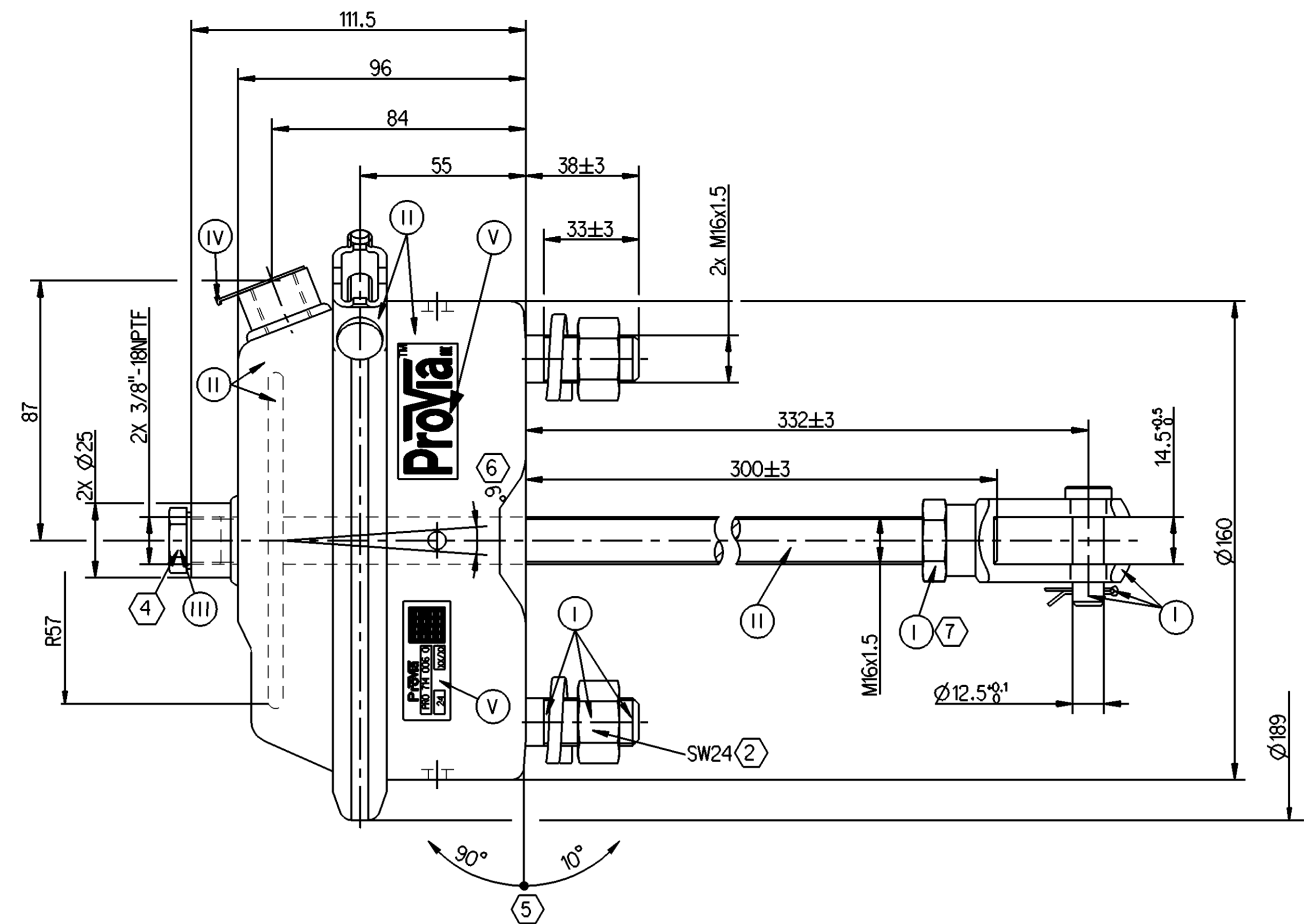
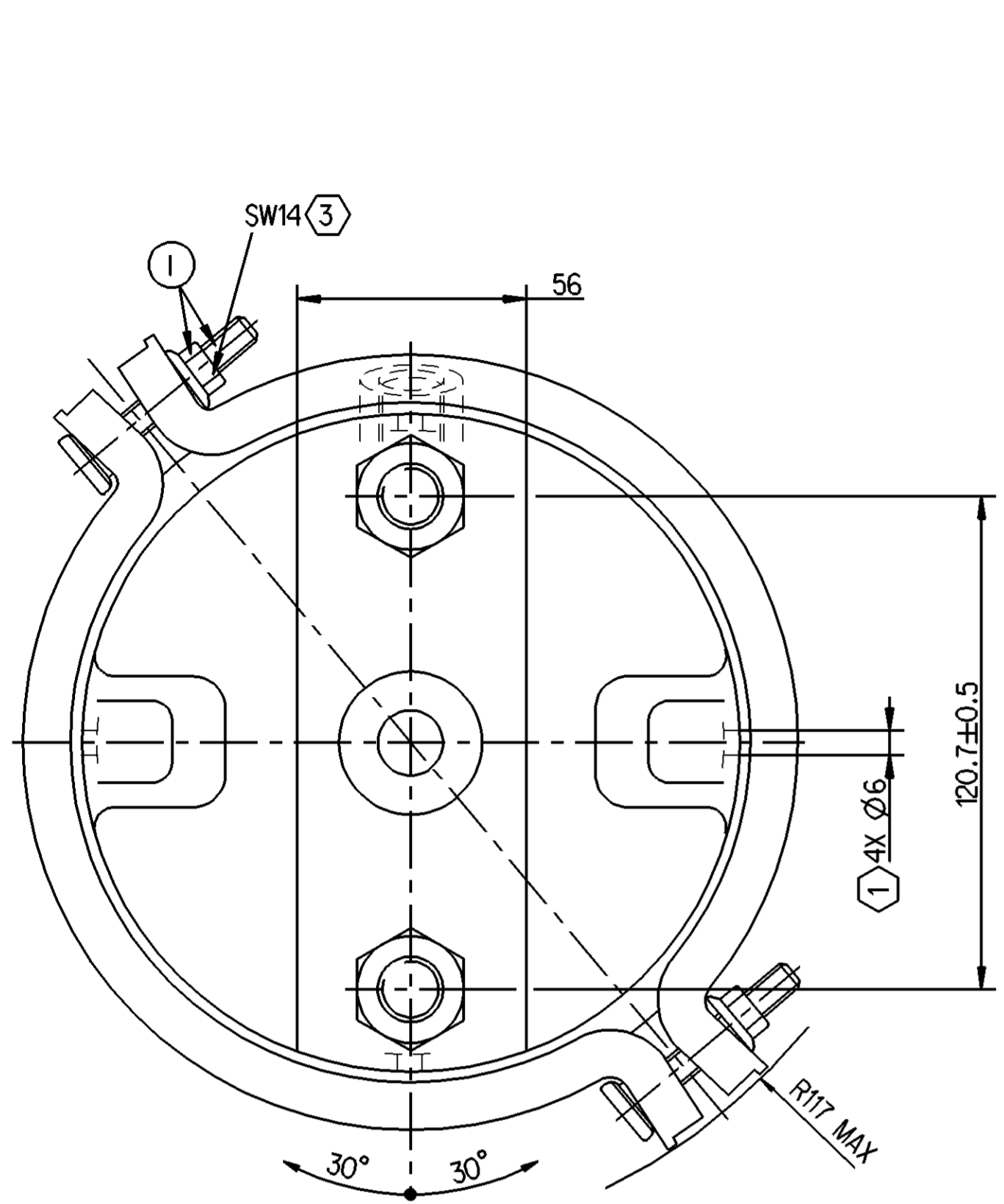


SURFACE PROTECTION	
I	ZINC PLATED WITH CR6+ FREE
II	ELECTRO-PAINTING
III	DACROMET
IV	HARD POLYETHYLENE
V	STICKER

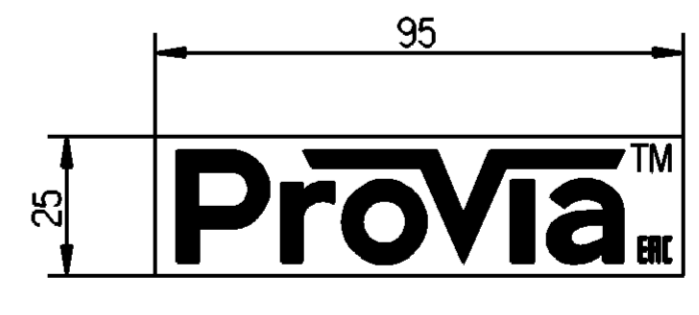
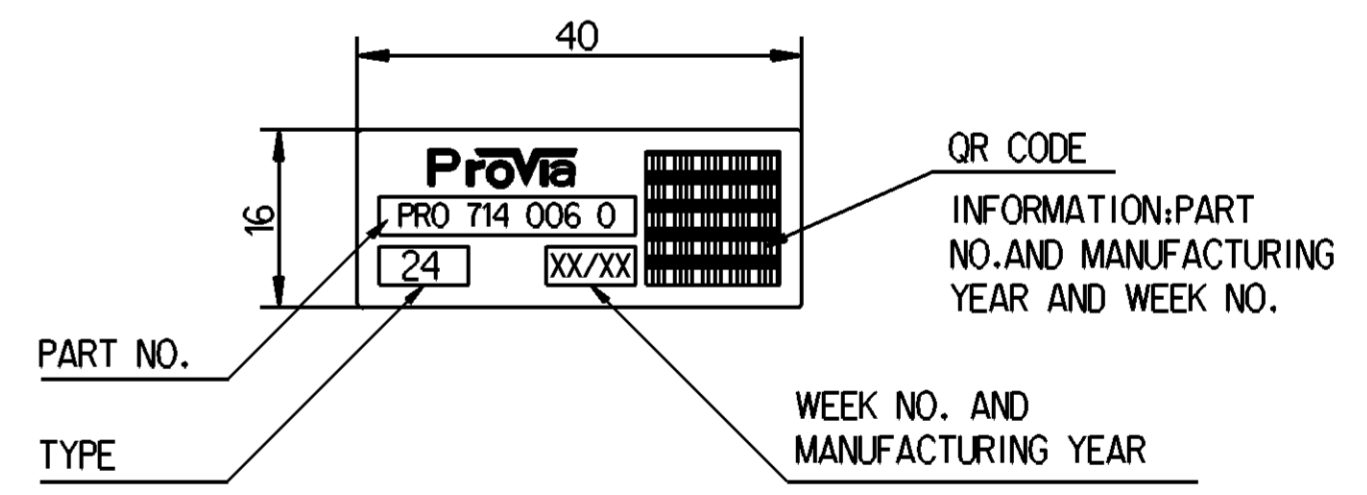
<1> SAFETY CHARACTERISTICS	0
<2> SIGNIFICANT CHARACTERISTICS	0



- ① OPEN BREATHER HOLE
- ② TORQUE: 220±20 Nm
- ③ TORQUE: ≥25Nm
- ④ TORQUE: 45±5Nm
- ⑤ ADMISSIBLE INSTALLATION POSITION
- ⑥ DEFLECTION: 6° MAX AT STROKE:0 mm
- ⑦ TORQUE: 80±10Nm

TECHNICAL REQUIREMENT:REQUIREMENT:

- 1.STROKE: ≥63.5mm;
- 2.WORKING PRESSURE:
Pmax. 8.5 bar, Temporarily 10 bar;
- 3.WORKING TEMPERATURE:-40°C...+80°C (-40°F...+176°F);



General Specifications: JED-334-1 - Size ISO 14405 LP		Copyright WABCO®		Date		Signature		ProVia	
Further Technical Data: PRO 714 016 0		Doc. Code: 035		Sheet: 01		To: 05		BRAKE CHAMBER CAM 24	
General Tolerances JED-261		2019-09-20		Saranvanan		Checked		2019-10-04	
Range of Nominal Dimensions (± mm)		2019-10-04		Yerachachavan		Expert		Aswin kumar	
Class	1)	≤ 50	> 50 ≤ 180	> 180 ≤ 400	> 400	Mass	Scale	Material No.	
Fine		0.5	1.0	1.5	2.0	3.4	1:1	PRO 714 006 0	
Medium	X	1.0	2.0	3.0	4.0	±3°	Date of first issue: 2019-10-04		
Coarse		2.0	3.5	5.0	6.5	Doc.Code Language Sheet		005 EN 1/1	
Tapped Holes acc. JED-686		A 1		CREO		Ech.No.		Revision	
1) Tolerance Class Applied Crossmarked						Tech. Resp.		Replacement for	
						5340_AM			

Non e permesso copiare o riprodurre questo documento, ne utilizzare i contenuti a fini commerciali senza permesso scritto dalla WABCO. Tutti i diritti sono riservati. Toute réimpression ou utilisation non autorisée sans la permission écrite de la WABCO est formellement interdite. Toute utilisation non autorisée sera considérée comme étant illicite.