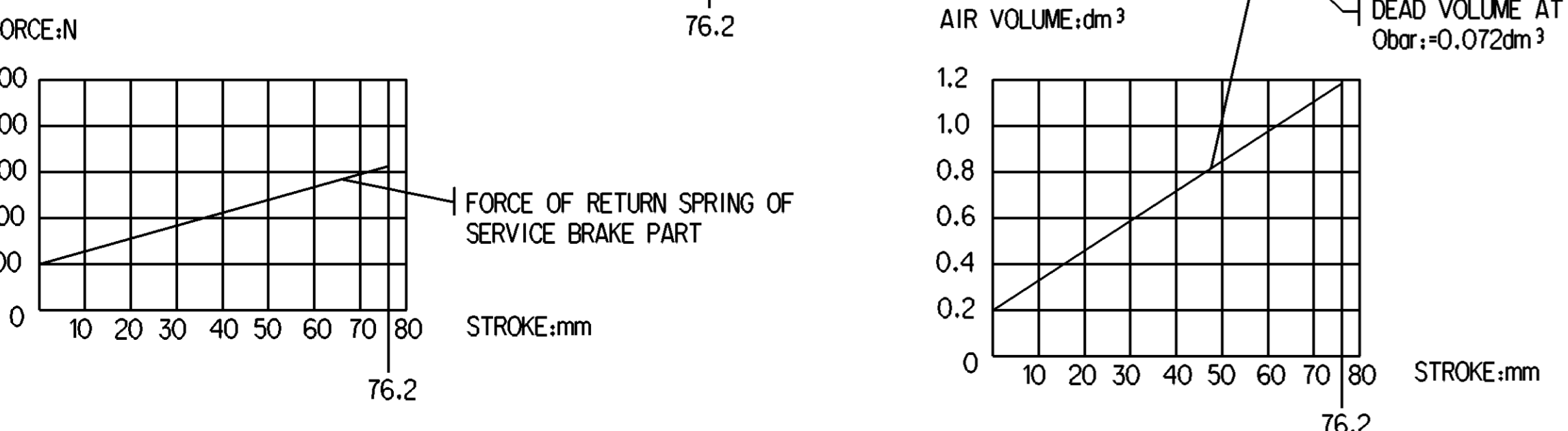
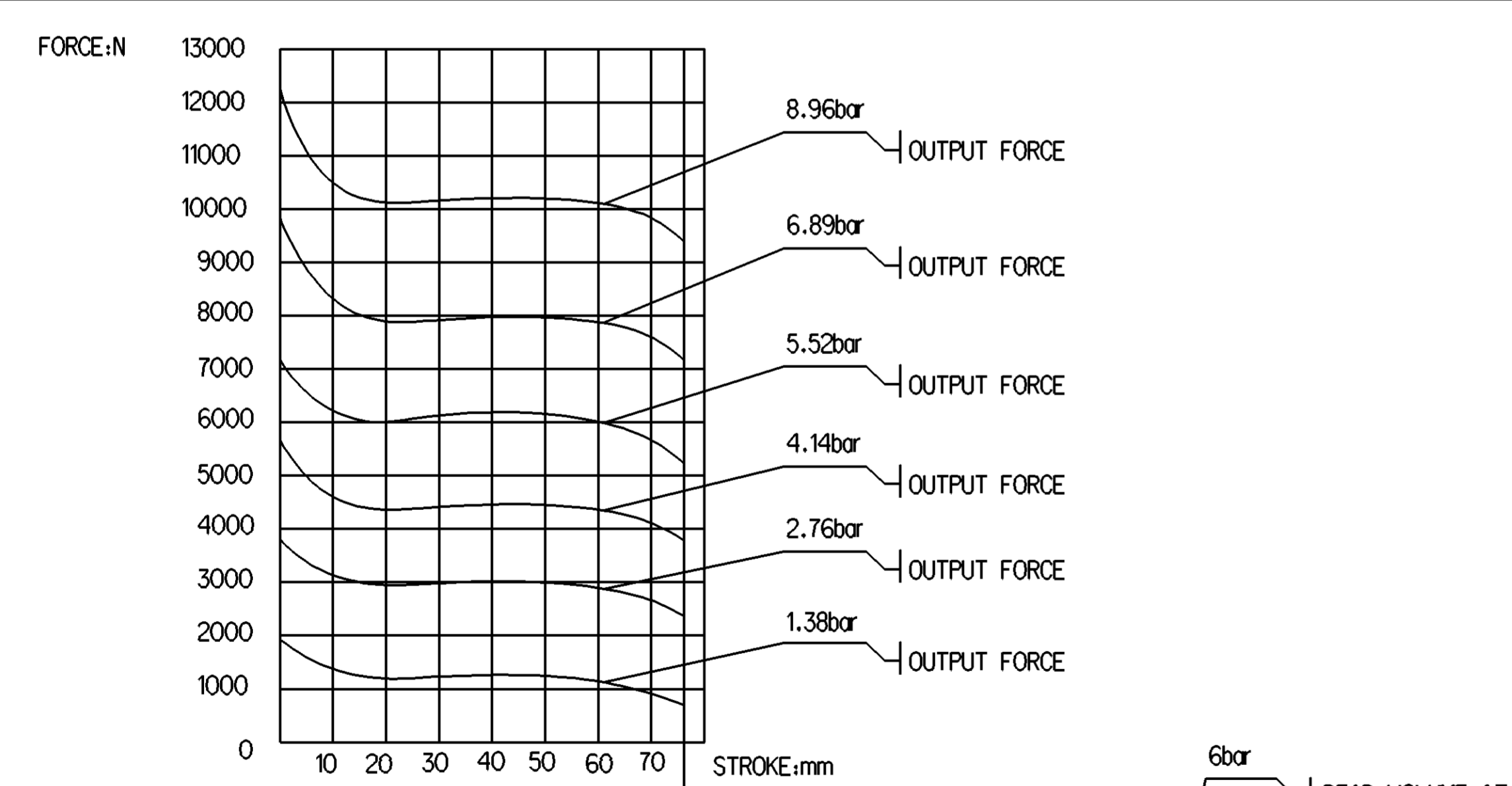
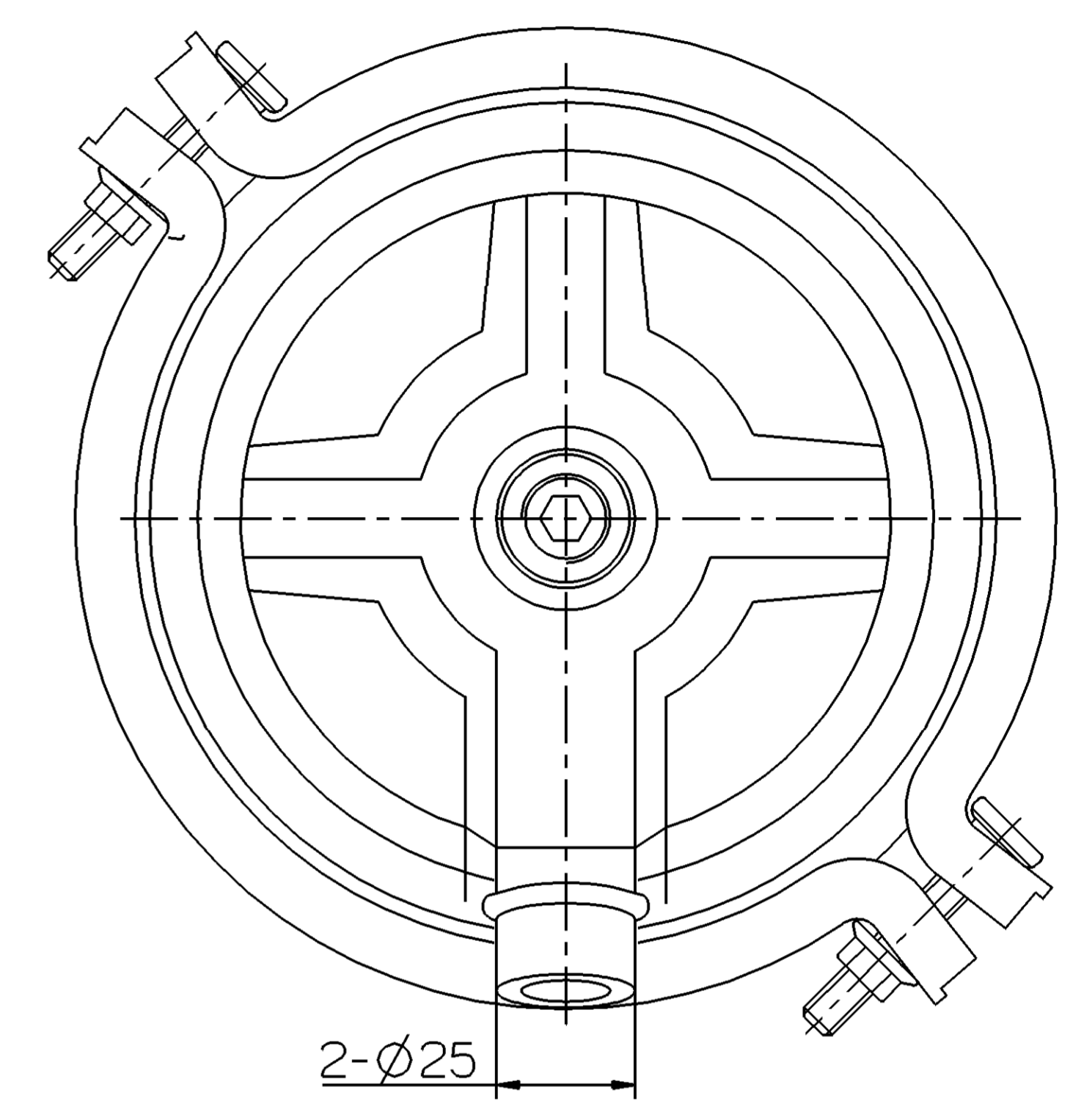
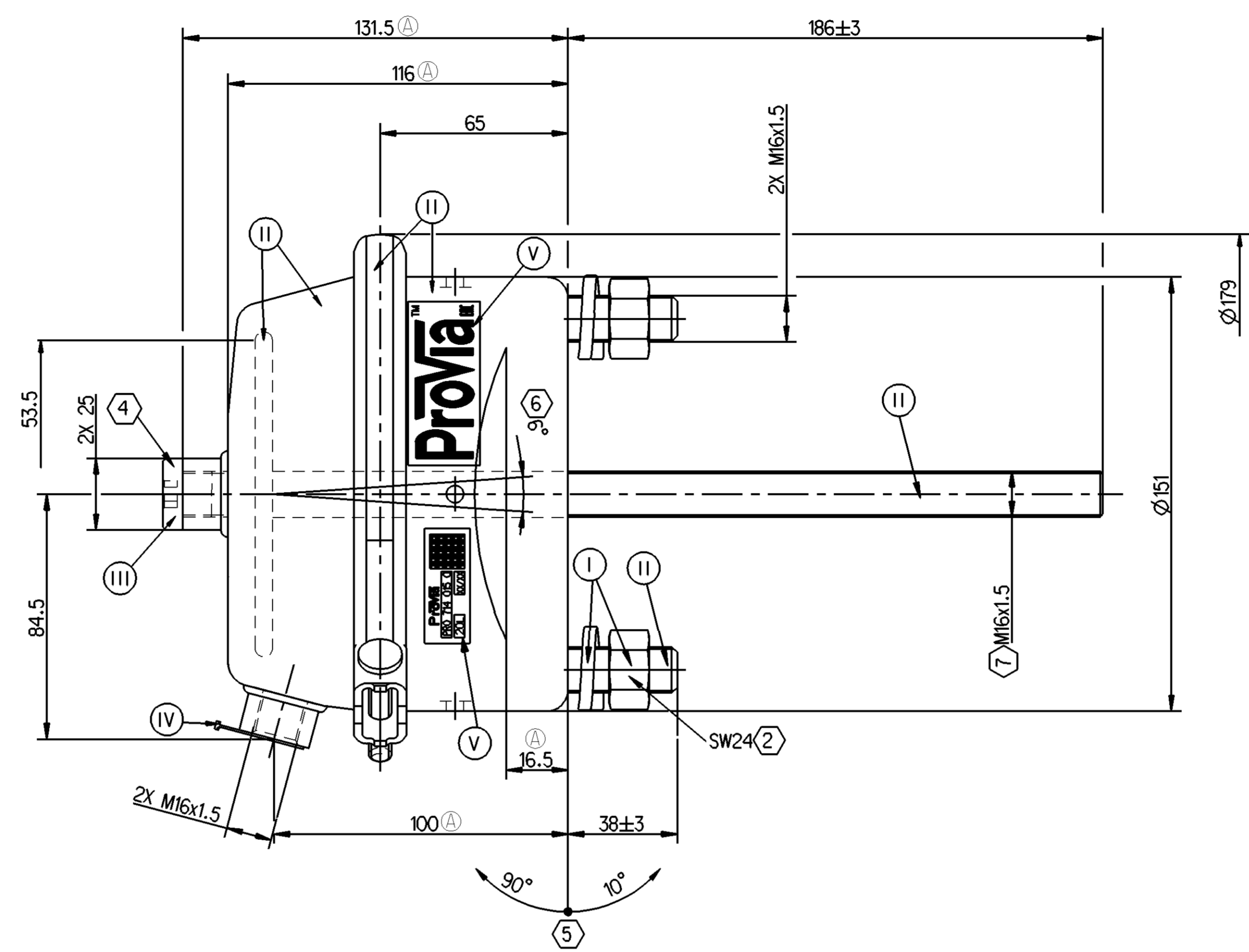
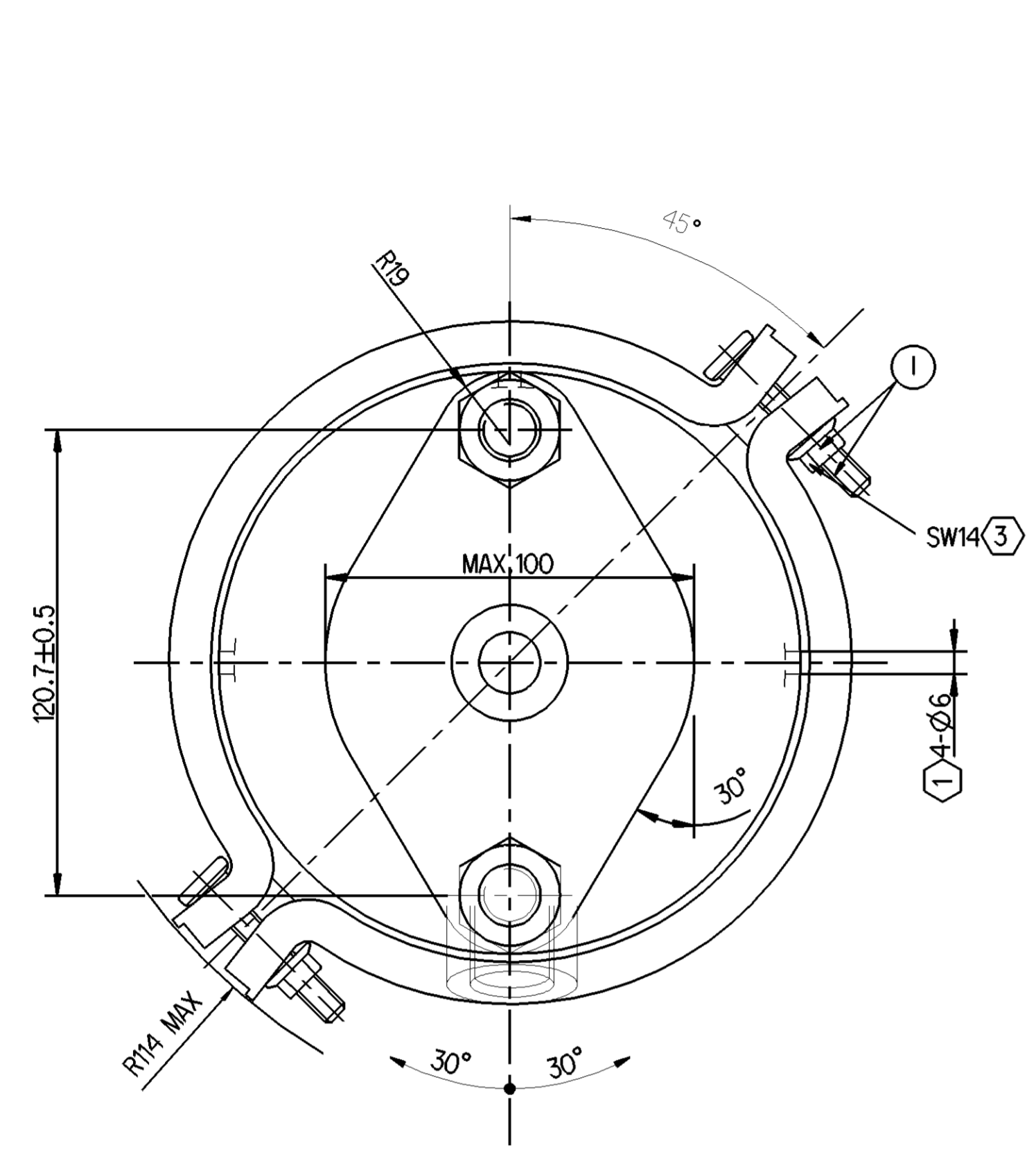


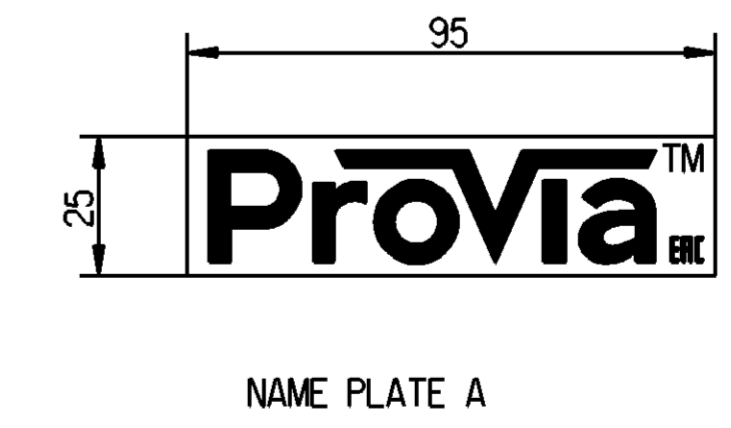
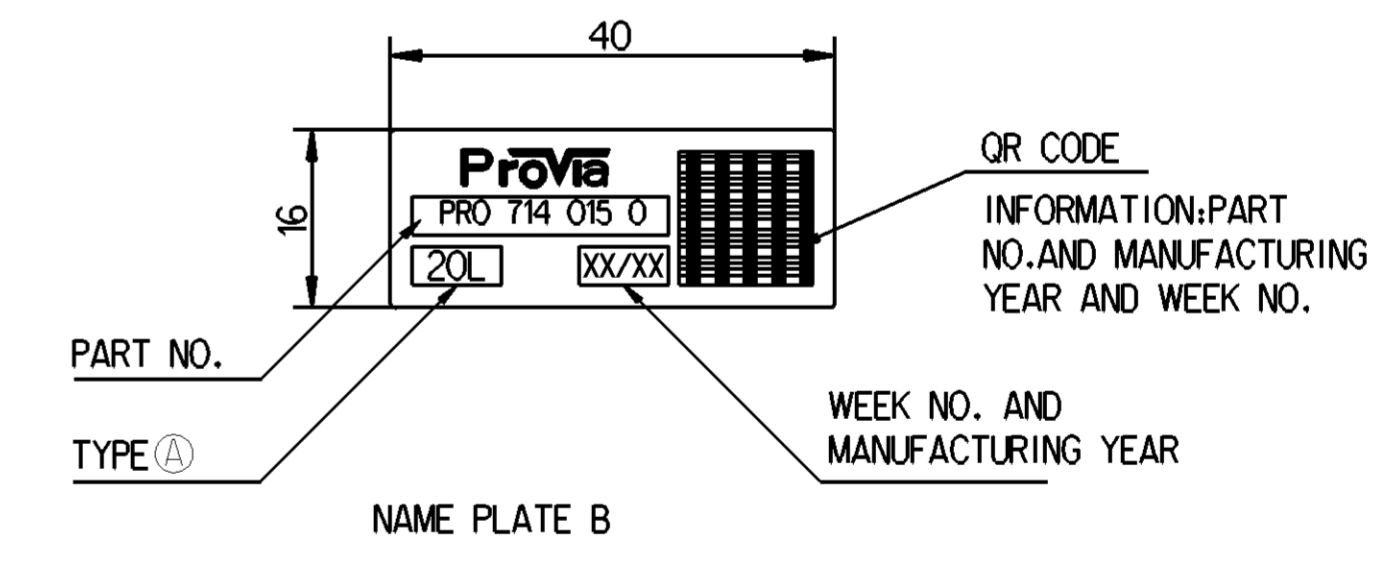
SURFACE PROTECTION	
I	ZINC PLATED WITH CR6+ FREE
II	ELECTRO-PAINTING
III	DACROMET
IV	HARD POLYETHYLENE
V	STICKER

<1>	SAFETY CHARACTERISTICS	0
<2>	SIGNIFICANT CHARACTERISTICS	0



- ① OPEN BREATHER HOLE
- ② TORQUE: 220±20 Nm
- ③ TORQUE: ≥25 Nm
- ④ TORQUE: 45±5 Nm
- ⑤ ADMISSIBLE INSTALLATION POSITION
- ⑥ DEFLECTION: 6° MAX AT STROKE:0 mm
- ⑦ TORQUE: 80±10 Nm

- TECHNICAL REQUIREMENT**
- STROKE: ≥76.2mm;
 - WORKING PRESSURE: Pmax. 8.5 bar, Temporarily 10 bar;
 - WORKING TEMPERATURE: -40°C...+80°C (-40°F...+176°F);



General Specifications: JED-354-1 - Size ISO 14405 LP		Copyright WABCO®	
Further Technical Data: PRO 714 016 0		Date	Signature
Doc. Code: 035	Sheet: 01 To 05	2020-04-16	Saravanan
General Tolerances JED-261		Checked	
Range of Nominal Dimensions (± mm)		2020-07-07 Yerahachelvan	
Class	1) ≤ 50 > 180 > 400	Expert	
Fine	0.5 1.0 1.5 2.0	Aswin kumar	
Medium	1.0 2.0 3.0 4.0	Mass	Scale
Coarse	2.0 3.5 5.0 6.5	3.6	1:1
Tapped Holes acc. JED-152		Size	CAD System
1) Tolerance Class Applied Crossmarked		PRO 714 015 0	Material No.
		005	Date of first issue: 2019-10-04
		504426	Doc.Code Language Sheet
		5x A	EN 1/1
		CREO	Revision Techn. Resp.
			5340_AM
			Replacement for

Non e permesso consegnare a terzi o riprodurre questo documento, ne utilizzare il contenuto a fini commerciali, senza permesso scritto dalla WABCO. È vietata espressamente la ristampa o l'uso non autorizzato di questo documento. Toute réimpression ou communication de son contenu sans autorisation écrite de la WABCO est formellement interdite. Toute utilisation commerciale de ce document sans la permission écrite de la WABCO est formellement interdite.