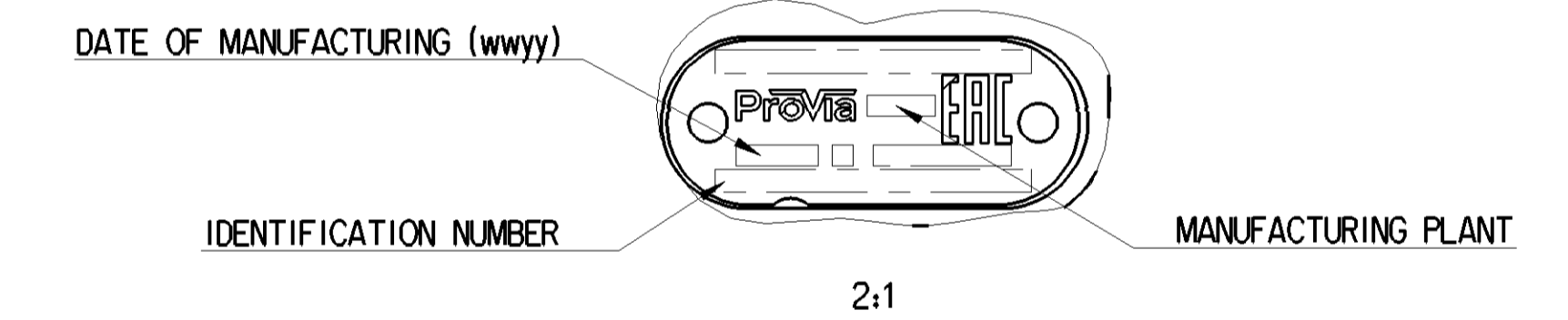
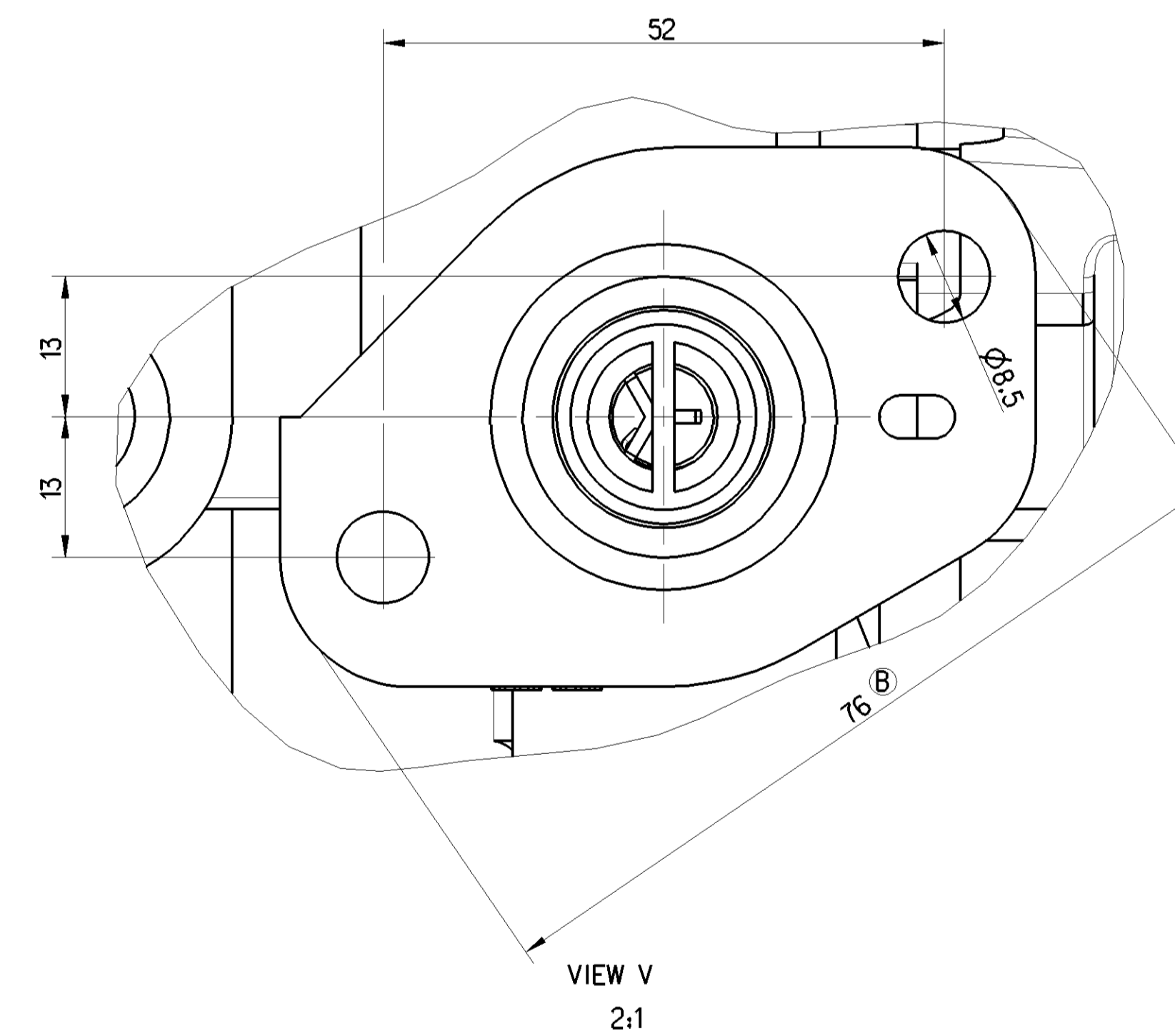
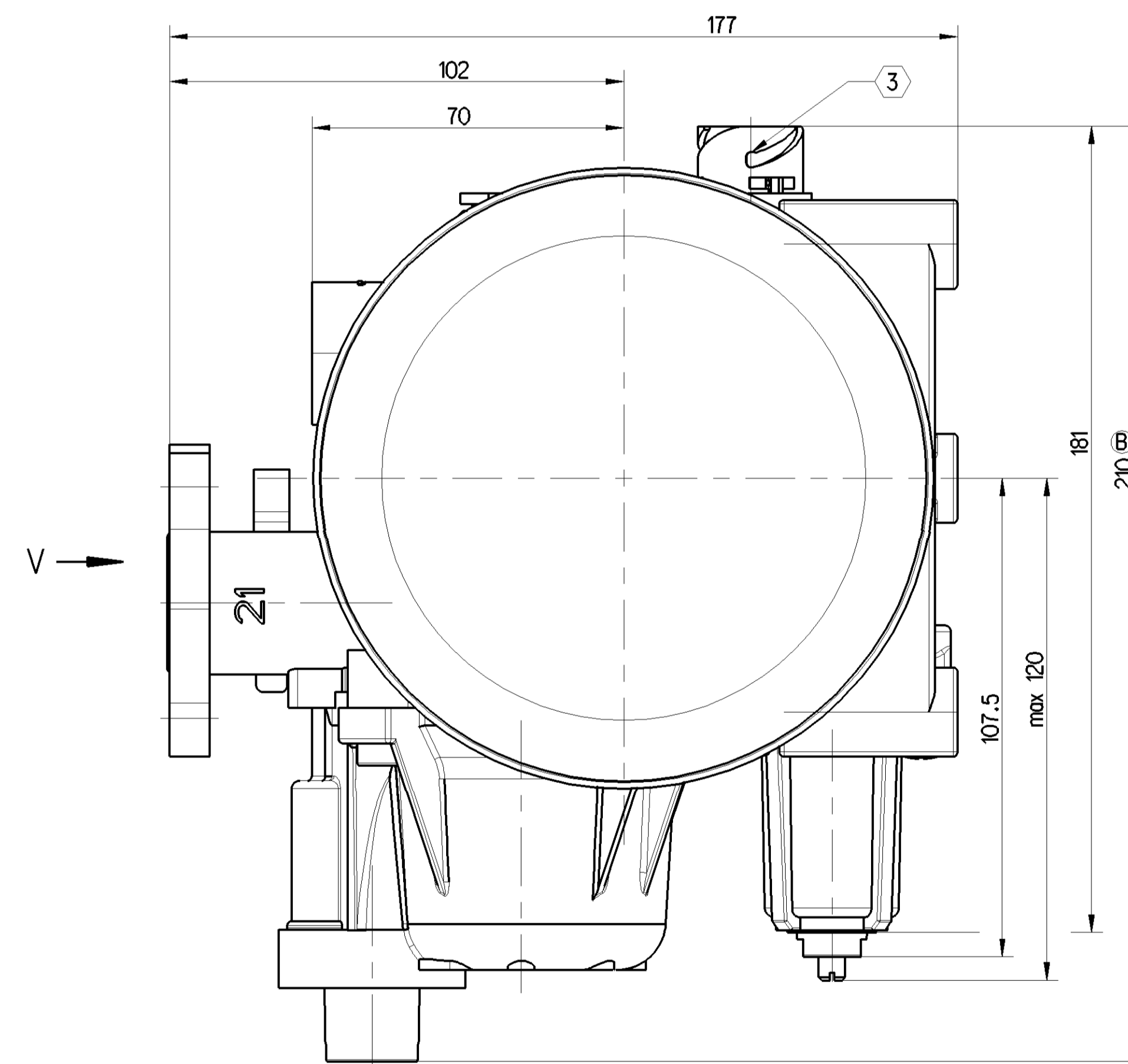


PORT	FUNCTION	THREAD
1	FROM THE COMPRESSOR	M22x1.5
31 (12)	EXTERNAL FILLING - CLOSED	M16x1.5
21	TO THE RESERVOIRS	M22x1.5
22	TIRE INFLATION DEVICE - CLOSED	-
3	EXHAUST FOR COMPRESSED AIR	-
4	TO THE COMPRESSOR - CLOSED	M12x1.5
6	HEATER PLUG	③



TECHNICAL DATA

COMBINED UNLOADER:

OUT OUT PRESSURE: 9,3±0,2 BAR

OPERATING RANGE: OR=1,1±0,4 BAR

DYNAMIC PRESSURE OF THE SAFETY VALVE: 14,5₀^{+1,5} bar (AT V_n = 100 dm³/min) B

BACK FLOW LIMITING VALVE: (0,5 x OR) ± 0,1 bar B

TORQUES FOR CONNECTIONS: M12x1,5: Mmax = 21 Nm

M16x1,5: Mmax = 34 Nm

M22x1,5: Mmax = 53 Nm

THERMAL RANGE OF CONTINUOUS APPLICATION: -20°C ... +65°C

RESISTANCE TO HEAT: +75°C MAX

MEDIUM: COMPRESSED AIR

WORKING PRESSURE: Pe max = 13 bar

MAX. PERMISSIBLE FREQUENCY: 50 Hz

MAX. PERMISSIBLE ACCELERATION: ±10 g

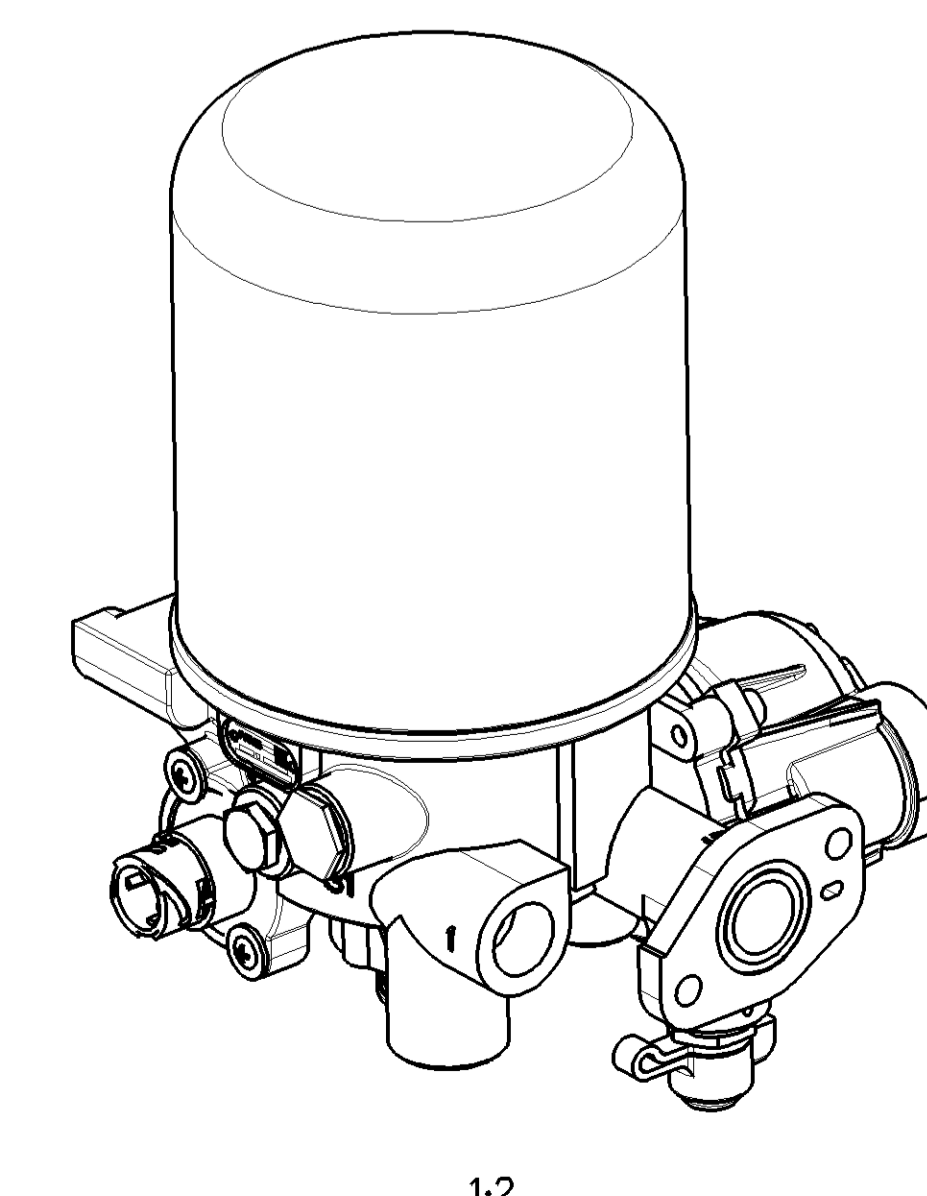
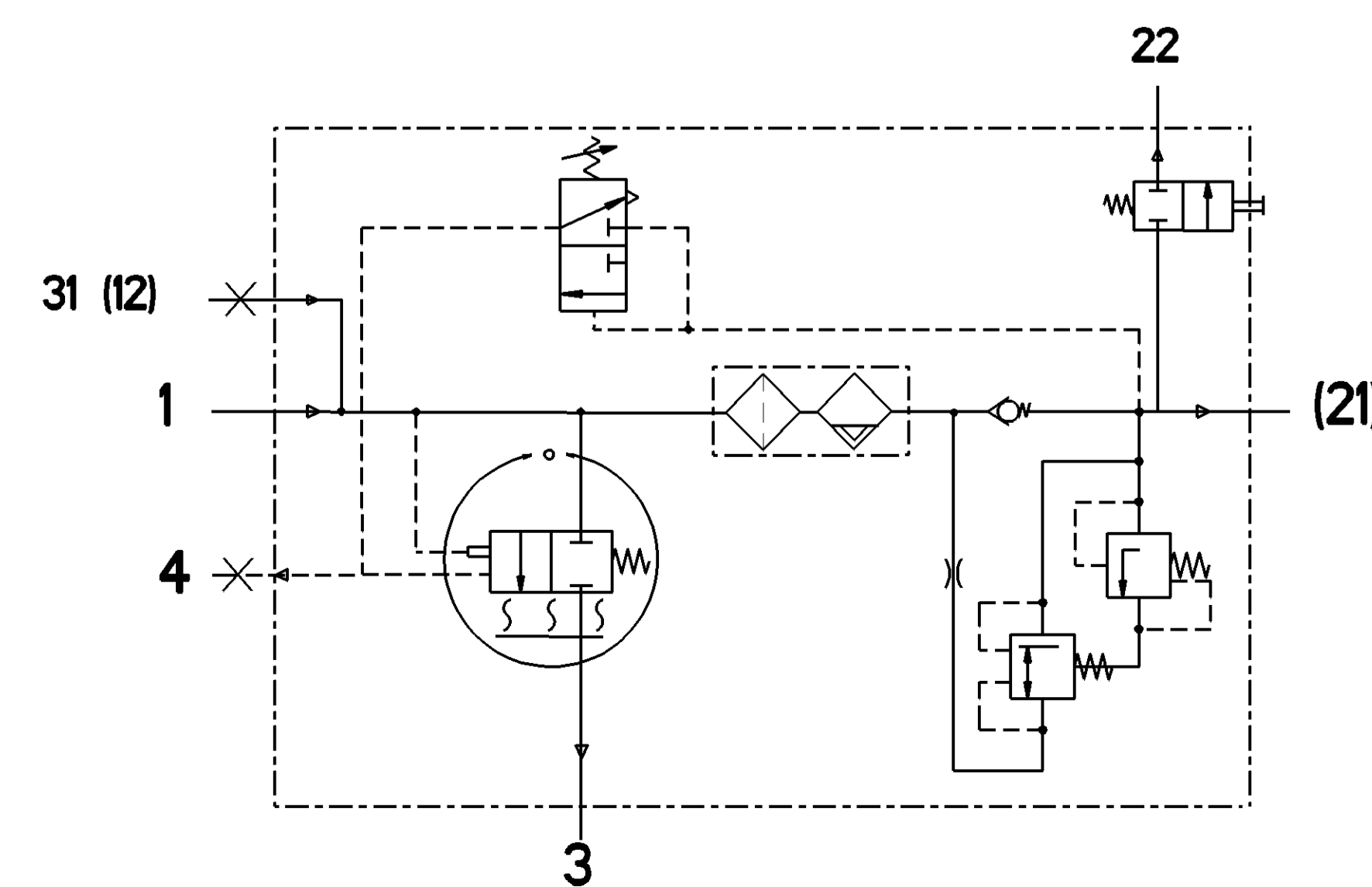
HEATING:

HEATING OUT-IN TEMPERATURE: 7±6 °C

HEATING OUT-OUT TEMPERATURE: 29,5±3,0 °C

BATTERY VOLTAGE: 24,0^{+4,8}_{-2,4} V DC

POWER WITHOUT CURRENT: 100 W



- ① INSTALLATION POSITION
- ② MOUNTING HEIGHT
- ③ CONNECTOR STECKVERBINDER ISO 15170-A1-2.1-1-Su/K2

General Specification: JED-334-1, Size ISO 14405 LP		Copyright: 2020-12-03		Prövia	
Further Technical Data: PRO 122 140 0		Date: 2020-12-03		AIR DRYER	
Doc. Code: 035		Sheet: 1 To 3		Scale: 1:1	
Class: 1		Size: 5,2		Material No.: 005 EN 1/1	
Date of first issue: 2020-06-08		Revision: 9		Drawing for: 5050_AW	
Date of this issue: 2020-12-03		Revision: B		Drawing for: 5050_AW	
Date of this issue: 2020-12-03		Revision: B		Drawing for: 5050_AW	