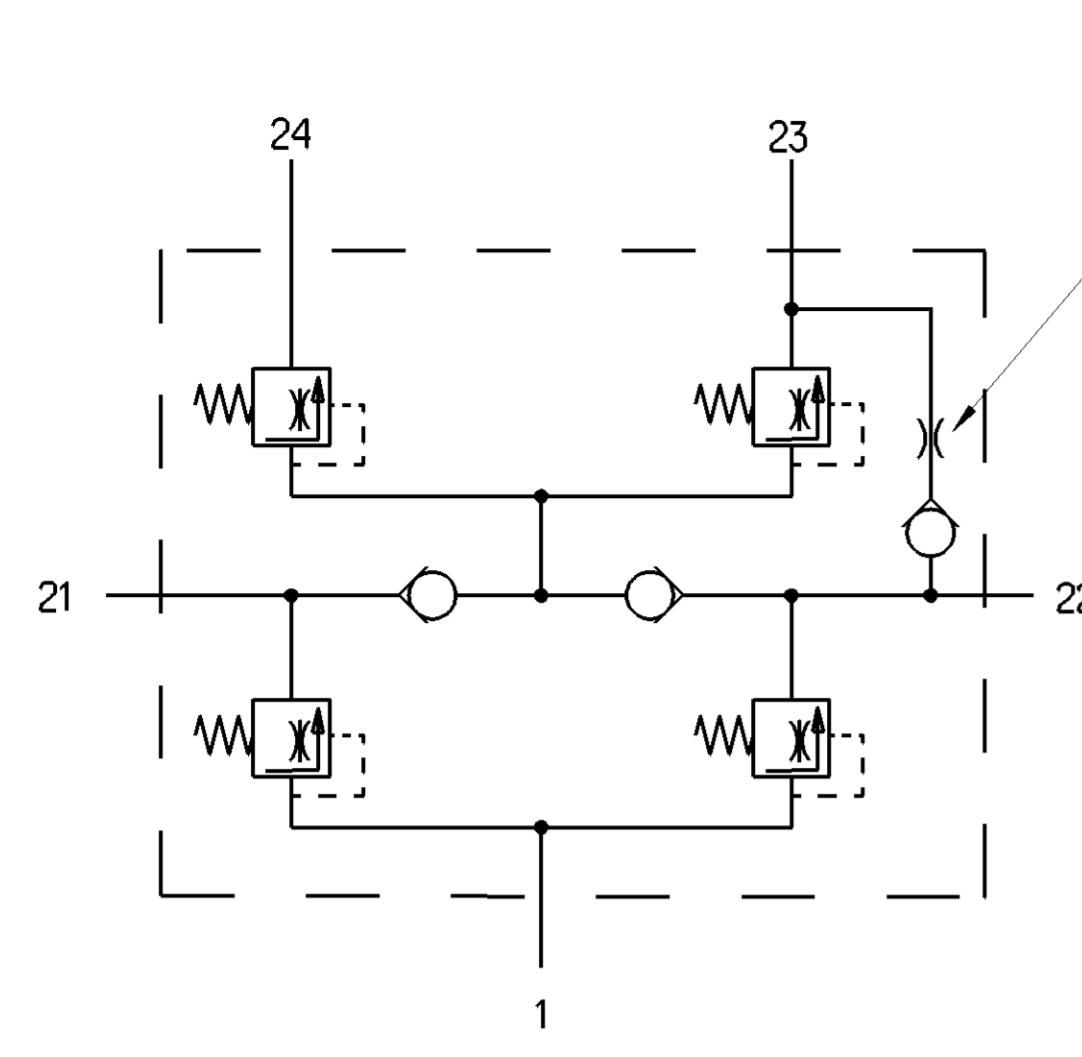
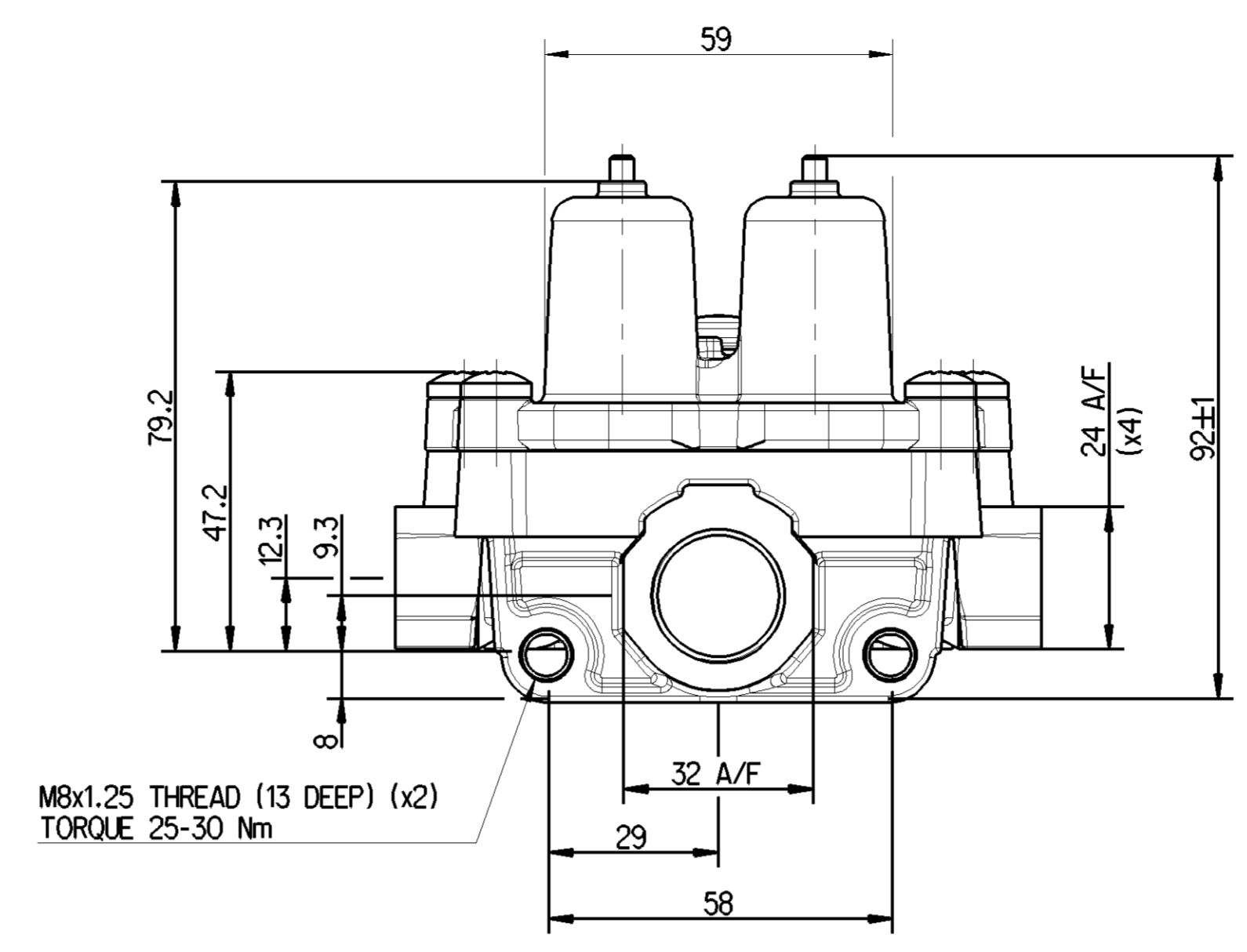


| | |
|------------------|-----------|
| EXTERNAL SURFACE | |
| I | - |
| II | JED-256-4 |
| III | JED-259 |

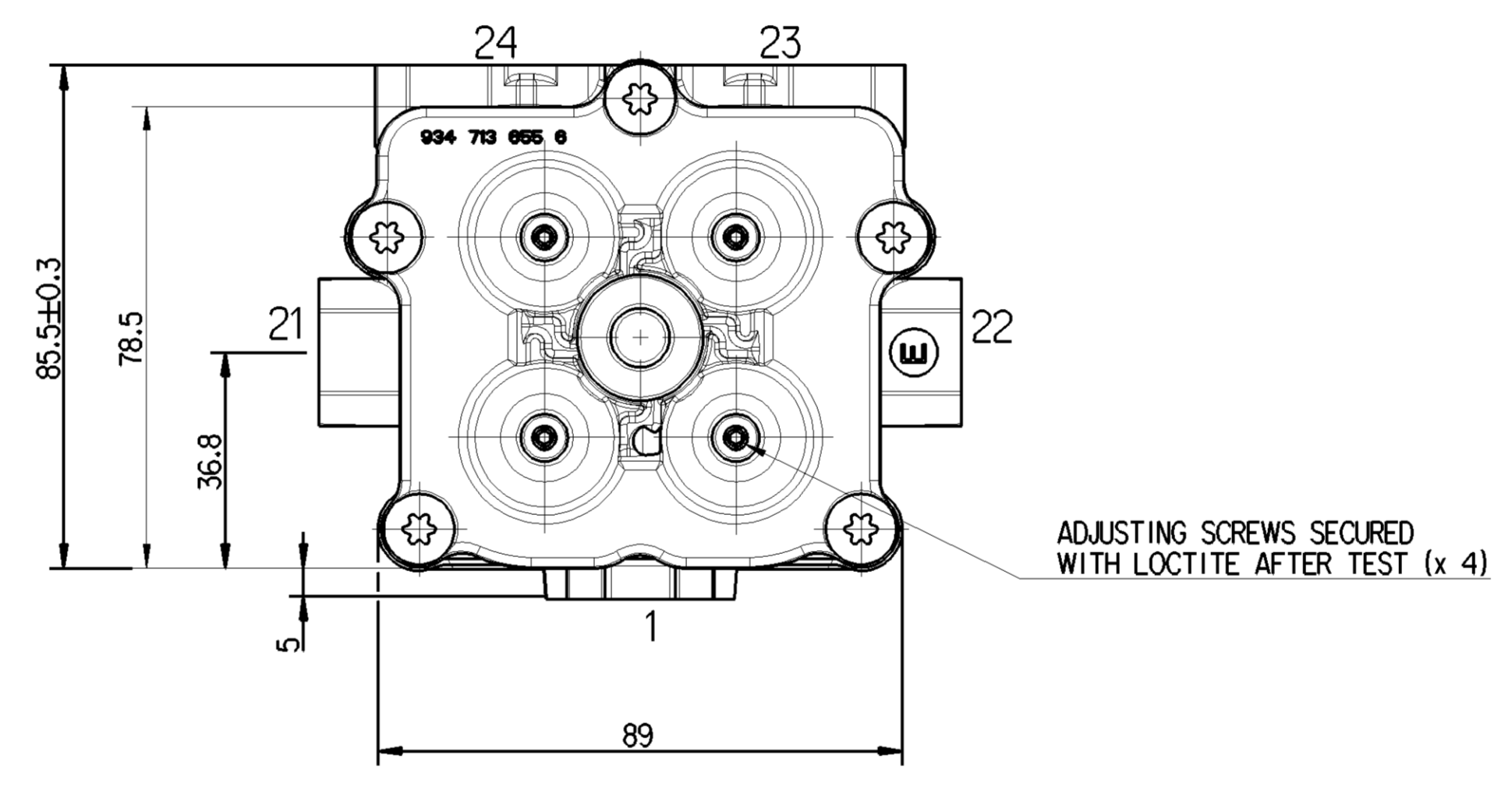
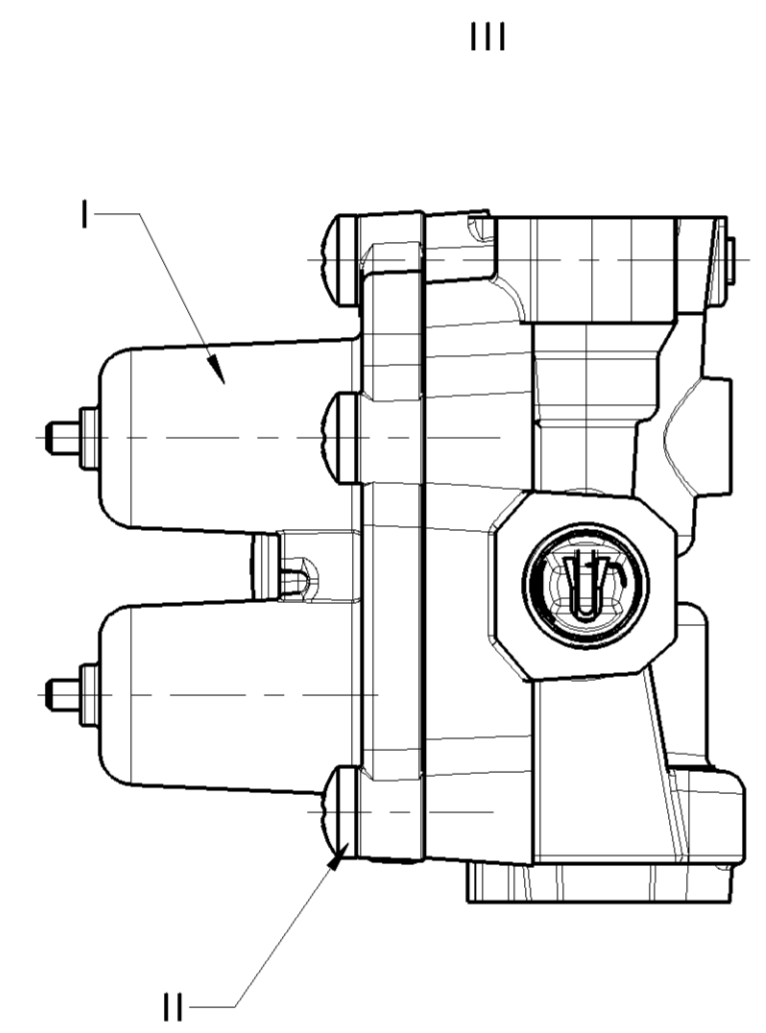
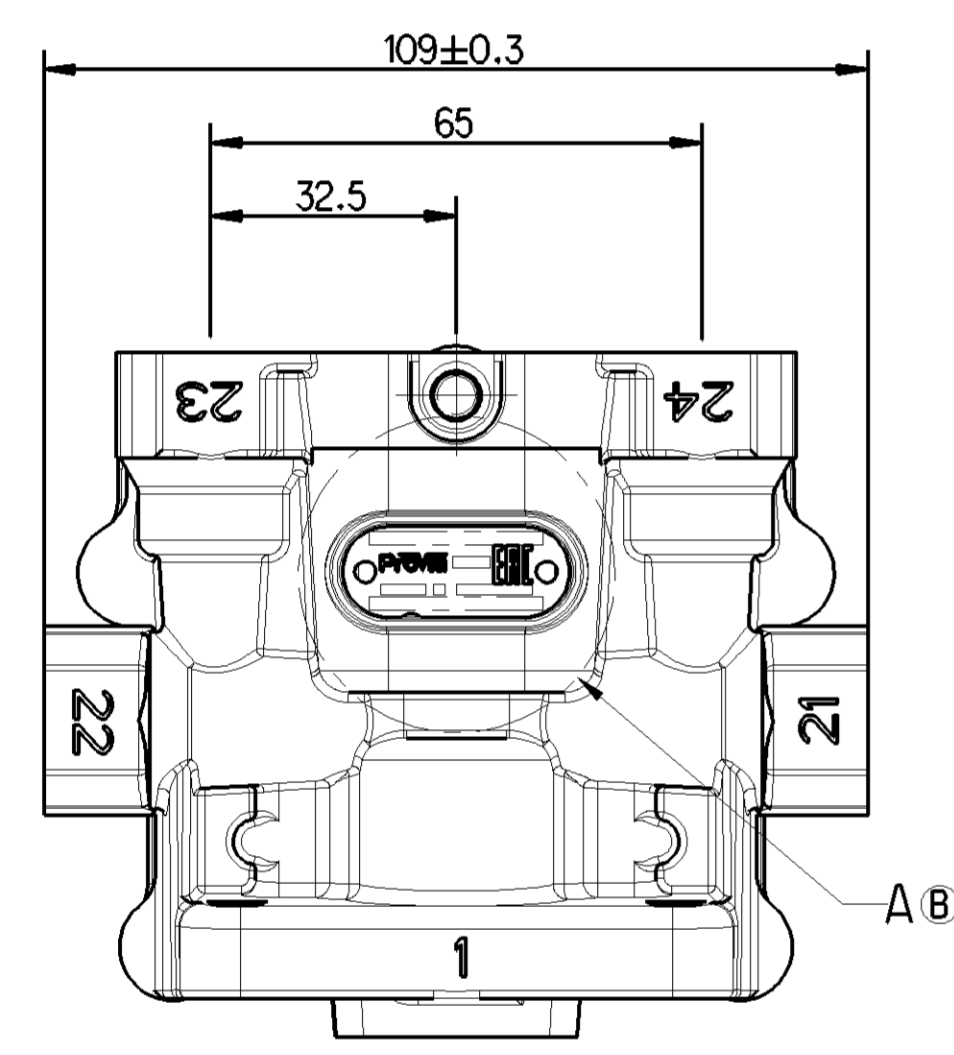


① FLOW RATE = 16-35 l/min
AT P23 = 8, P22 = 0 bar
WHEN P22 DROPS TO ZERO
RETAINED P23 = 1 bar MAX



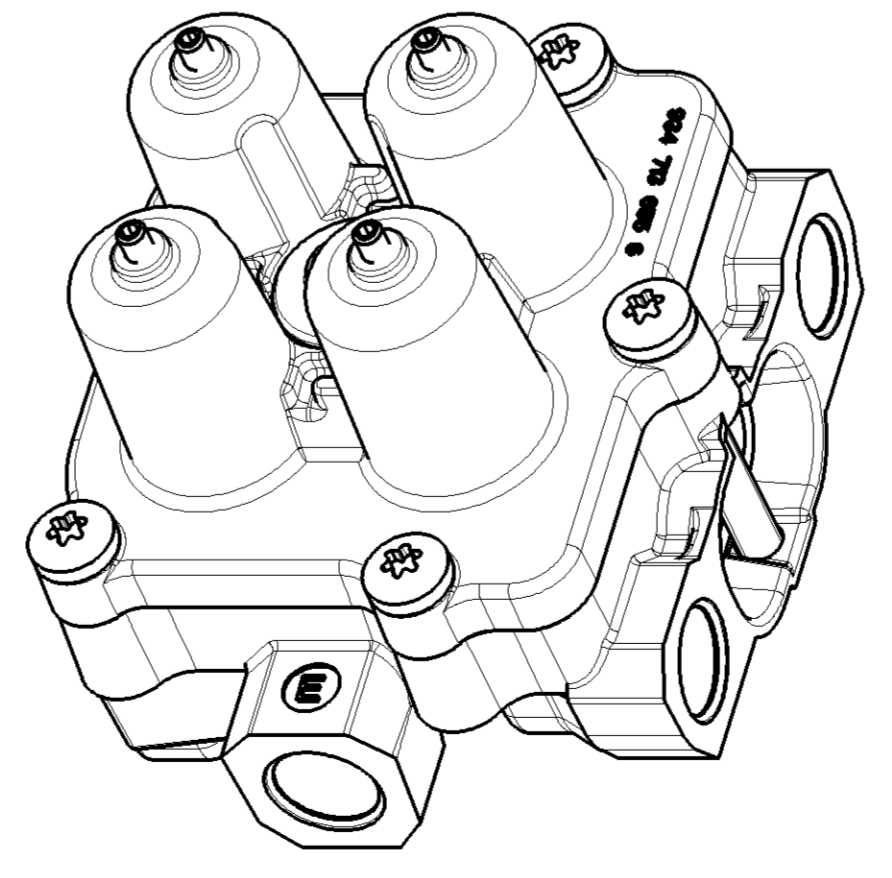
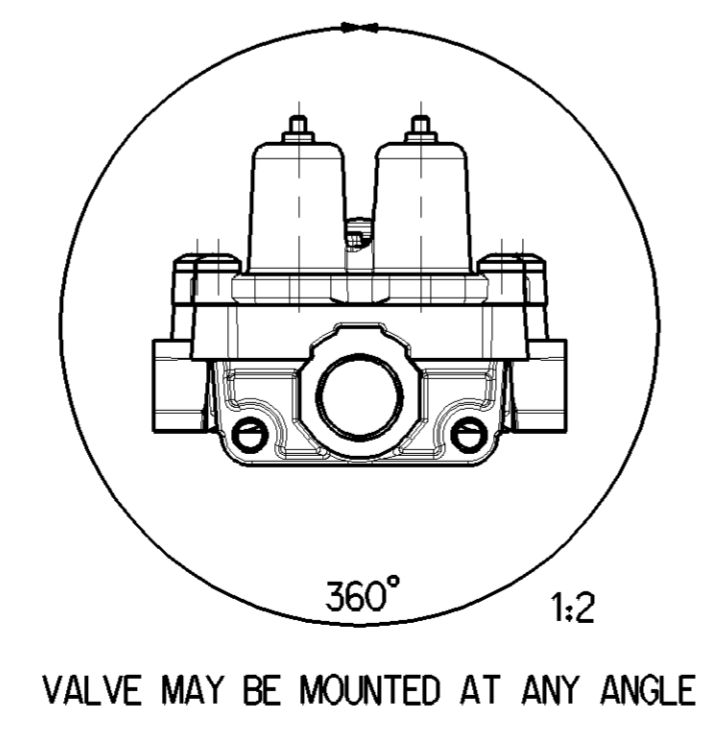
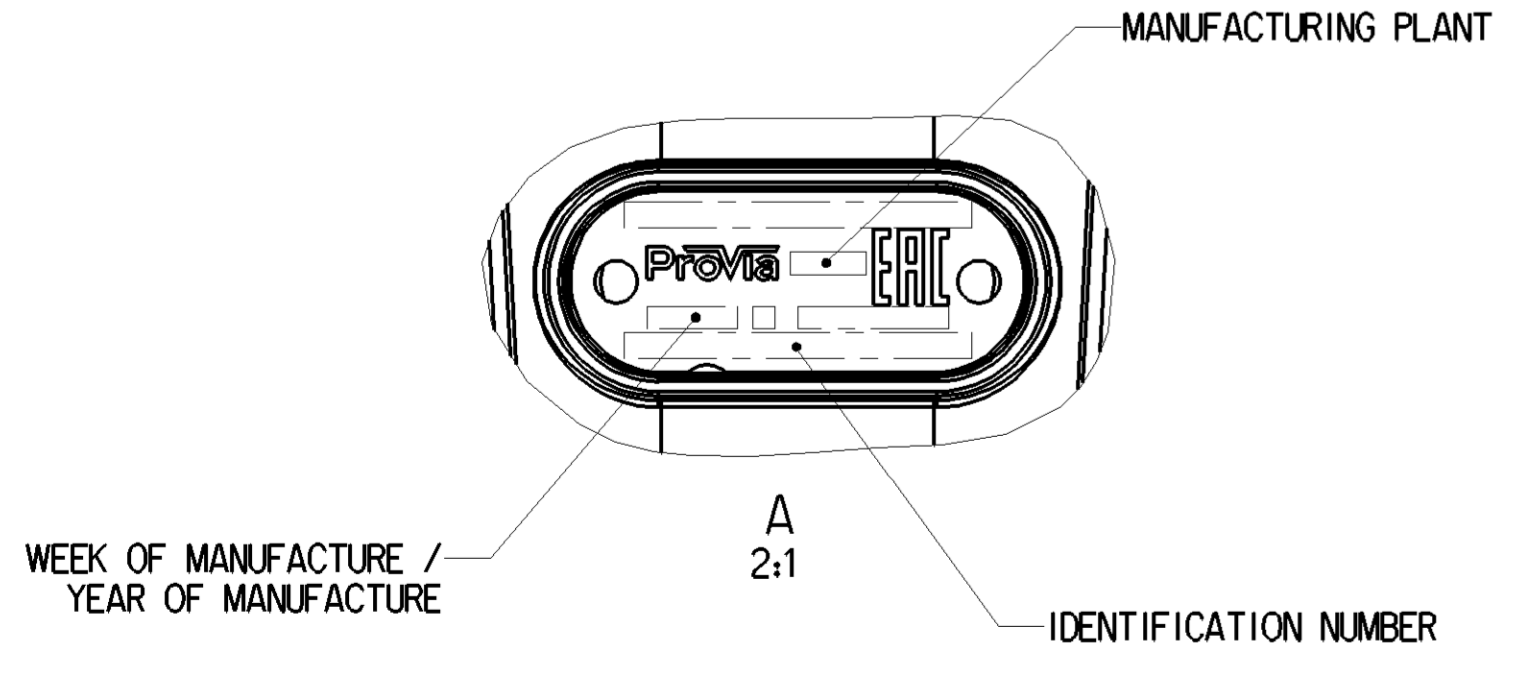
| | | | | | |
|---|-----|----------------------------------|----------------------------------|------------------------------------|----------------------------------|
| PORTS | | 21 | 22 | 23 | 24 |
| OPENING PRESSURE DYNAMIC | BAR | 6.5 ⁰ _{-0.3} | 6.5 ⁰ _{-0.3} | ② 7.2 ⁰ _{-0.3} | 6.5 ⁰ _{-0.3} |
| CLOSING PRESSURE DYNAMIC | BAR | ≥ 4.5 | | | |
| CLOSING PRESSURE STATIC AT FAILURE OF CIRCUIT.... | BAR | 0 | ≥ 4.5 | ≥ 4.5 | ≥ 4.5 |
| | | ≥ 4.5 | 0 | ① | ≥ 4.5 |
| | | ≥ 4.5 | ≥ 4.5 | 0 | ≥ 4.5 |
| | | ≥ 4.5 | ≥ 4.5 | ≥ 4.5 | 0 |

② OPENING PRESSURE 23 TO EXCEED HIGHEST ACTUAL OPENING PRESSURE OF OTHER CIRCUITS BY ≥0.1 BAR.



| PORT | FUNCTION | THREAD | TORQUE |
|------|-----------|--|-----------|
| 1 | SUPPLY | M22x1.5-GH x16 FULL THREAD JED-152 | 55 Nm MAX |
| 21 | CIRCUIT 1 | M16x1.5-GH x13 FULL THREAD JED-152 | 35 Nm MAX |
| 22 | CIRCUIT 2 | M16x1.5-GH x13 FULL THREAD JED-152 | 35 Nm MAX |
| 23 | CIRCUIT 3 | M16x1.5-GH x13 FULL THREAD JED-152 | 35 Nm MAX |
| 24 | CIRCUIT 4 | M16x1.5-GH x13 FULL THREAD JED-152 | 35 Nm MAX |

| | |
|------------------------------|---------------|
| MEDIUM | AIR |
| THERMAL RANGE OF APPLICATION | -40°C...+90°C |
| SERVICE PRESSURE | 13 bar MAX |



General Specification: JED-334-1 - Size ISO 14405 LP

Further Technical Data: PRO1220020

Doc. Code: 035 Sheet: 1 To 3

Copyright WABCO®

Date: 2020-09-16

Signature: Powlik

Checked: Marcinkiewicz

Expert: Marcinkiewicz

Material No.: PRO 122 002 0

Date of first issue: 2017-10-30

Doc. Code: 005 EN 1/1

Mass: 0.663 kg

Scale: 1:1 (1:2, 2:1)

Size: CAD System

ECTN No.: 501582

Revision: 1 x B

Techn. Resp.: 5120_AM

Replacement for: -

1) Tolerance Class Applied Crossmarked

Non è permesso copiare o riprodurre questo documento, né utilizzare il contenuto a fini commerciali, senza permesso scritto dalla WABCO. È vietata espressamente la ristampa o l'uso non autorizzato. Toute réimpression ou utilisation non autorisée sans la permission écrite de la WABCO est formellement interdite. Toute utilisation non autorisée sera considérée comme une violation des droits de propriété intellectuelle. All rights reserved. No part of this document may be reproduced, stored in a retrieval system, or transmitted in any form or by any means, electronic, mechanical, photocopying, recording, or by any information storage and retrieval system, without the prior written permission of WABCO.