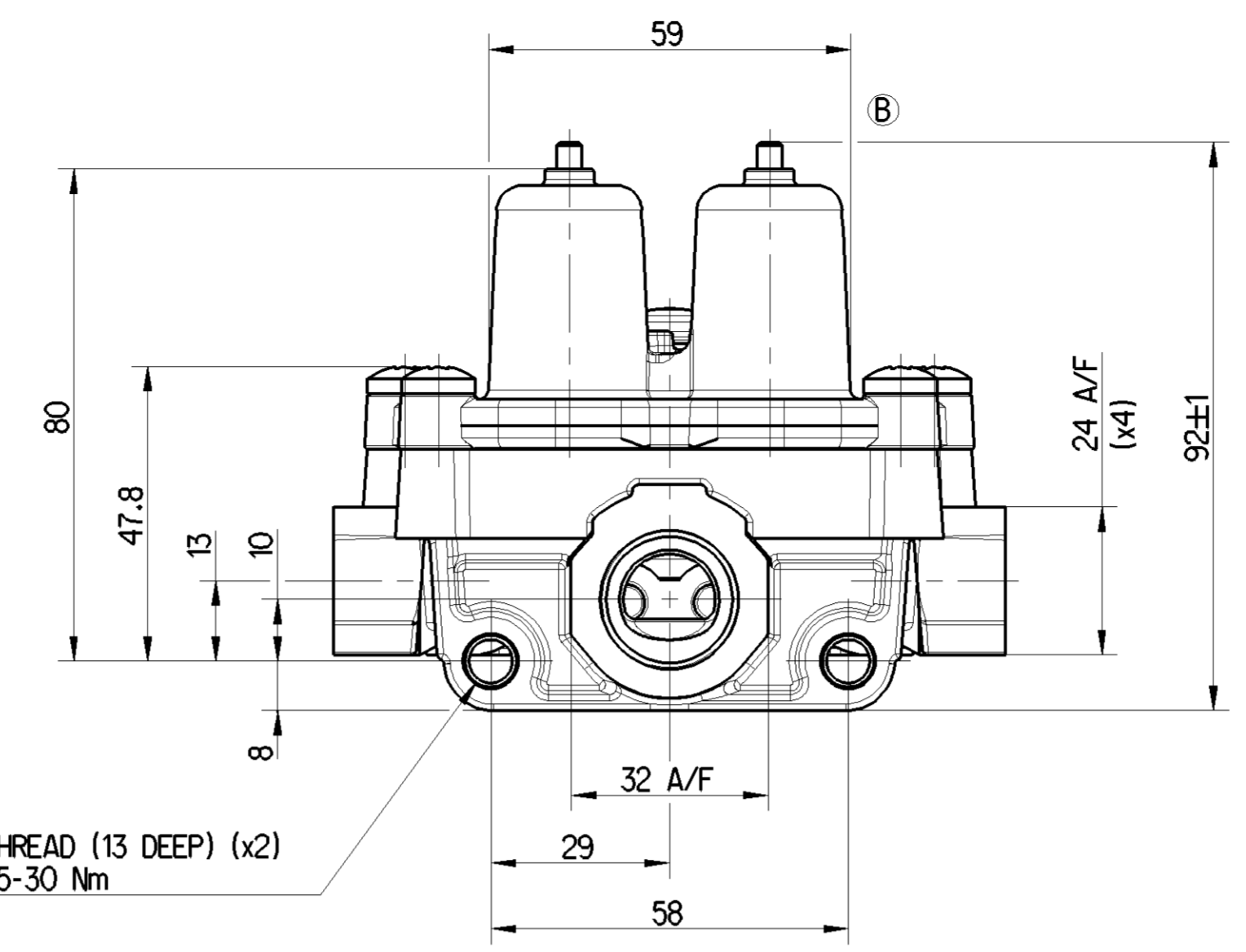
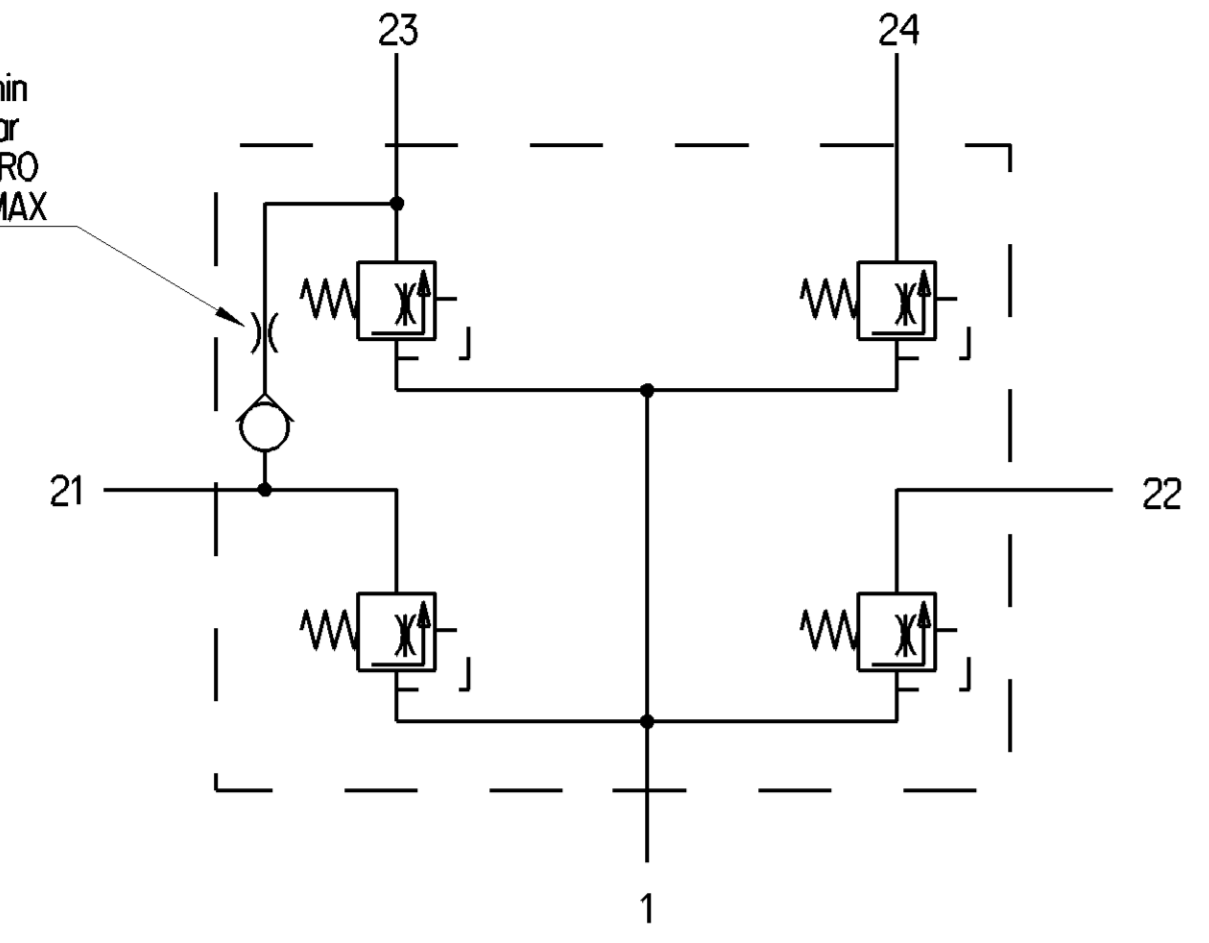


EXTERNAL SURFACE	
I	-
II	JED-256-4
III	JED-259

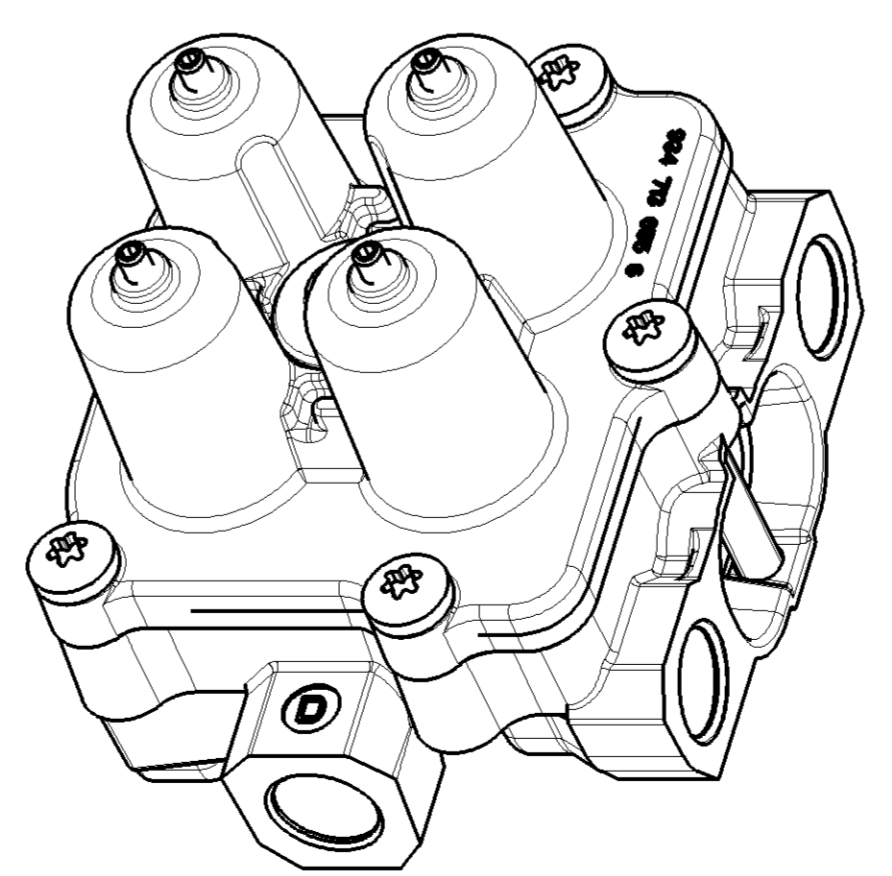
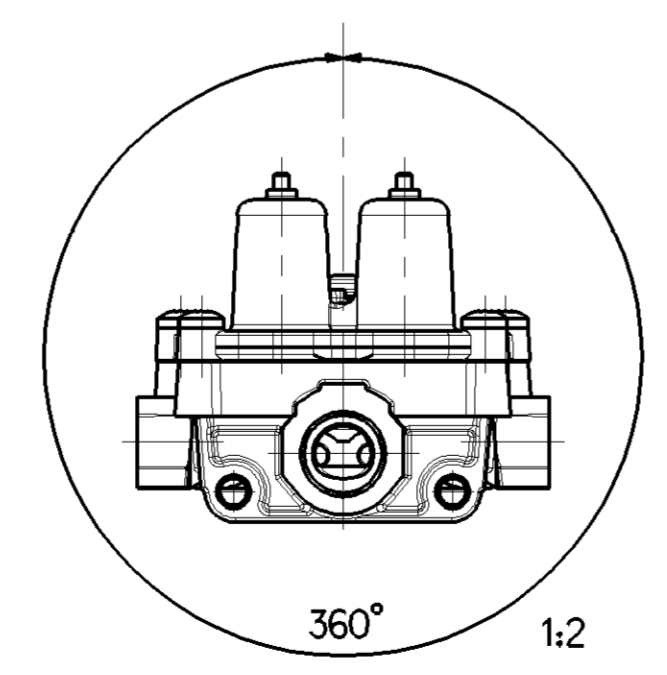
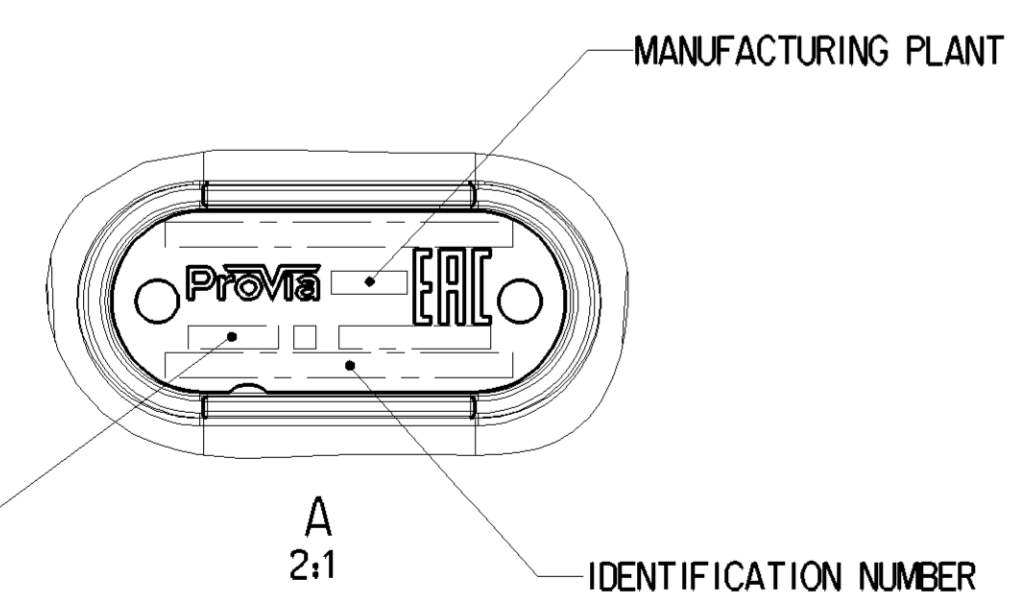
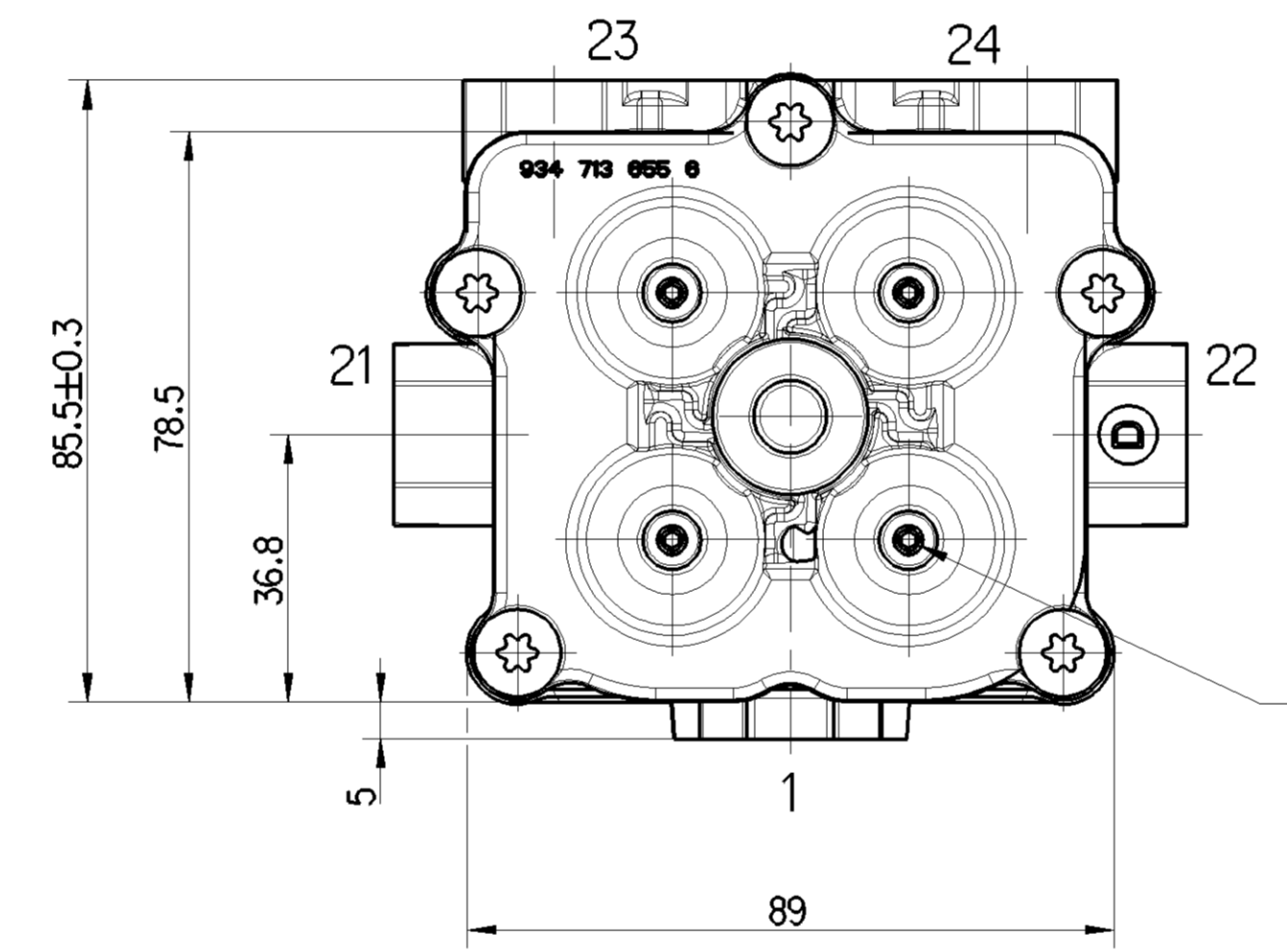
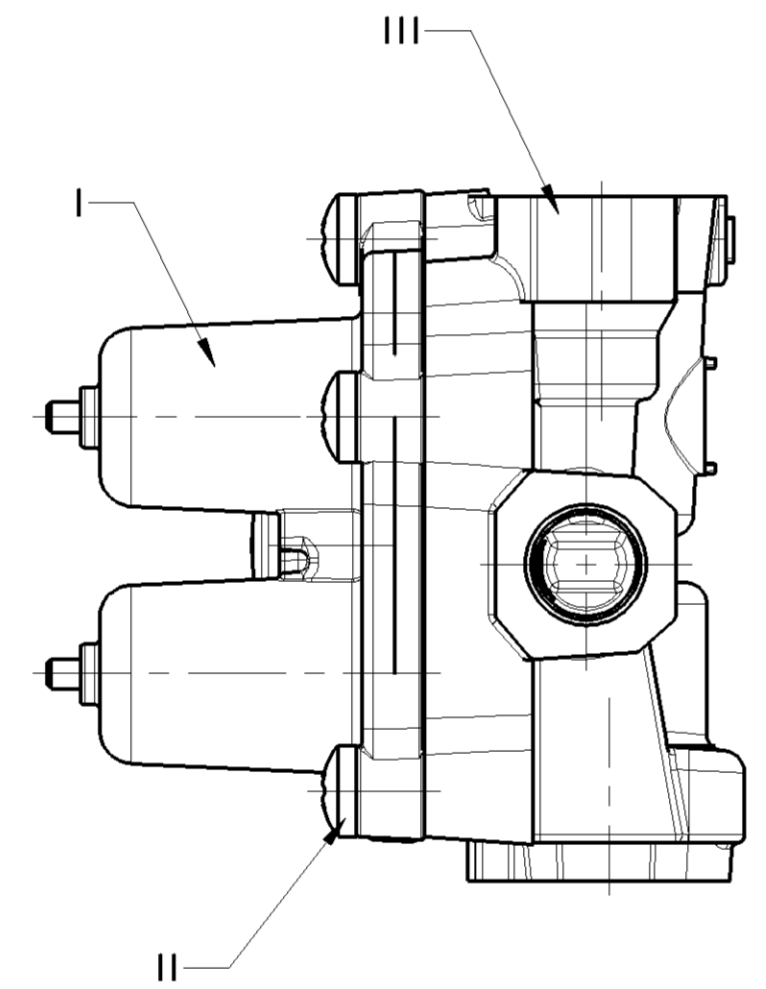
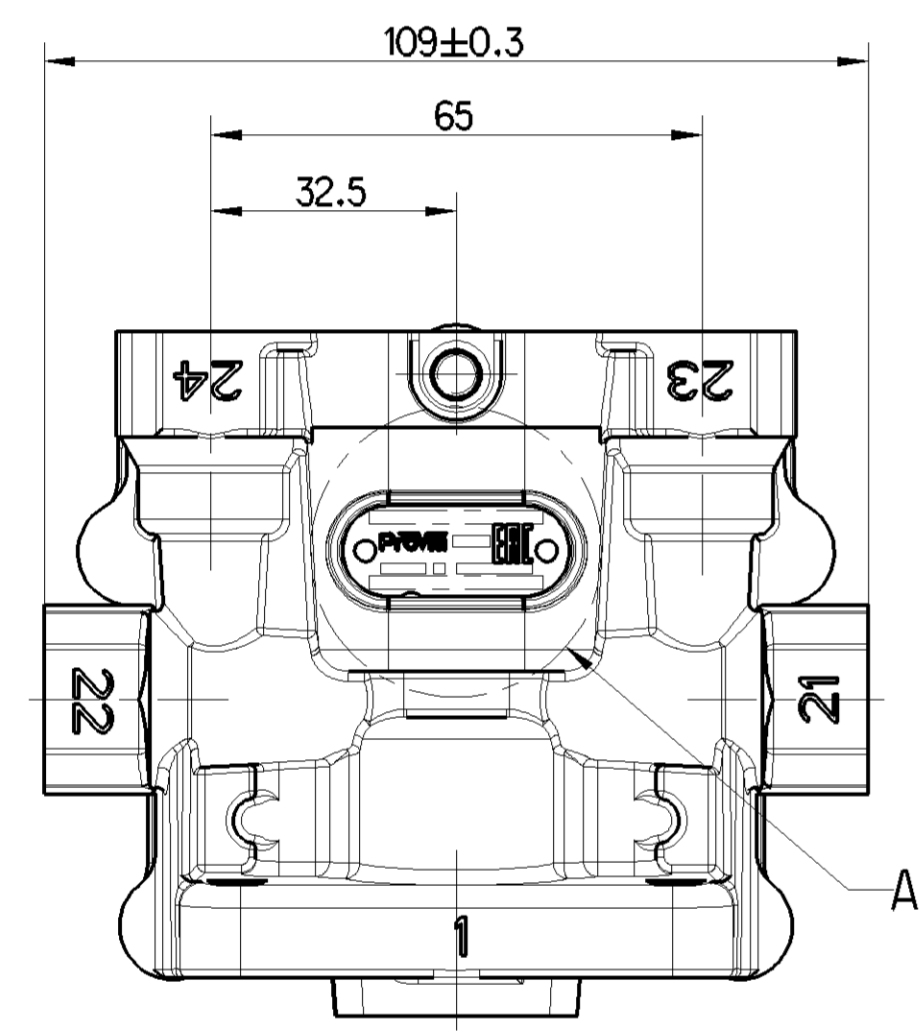
1 FLOW RATE = 16-35 l/min
 AT P23 = 8, P21 = 0 bar
 WHEN P21 DROPS TO ZERO
 RETAINED P23 = 1 bar MAX



PORTS		21	22	23	24
OPENING PRESSURE DYNAMIC	BAR	6.5 ± 0.3	6.5 ± 0.3	7.4 ± 0.3	6.5 ± 0.3
CLOSING PRESSURE DYNAMIC	BAR	> 4.5			
CLOSING PRESSURE STATIC AT FAILURE OF CIRCUIT....	BAR	0	> 4.5	①	> 4.5
		> 4.5	0	> 4.5	> 4.5
		> 4.5	> 4.5	0	> 4.5
		> 4.5	> 4.5	> 4.5	0

PORT	FUNCTION	THREAD	TORQUE
1	SUPPLY	M22x1.5-6H x16 FULL THREAD JED-152	55 Nm MAX
21	CIRCUIT 1	M16x1.5-6H x13 FULL THREAD JED-152	35 Nm MAX
22	CIRCUIT 2	M16x1.5-6H x13 FULL THREAD JED-152	35 Nm MAX
23	CIRCUIT 3	M16x1.5-6H x13 FULL THREAD JED-152	35 Nm MAX
24	CIRCUIT 4	M16x1.5-6H x13 FULL THREAD JED-152	35 Nm MAX

MEDIUM	AIR
THERMAL RANGE OF APPLICATION	-40°C...+90°C
SERVICE PRESSURE	13 bar MAX



② OPENING PRESSURE 23 TO EXCEED HIGHEST ACTUAL OPENING PRESSURE OF OTHER CIRCUITS BY >0.1 BAR.

General Specification: JED-334-1 - Size ISO 14405 LP		Copyright WABCO®	
Further Technical Data: PRO1220030		Date: 2020-09-18	Signature: Powlik
Doc. Code: 035	Sheet: 1 To 3	Checked: 2020-09-18	Expert: Marcinkiewicz
General Tolerances JED-261		Material No. PRO 122 003 0	
Range of Nominal Dimensions (± mm)		Mass: 0.658 kg	Scale: 1:1 (1:2)
Class	1) ≤ 50 > 50 > 180 > 400	Size: CAD System	Date of first issue: 2017-10-30
Fine	0.5 1.0 1.5 2.0	Doc. Code: 005 EN 1/1	
Medium	X 1.0 2.0 3.0 4.0 ±3°	Revision: 1 x B	
Coarse	2.0 3.5 5.0 6.5	Tech. Resp.: 5120_AM	
Tapped Holes acc. JED-152		Replacement for: 501582	
1) Tolerance Class Applied: Crossmarked		100mm	

Non è permesso copiare o riprodurre questo documento, né utilizzare il contenuto a fini commerciali, senza permesso scritto dalla WABCO. È vietata espressamente la ristampa o l'uso non autorizzato. Toute réimpression ou utilisation non autorisée sans la permission écrite de la WABCO est formellement interdite. Toute utilisation non autorisée sera considérée comme une violation des lois en vigueur. All rights reserved. No part of this document may be reproduced, stored in a retrieval system, or transmitted, in any form or by any means, electronic, mechanical, photocopying, recording, or by any information storage and retrieval system, without the prior written permission of WABCO. This document is the subject of copyright.