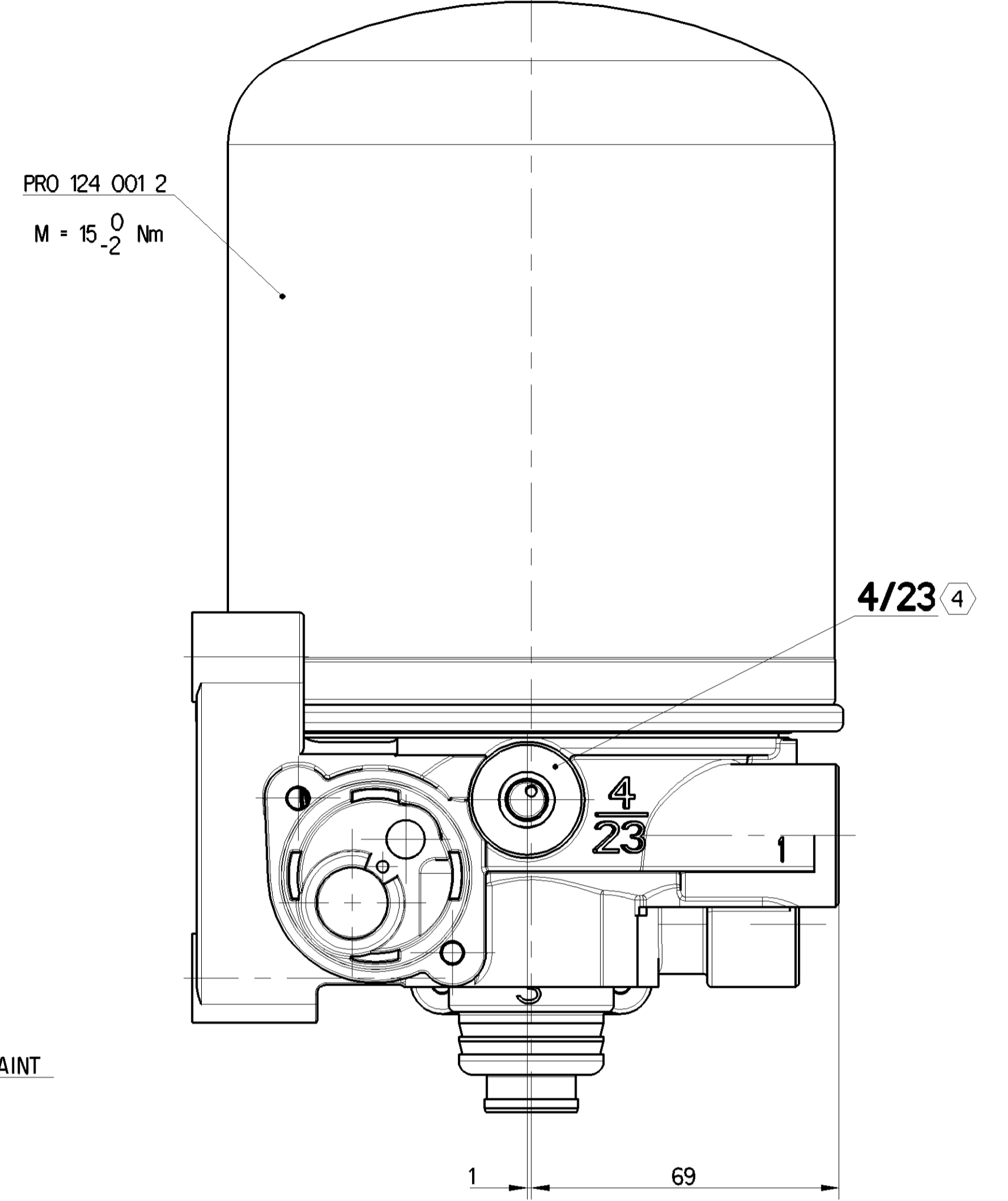
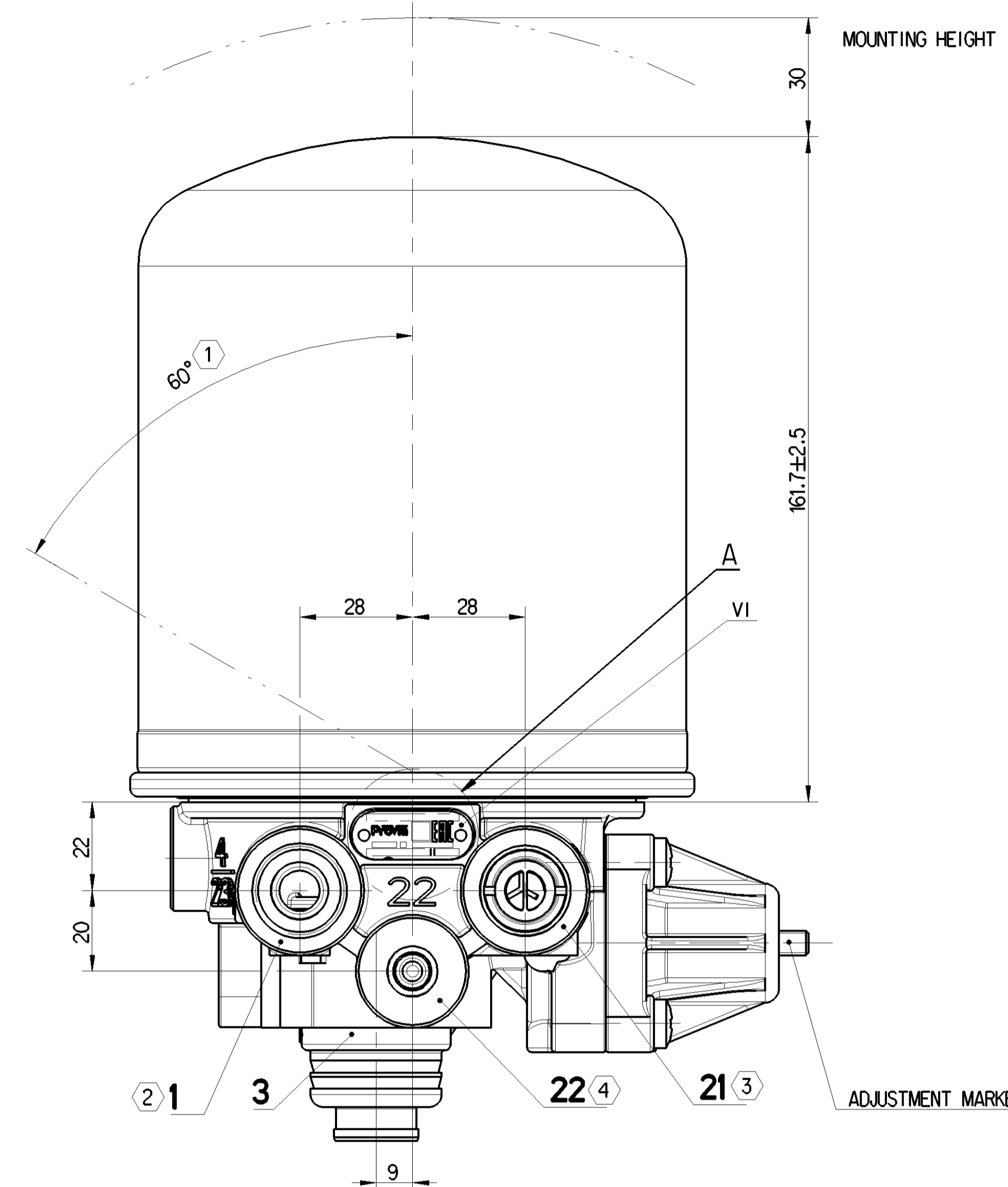
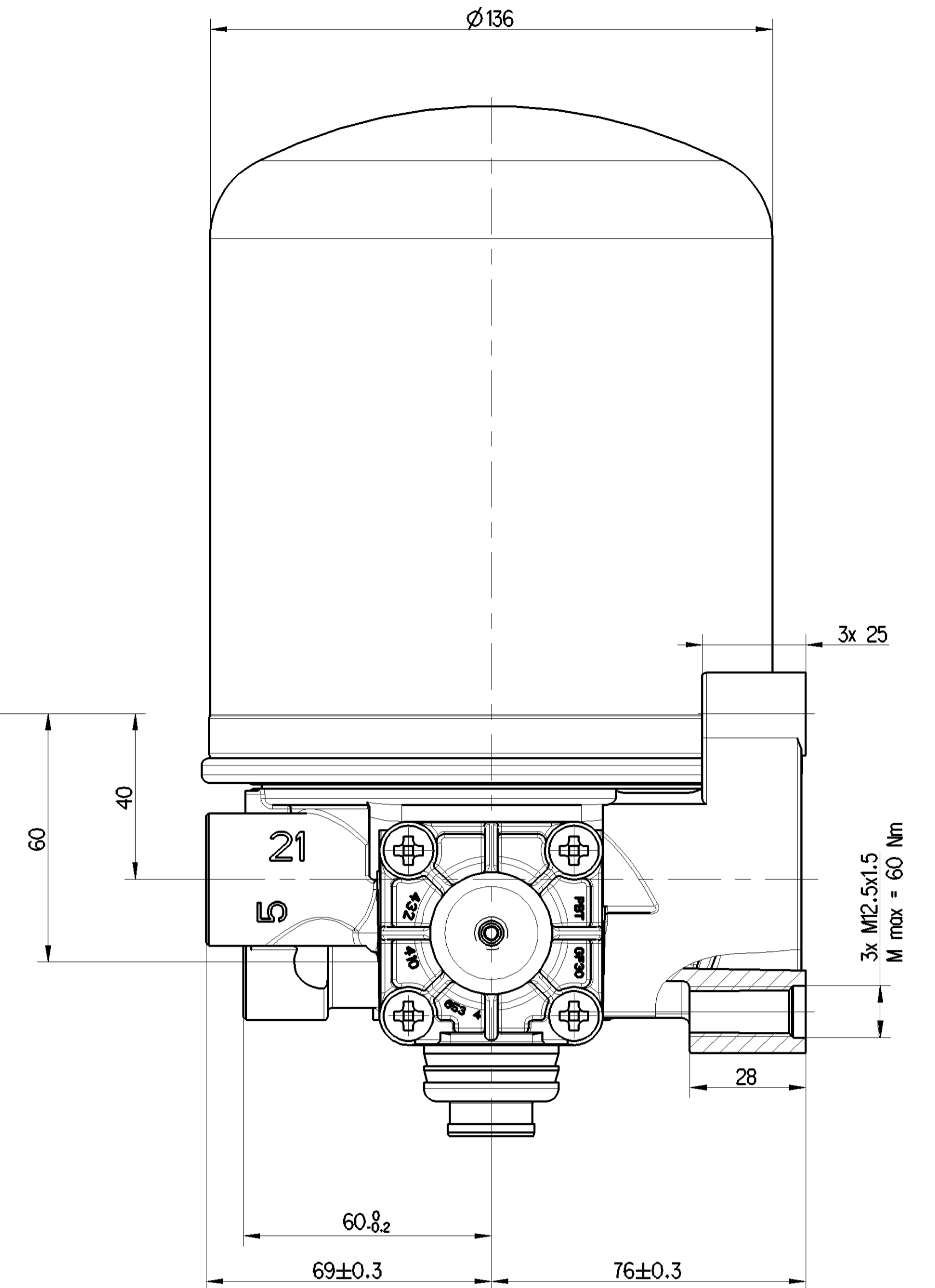
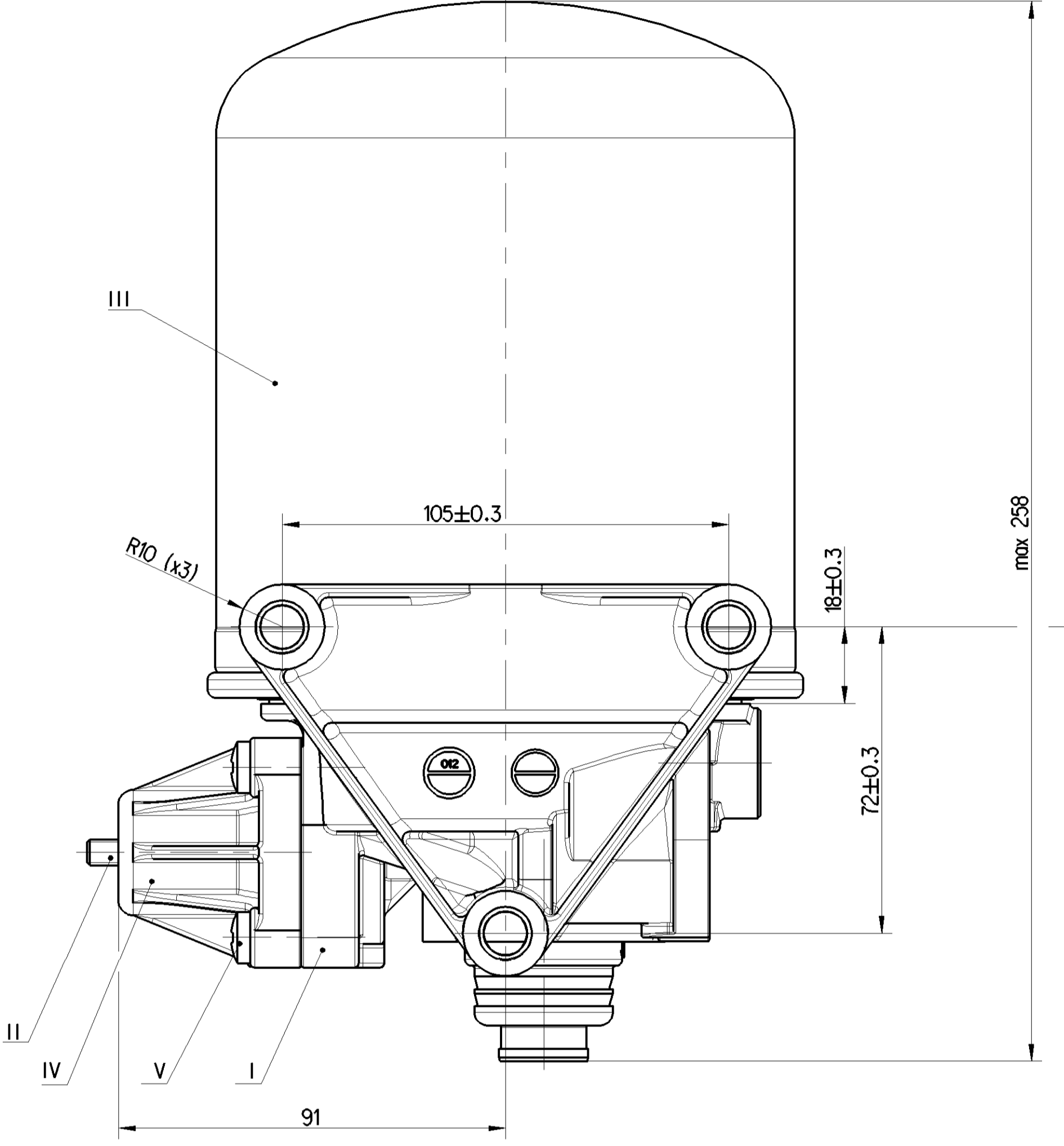
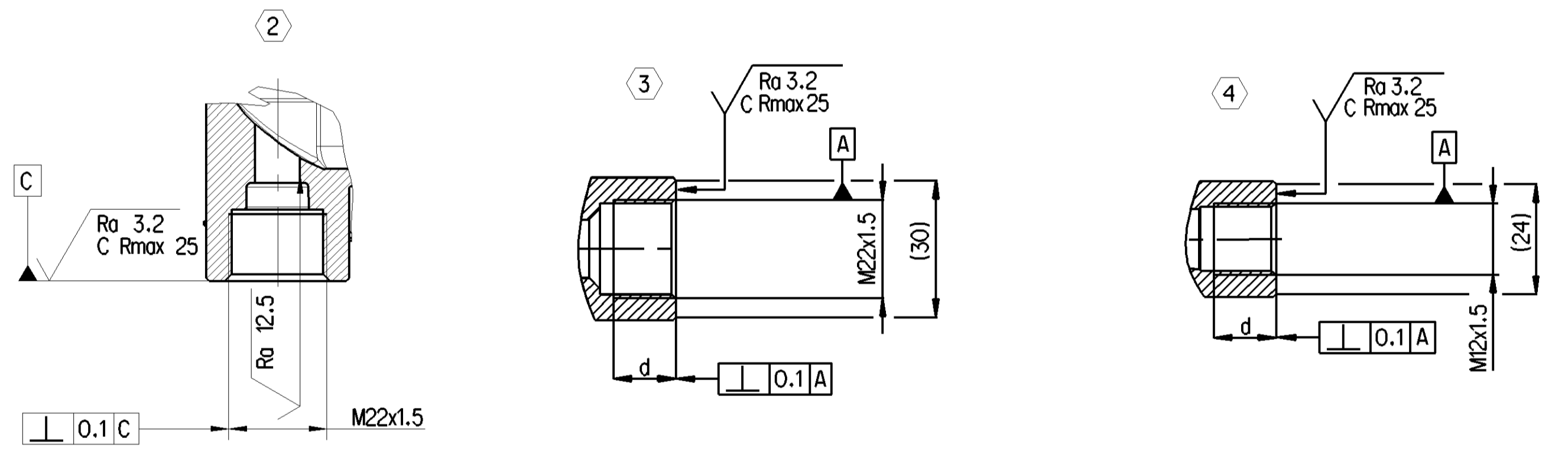
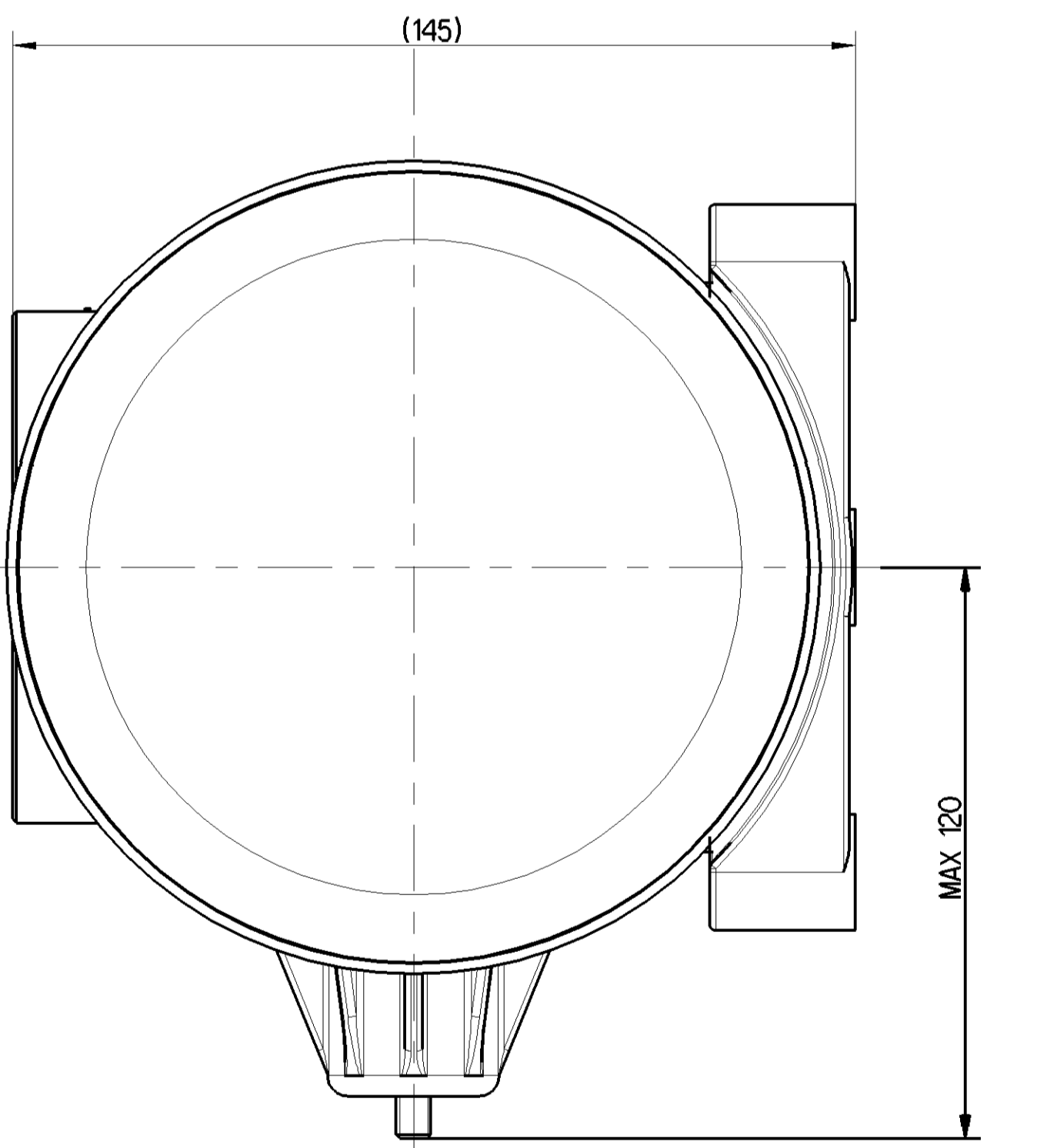


EXTERNAL SURFACE	
I	JED-259-3
II	JED-256-3
III	JED-471-0
IV	PLASTIC
V	JED-256-1
VI	JED-007-1



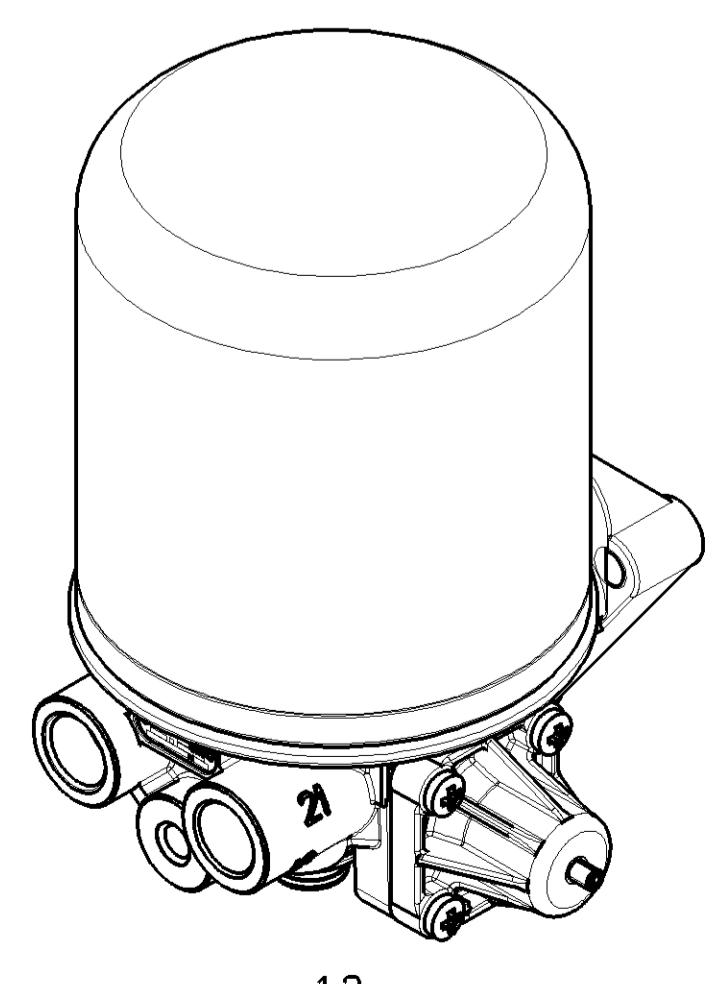
PRO 124 001 2
M = 15₋₂⁰ Nm

ADJUSTMENT MARKET WITH PAINT

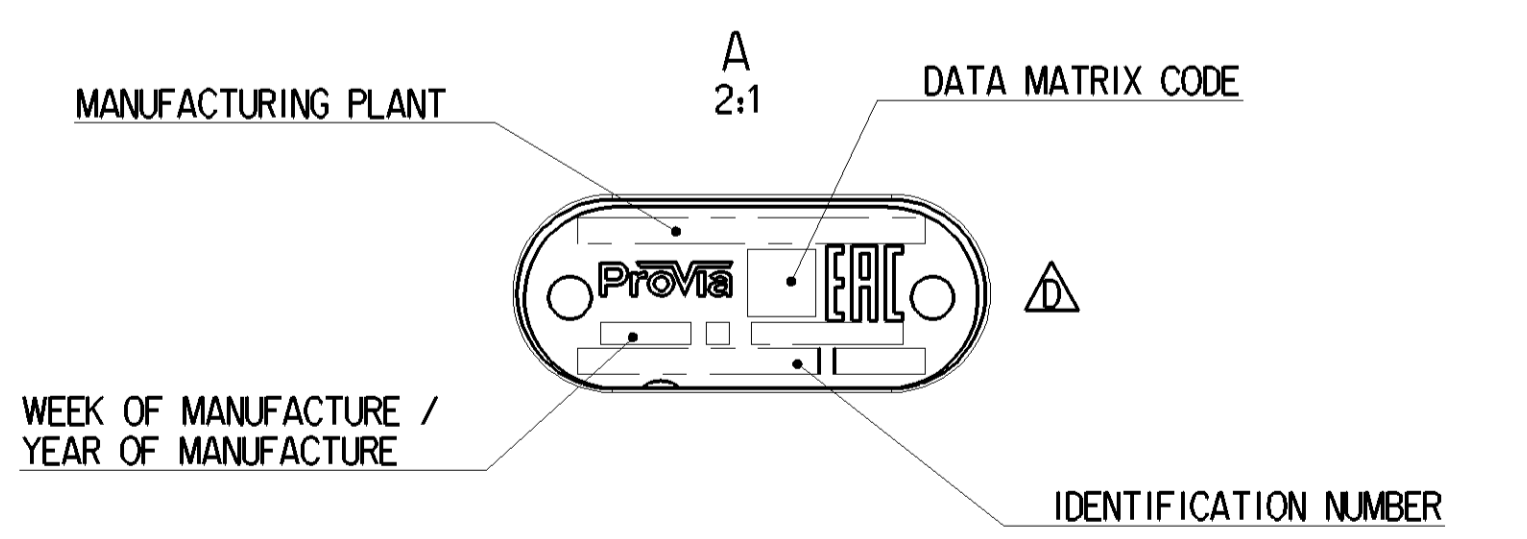
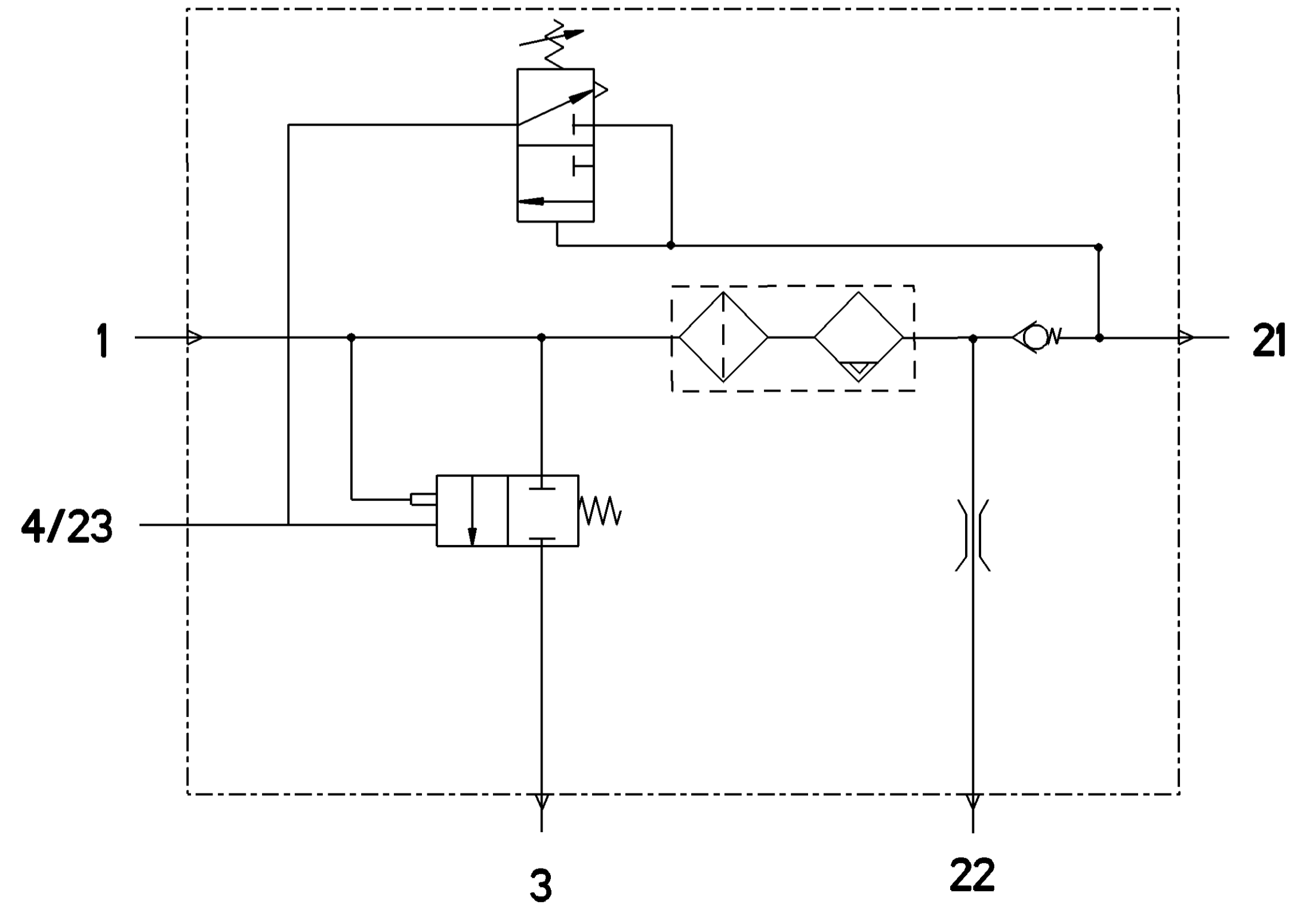


PORT	FUNCTION	THREAD
1 ^②	FROM THE COMPRESSOR	M22x1.5 d=15
21 ^③	TO THE RESERVOIRS	M22x1.5 d=24.5
22 ^④	TO RESERVOIR FOR REGENERATION AIR	M12x1.5 d=12
3	EXHAUST FOR COMPRESSED AIR	SILENCER
4/23 ^④	CONTROL PORT	M12x1.5 d=12

TECHNICAL DATA	
MEDIUM:	COMPRESSED AIR
WORKING PRESSURE:	Pe MAX = 13 bar
MAX. PERMISSIBLE FREQUENCY:	50 Hz
MAX. PERMISSIBLE ACCELERATION:	10 xg
COMBINED UNLOADER	
OUT OUT PRESSURE:	12.0±0.2 bar
OPERATING RANGE:	1.4±0.4 bar
DYNAMIC PRESSURE OF SAFETY VALVE:	15 ₀ ¹⁶ bar (BY Vn = 100 dm ³ /min)
TORQUES FOR CONNECTIONS:	M12x1.5: Mmax = 21 Nm M22x1.5: Mmax = 53 Nm



1:2



① INSTALLATION POSITION AS DRAWN

General Specification: ISO 8436, JED-004-1, Size (S1) 14105 LP		Copyright: 2022-07-05		Prövia	
Further Technical Data: PRO 02 005 0		Date: 2022-07-05		AIR DRYER	
Doc. Code: 020		Version: 1.1		005 EN 1/1	
General Tolerances: ISO 2011		2022-07-05		Prövia	
Range of Nominal Dimensions (d in mm)		3.5		PRO 122 005 0	
Class	10	15	20	25	30
File	±0.05	±0.10	±0.15	±0.2	±0.3
Medium	X	±1	±2	±3	±4
Coarse	X	±2	±3.5	±5	±6.5
Tapped holes acc.:		A 0		D 5000 AM	
Tapped holes acc.:		A 0		D 5000 AM	