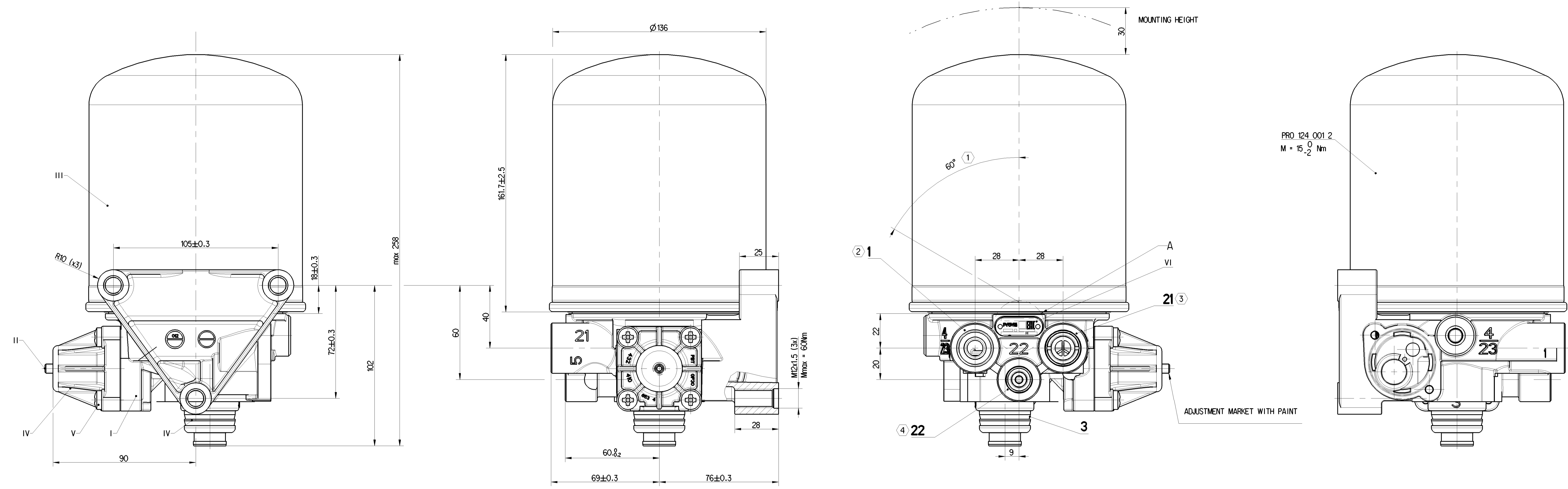


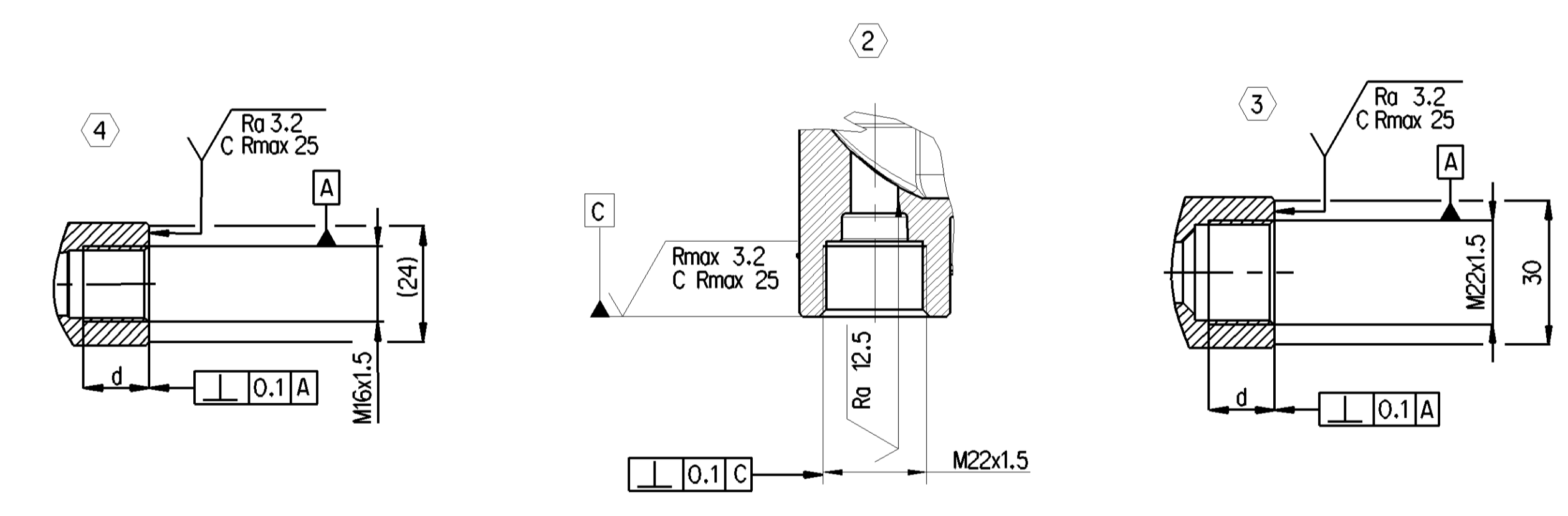
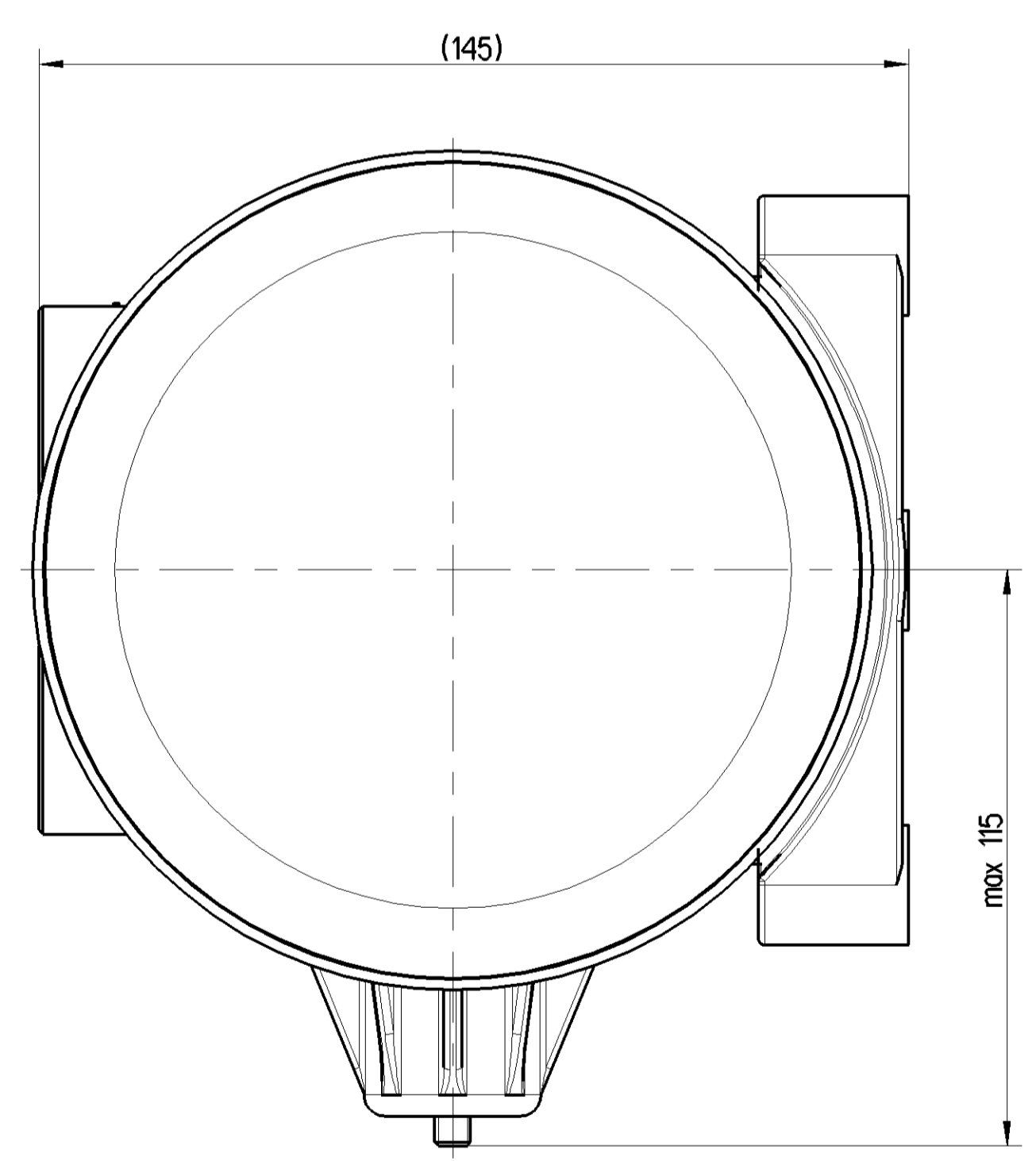
EXTERNAL SURFACE	
I	JED-259-3
II	JED-256-3
III	JED-471-0
IV	PLASTIC
V	JED-256-1
VI	JED-007-1



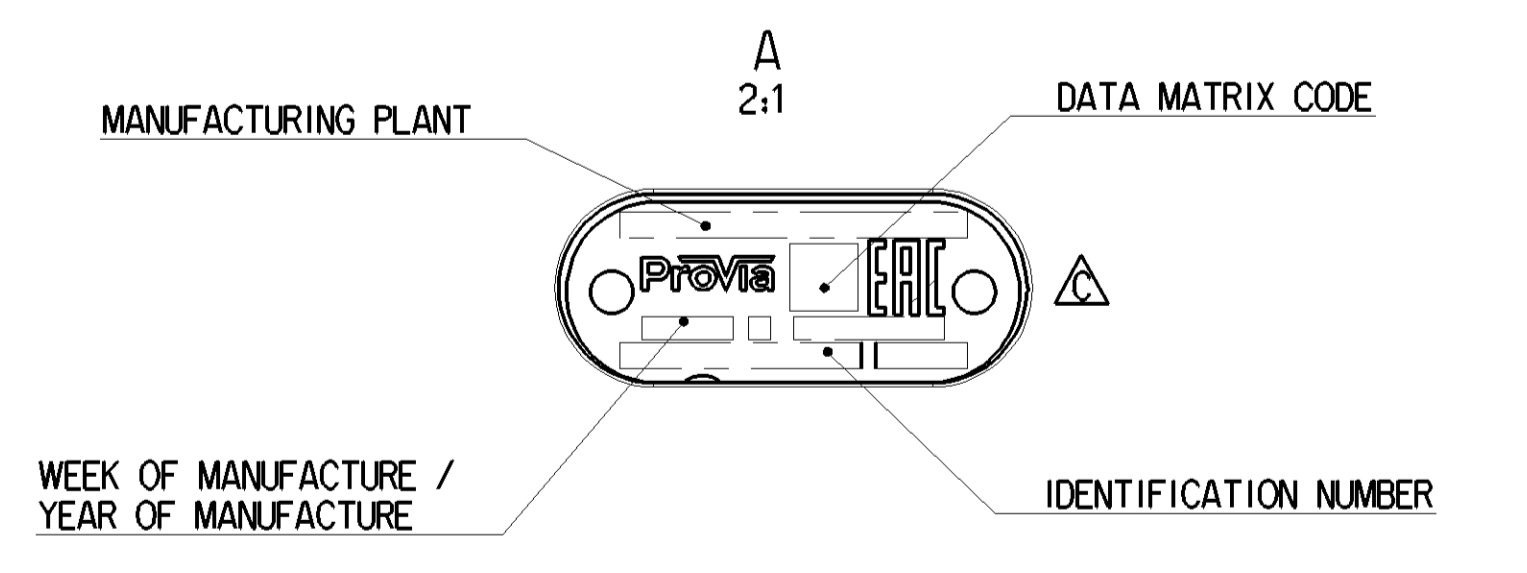
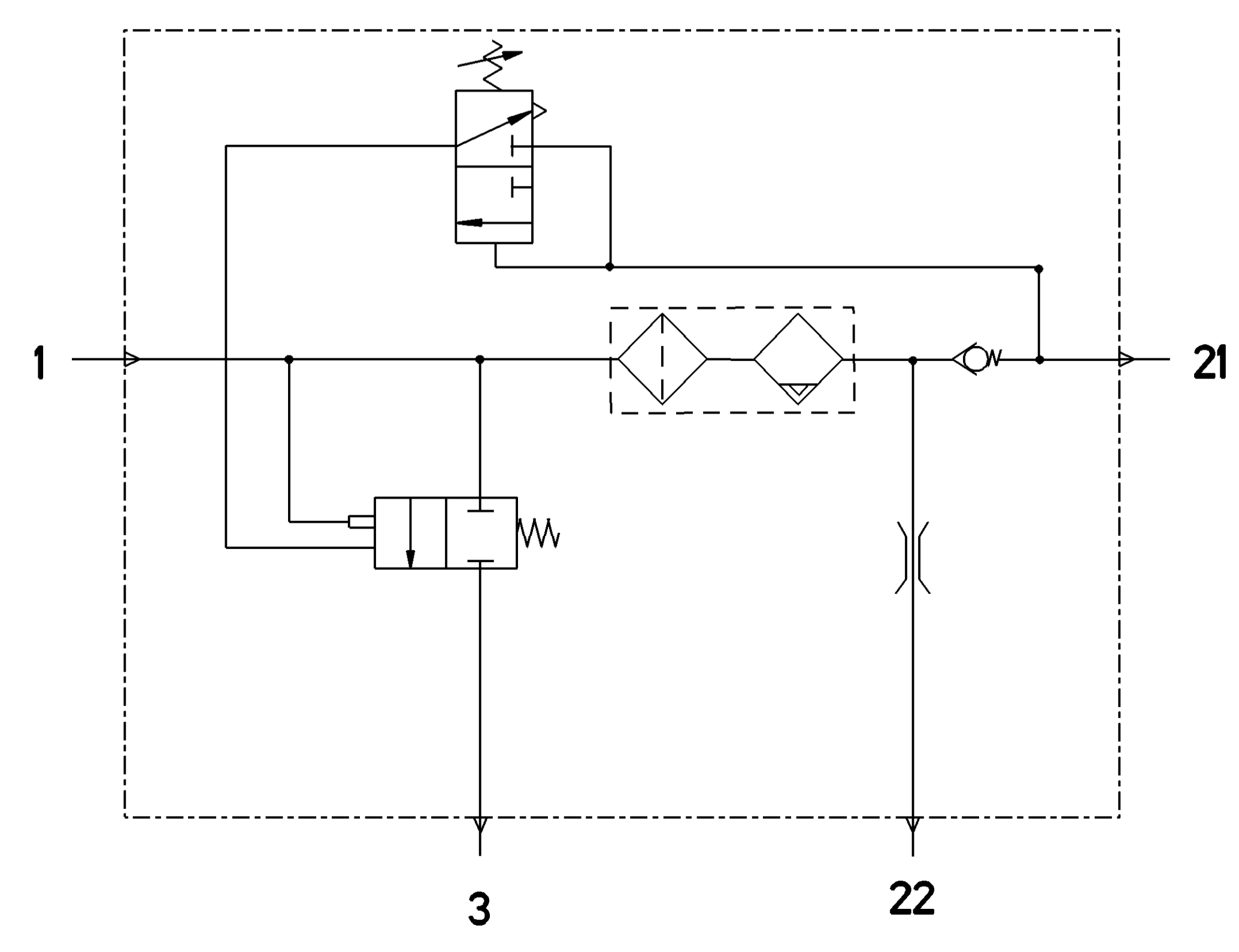
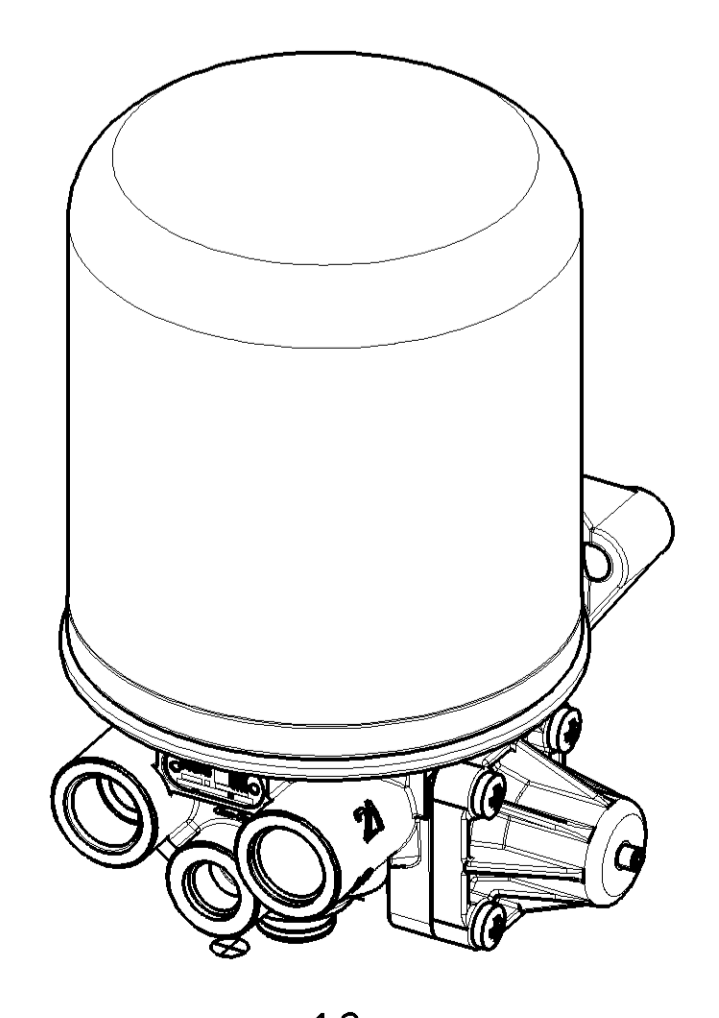
TECHNICAL DATA

MEDIUM:	COMPRESSED AIR
WORKING PRESSURE:	Pe MAX+13 bar
MAX. PERMISSIBLE FREQUENCY:	50 Hz
MAX. PERMISSIBLE ACCELERATION:	±10x g
COMBINED UNLOADER:	
OUT OUT PRESSURE:	10.0±0.2 bar
OPERATING RANGE:	1.0 ⁺⁵ / ₋₅ bar
DYNAMIC PRESSURE OF SAFETY VALVE:	12 ⁺¹ / ₋₁ bar (BEI $\dot{V}_n=100dm^3/min.$)
TORQUES FOR CONNECTIONS:	M16x1.5: Mmax = 34 Nm M22x1.5: Mmax = 53 Nm

① INSTALLATION POSITION AS DRAWN



PORT	FUNCTION	THREAD
1	FROM THE COMPRESSOR	M22x1.5 JED-152 d=15
21	TO THE RESERVOIRS	M22x1.5 JED-388
22	TO THE RESERVOIRS FOR REGENERATED AIR	M16x1.5 JED-388
3	EXHAUST FOR COMPRESSED AIR	-



General Specification: ISO 8434, JED-004-1, Size (D) 14405 LP		Copyright: 2022-07-05		Prövia	
Further Technical Data: PRO 02 007 0		Date: 2022-07-05		AIR DRYER	
Doc. Code: 020		Sheet: 1 To 4		Revision: 005	
General Tolerances: ISO 2011		Drawing: 2022-07-05		EN 1/1	
Range of Nominal Dimensions (d in mm)		Dimensions in mm		Date of First Issue: 2018-07-04	
Class	h1	h2	h3	h4	h5
Fine	±0.05	±0.10	±0.15	±0.2	±0.3
Medium	X ±0.1	±0.2	±0.3	±0.4	±0.5
Coarse	±0.2	±0.3	±0.4	±0.5	±0.6
Tapped holes acc.:		3.5		1:1 (2:1)	
Tapped holes acc.:		A 0		PRO 122 007 0	
Tapped holes acc.:		A 0		SIXESHO 2 x C 5050 AM	