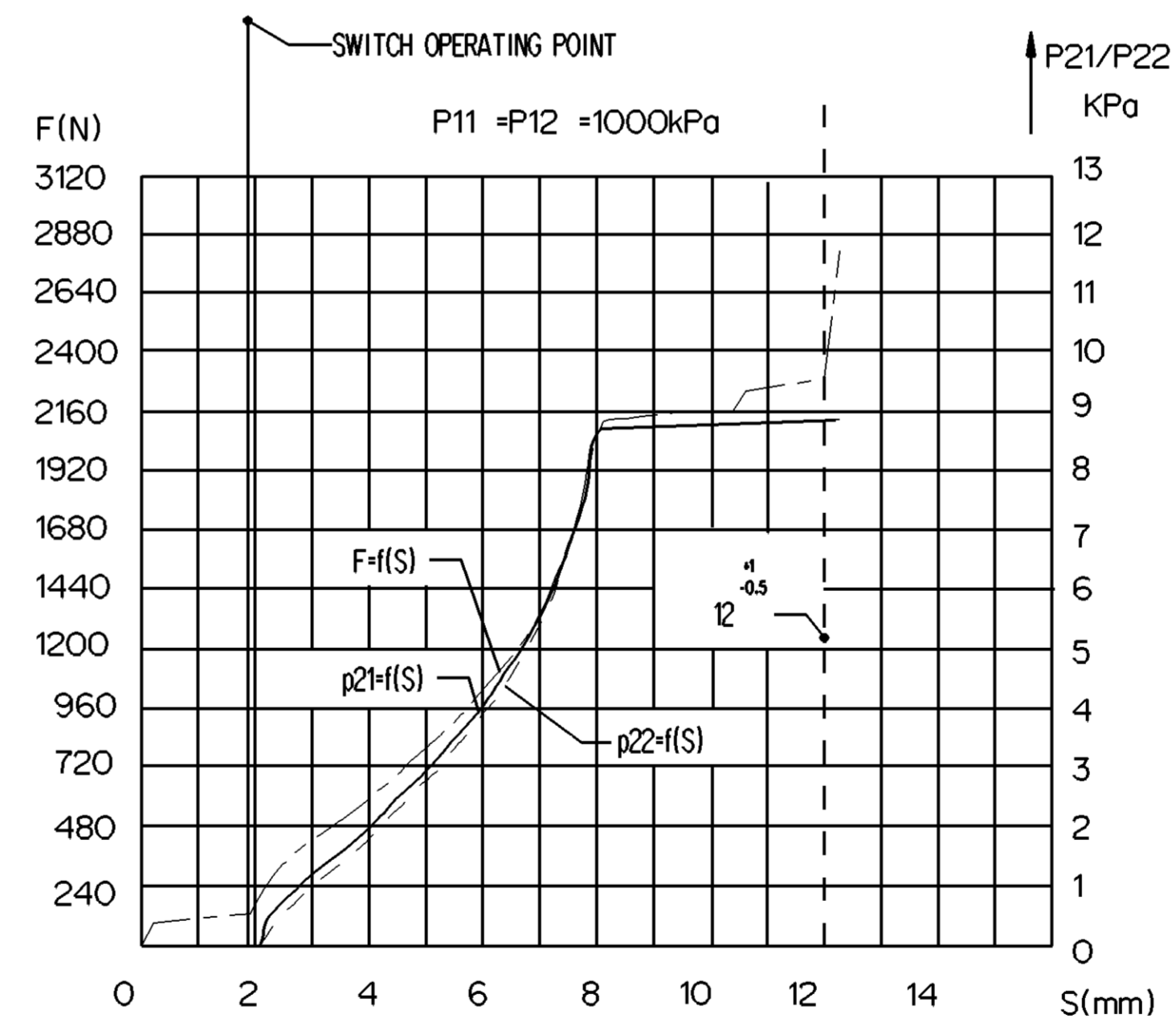
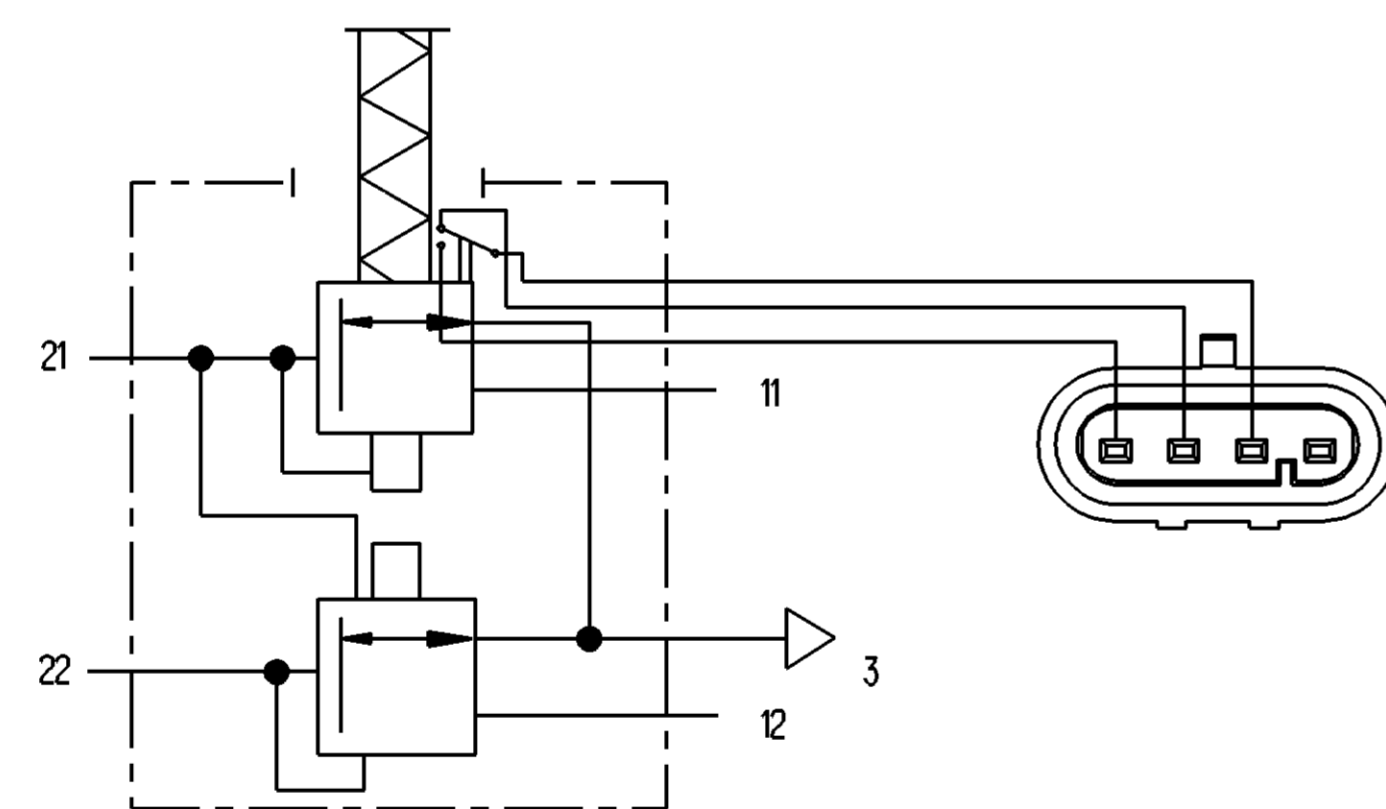
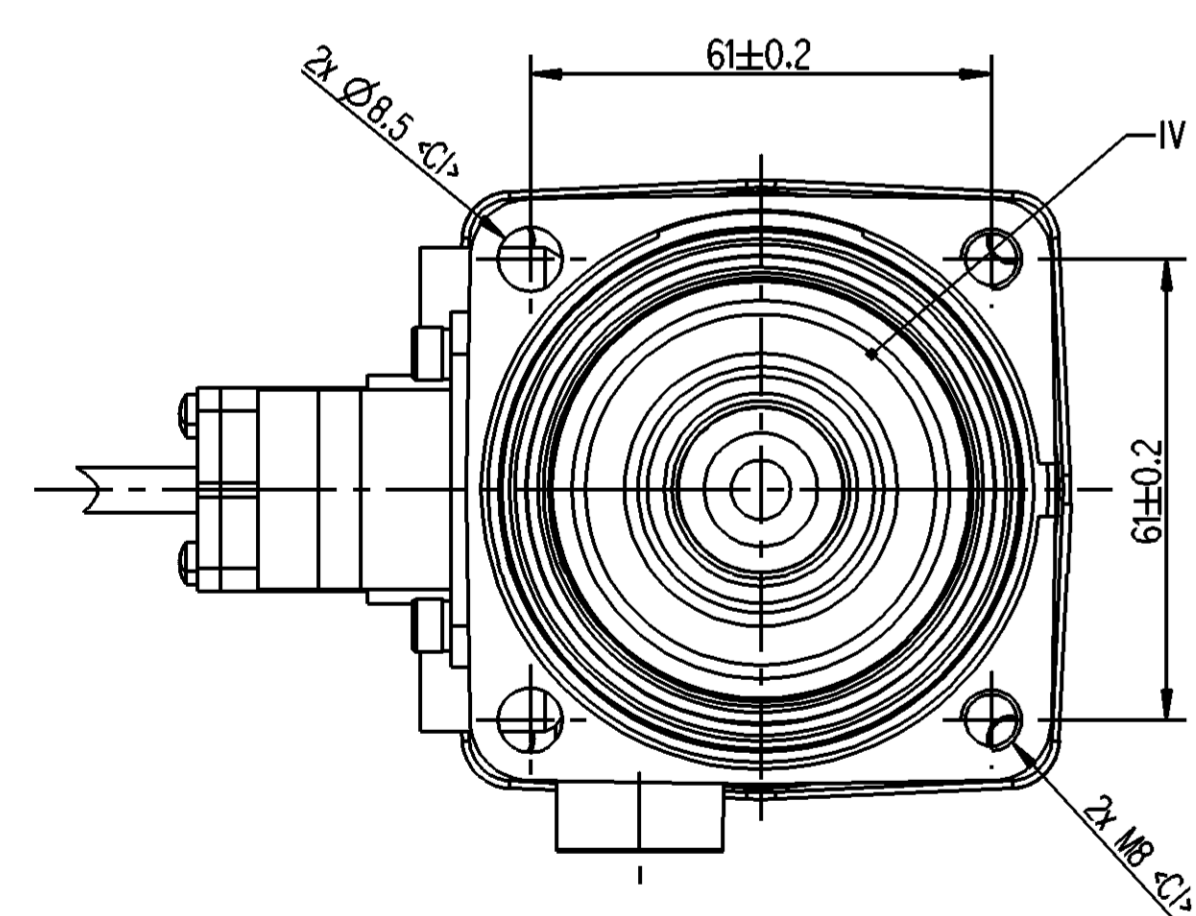
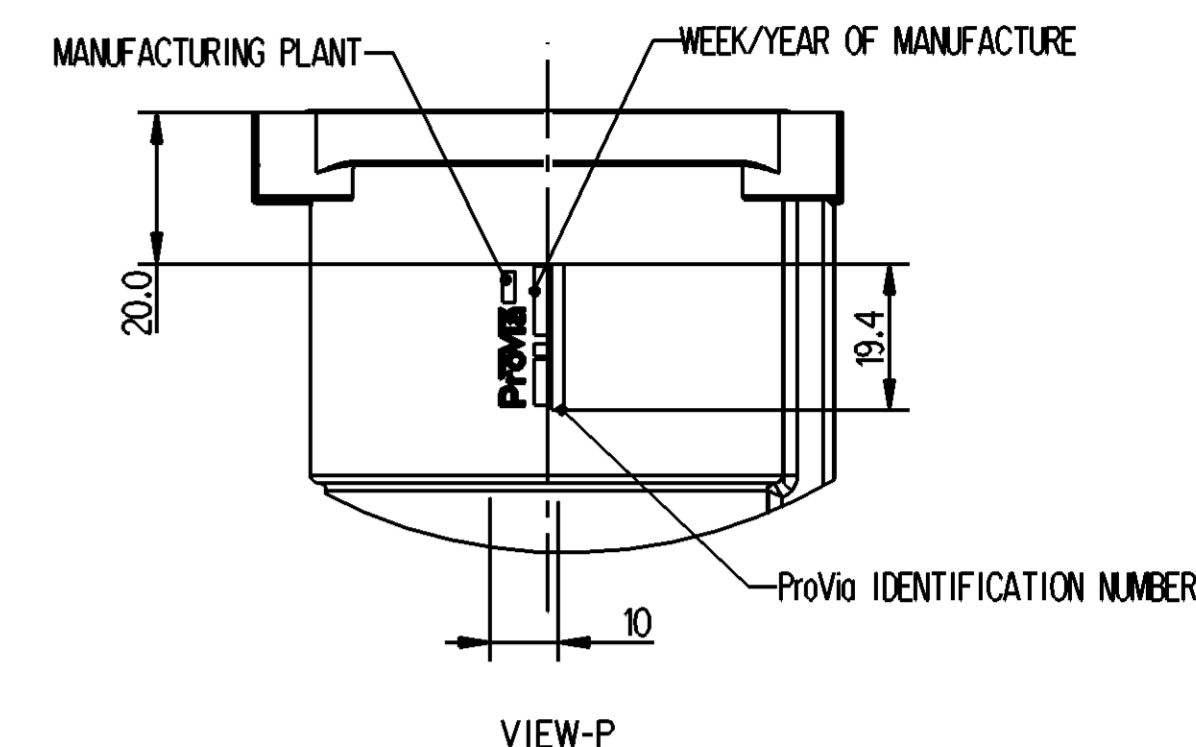
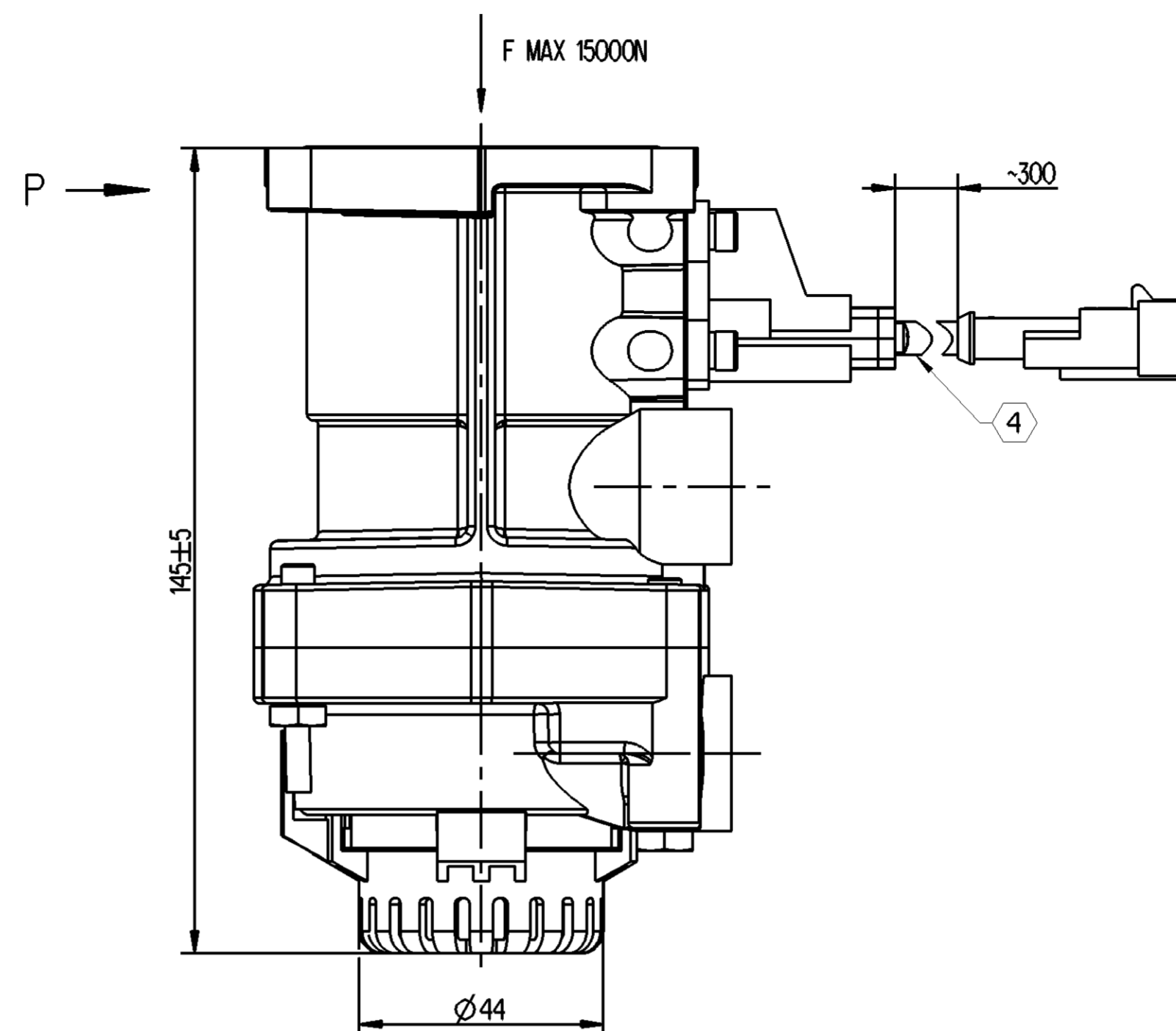
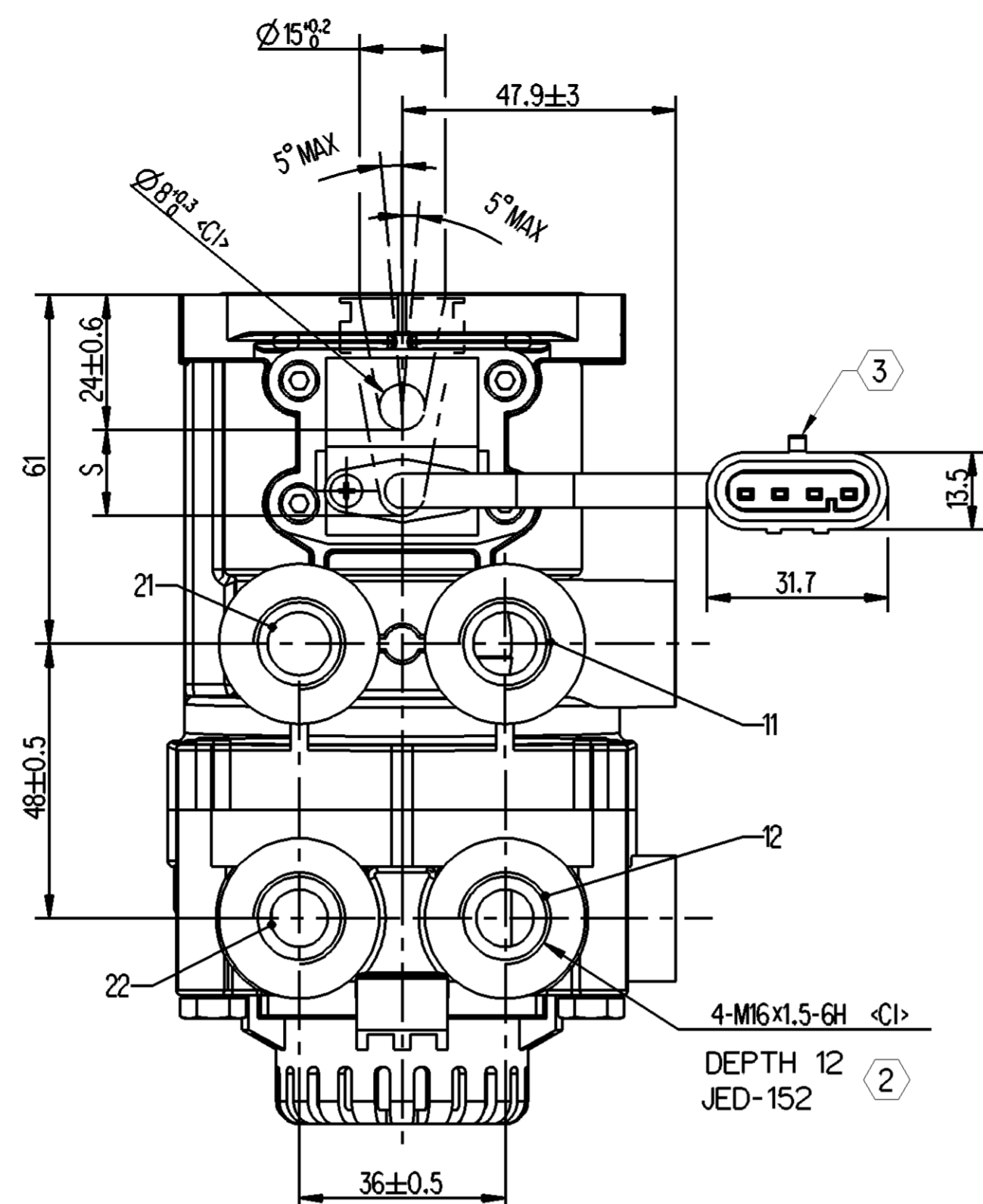
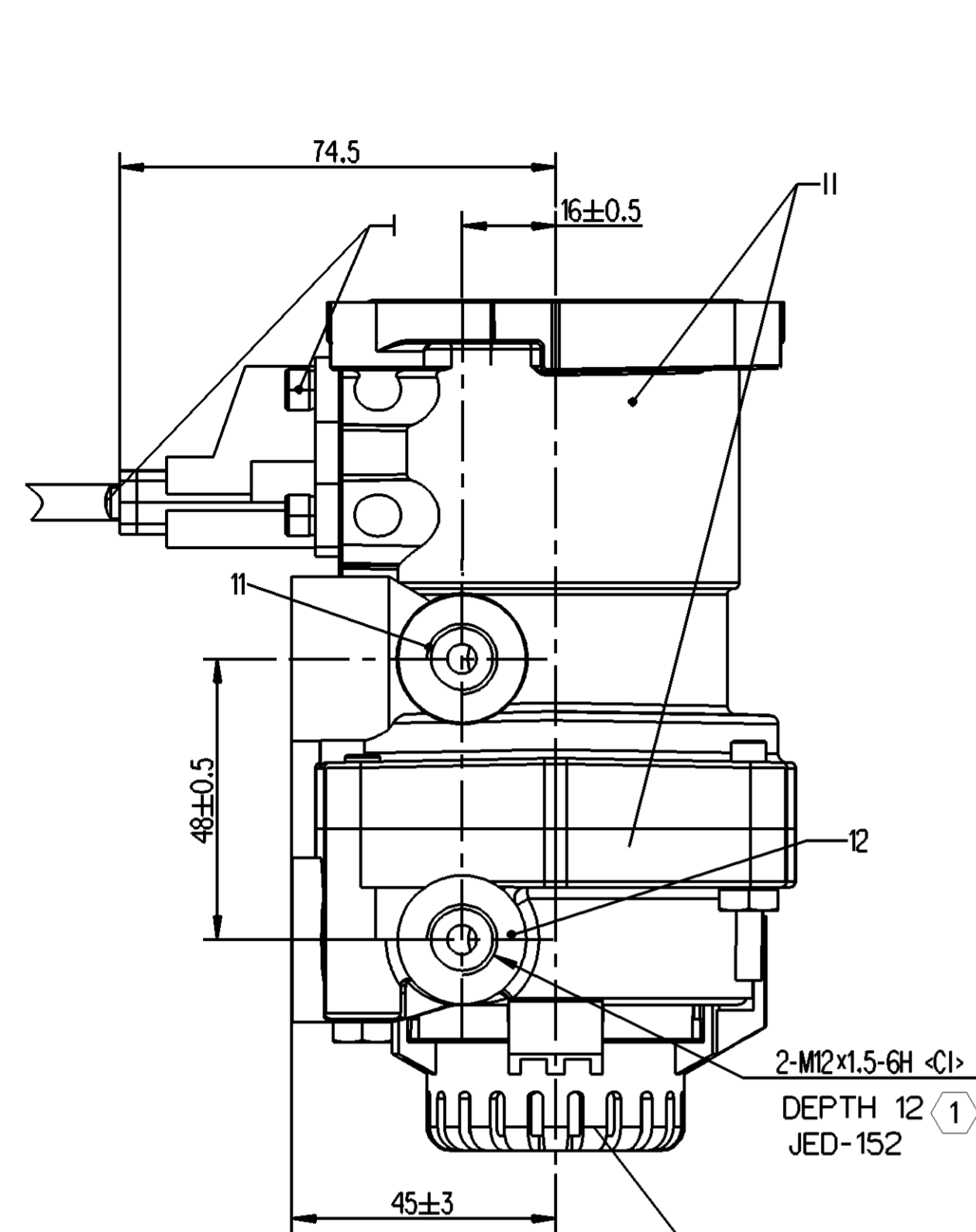


<1> SAFETY CHARACTERISTICS	0
<2> SIGNIFICANT CHARACTERISTICS	0
<C1> CUSTOMER INTERFACE	6



TECHNICAL DATA		
S.No.	NOTES	
1	PRODUCT FUNCTION AND RELIABILITY	
2	WORKING MEDIUM	AIR
3	NORMAL WORKING PRESSURE	10 bar
4	MAXIMUM WORKING PRESSURE	12 bar
5	NOMINAL DIAMETER (78.5 mm sq)	Ø10 mm
6	THERMAL RANGE OF APPLICATION	-40°C TO +80°C
7	NOISE LEVEL	≤82 dBA Δ
8	DEGREE OF PROTECTION	IP65

- ① TORQUE 2Nm MAX
- ② TORQUE 34Nm MAX
- ③ CONNECTOR MODEL AMP282106-1
MATCHING MODEL AMP282088-1 <C1>
- ④ WIRE SPECIFICATION : 0.5mm²
WORKING CURRENT : 0.5A
WORKING VOLTAGE : 24V DC

AT FAILURE CIRCUIT 1: NECESSARY STROKE $S \geq 13$ mm
NECESSARY FORCE $F = 4100$ N

11/12 SUPPLY
21/22 OUTLET
3 EXHAUST

MATERIAL AND SURFACE PROTECTION

S.No.	MATERIAL	SURFACE PROTECTION
I	STEEL	ZINC PLATED
II	ALUMINIUM ALLOY	CHROMA TED
III	PLASTIC	NO TREATMENT
IV	RUBBER	NO TREATMENT

General Specifications: ISO 8015, JED-334-1, Size ISO 14405 LP		Copyright WABCO®	
Further Technical Data: PRO 315 010 0		Date: 2022-09-28	Signature:
Doc. Code: 035	Sheet: 1 To 8	2022-09-28	Saravanan
General Tolerances JED-261		2022-10-06	
Range of Nominal Dimensions (± mm)		Mannivannan	
Class	1) ≤ 50	2) > 50 < 180	3) > 180 < 400
Fine	±0.5	±1	±1.5
Medium	±1	±2	±3
Coarse	±2	±3.5	±5
Tapped Holes acc. JED-152		Dimensions in mm	
1) Tolerance Class Applied Crossmarked		Mass	Scale
		1.1 kg	1:1
		Size	CAD System
		A 1	CREO
		Material No. PRO 315 010 0	
		Date of first issue: 2022-08-03	
		Doc.Code Language Sheet	
		005 EN 1/1	
		Revision	
		5180_AM	
		Tech. Resp.	
		A	
		Replacement for	

Non e permesso copiare o riprodurre questo documento, ne utilizzare il contenuto o riprodurre comunque tutto o parte di esso, senza permesso scritto dalla WABCO. E' vietata espressamente la ristampa o l'uso di immagini o di dati. Toute communication ou reproduction de ce document, sans autorisation de la WABCO, est formellement interdite. Toute utilisation non autorisée de ce document, sans autorisation écrite de la WABCO, est formellement interdite.