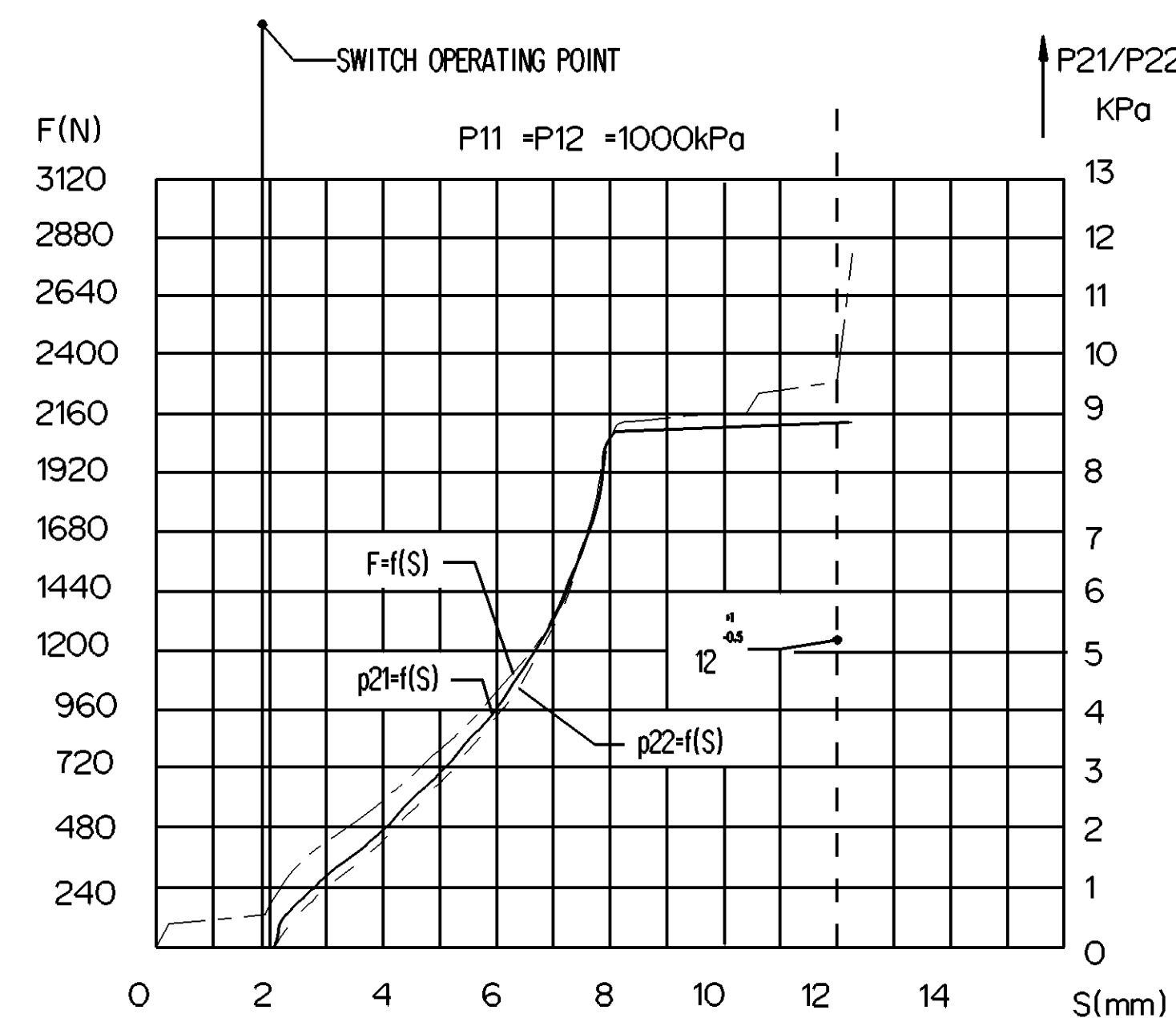
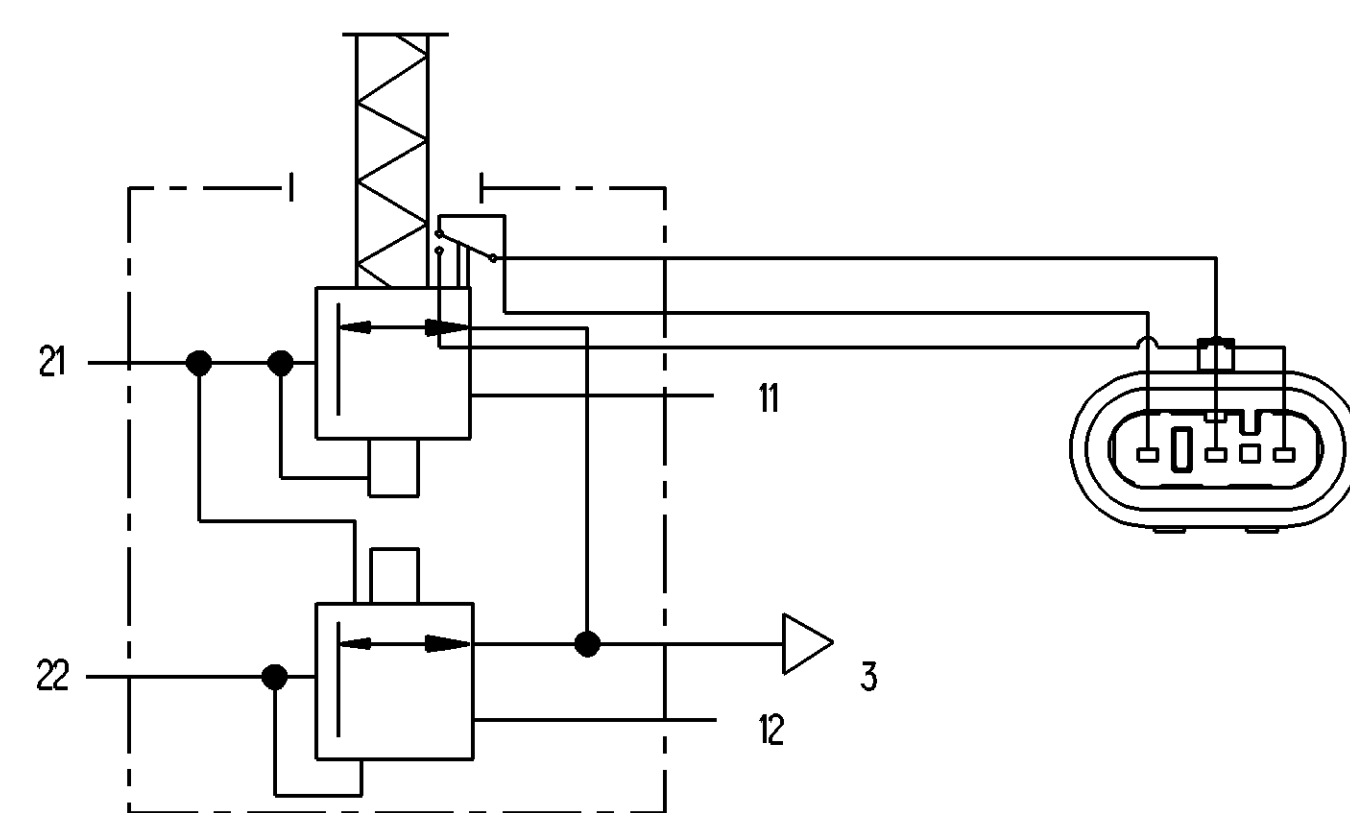
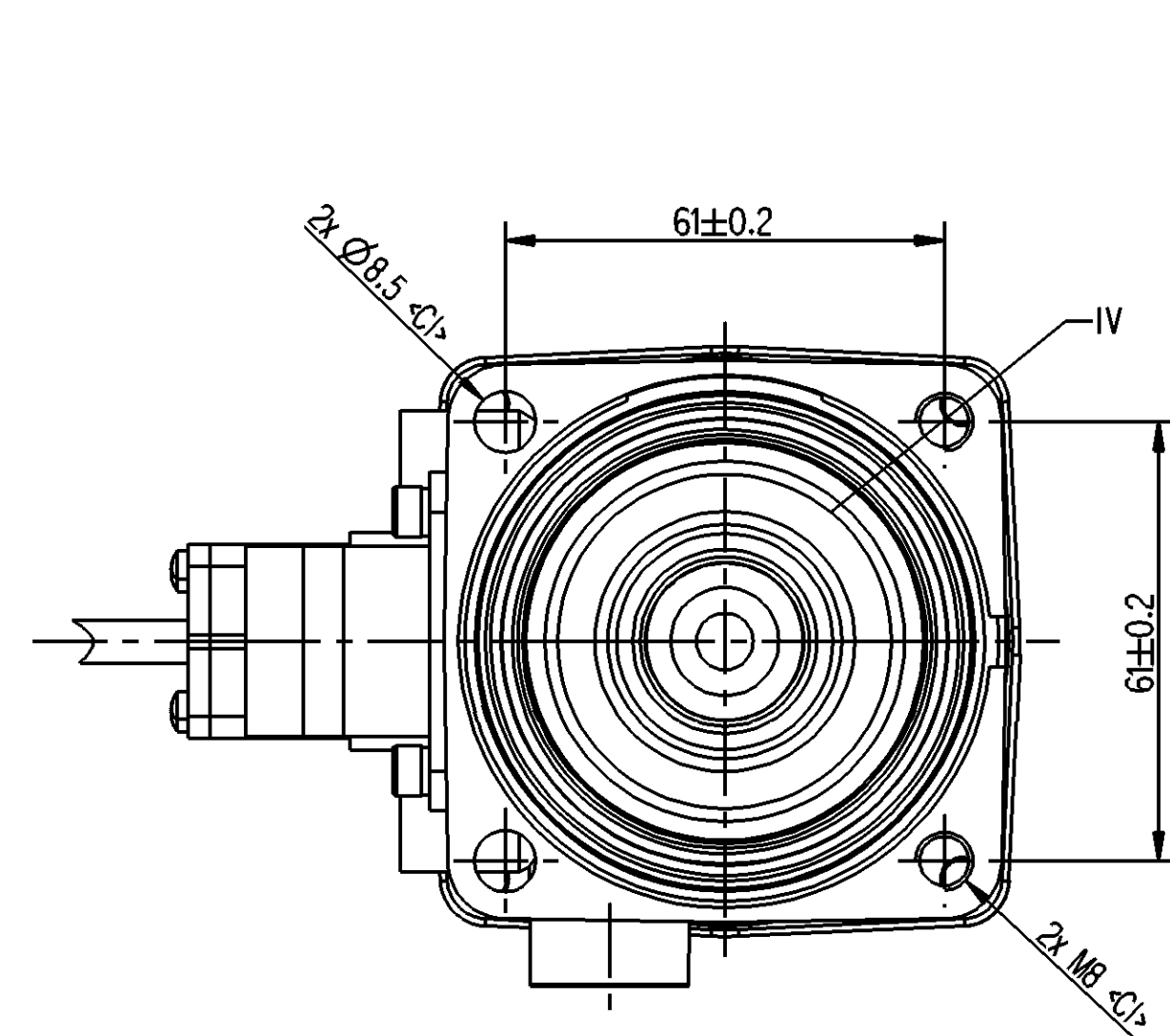
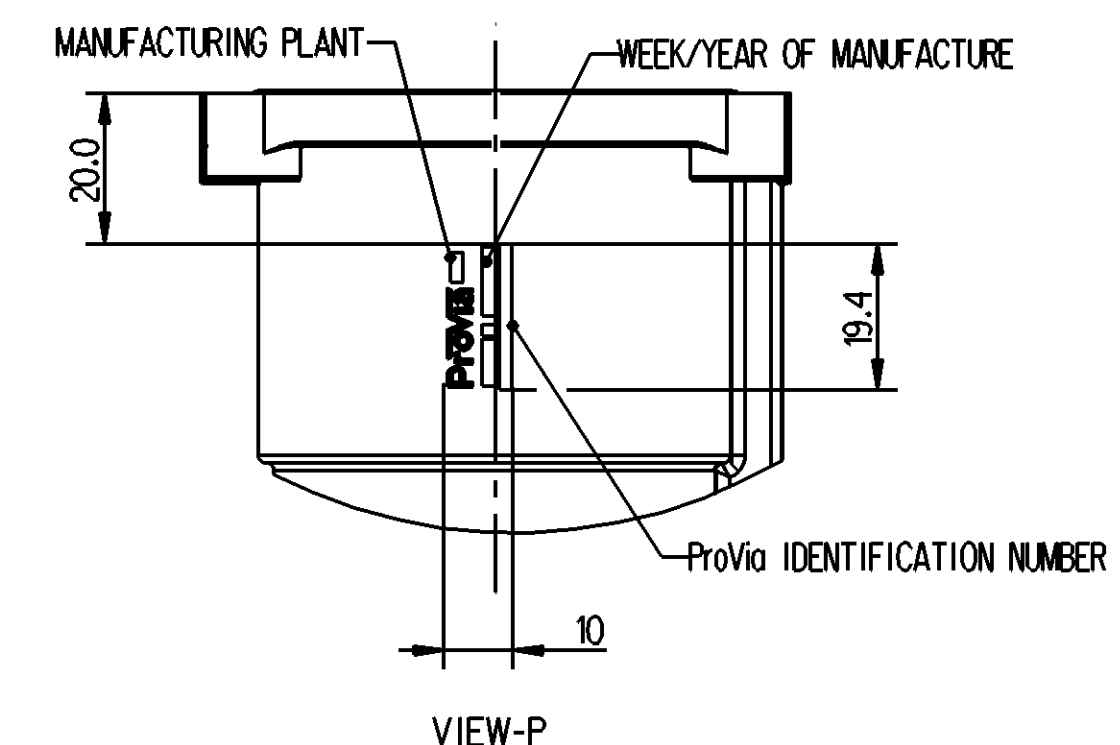
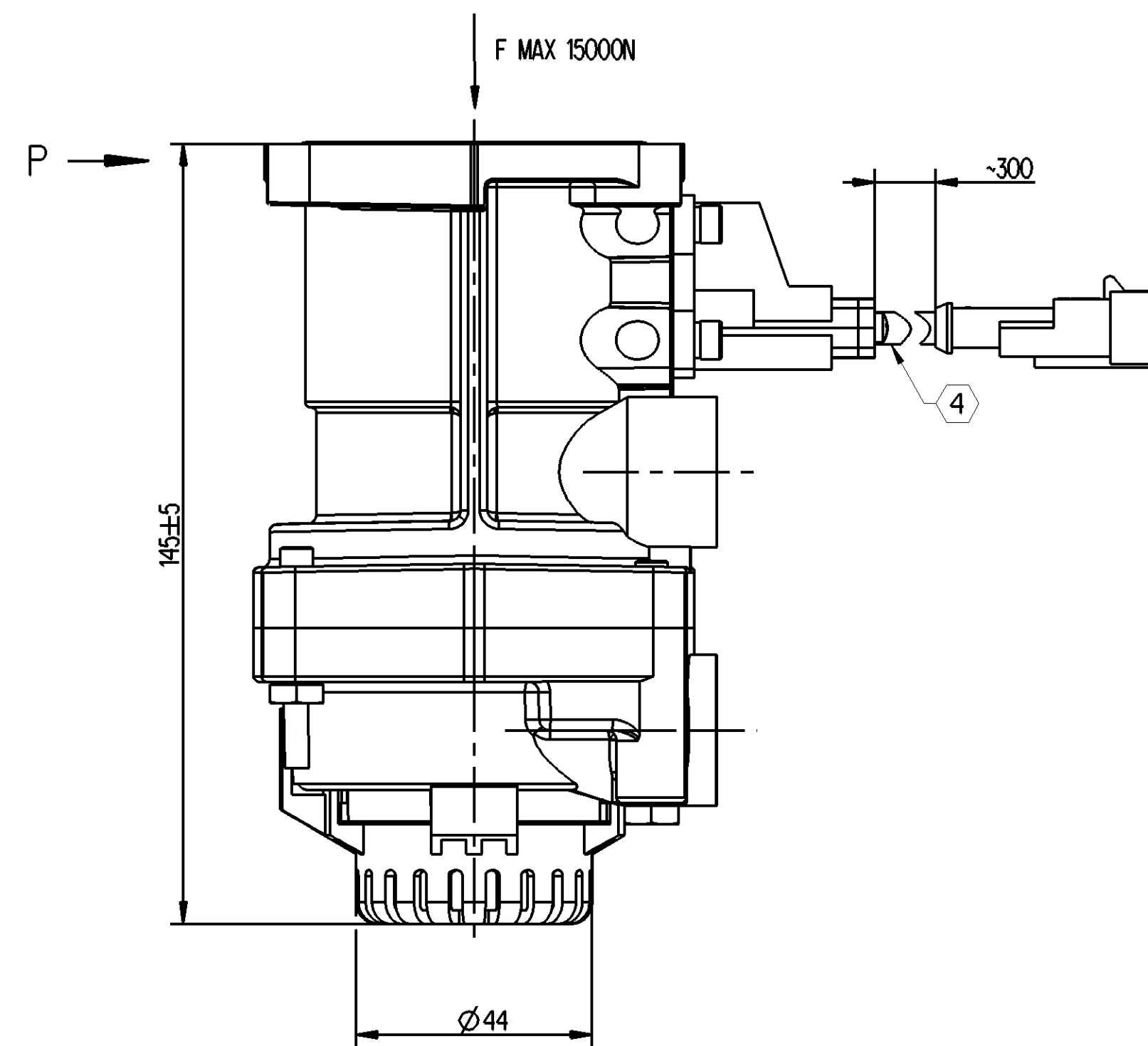
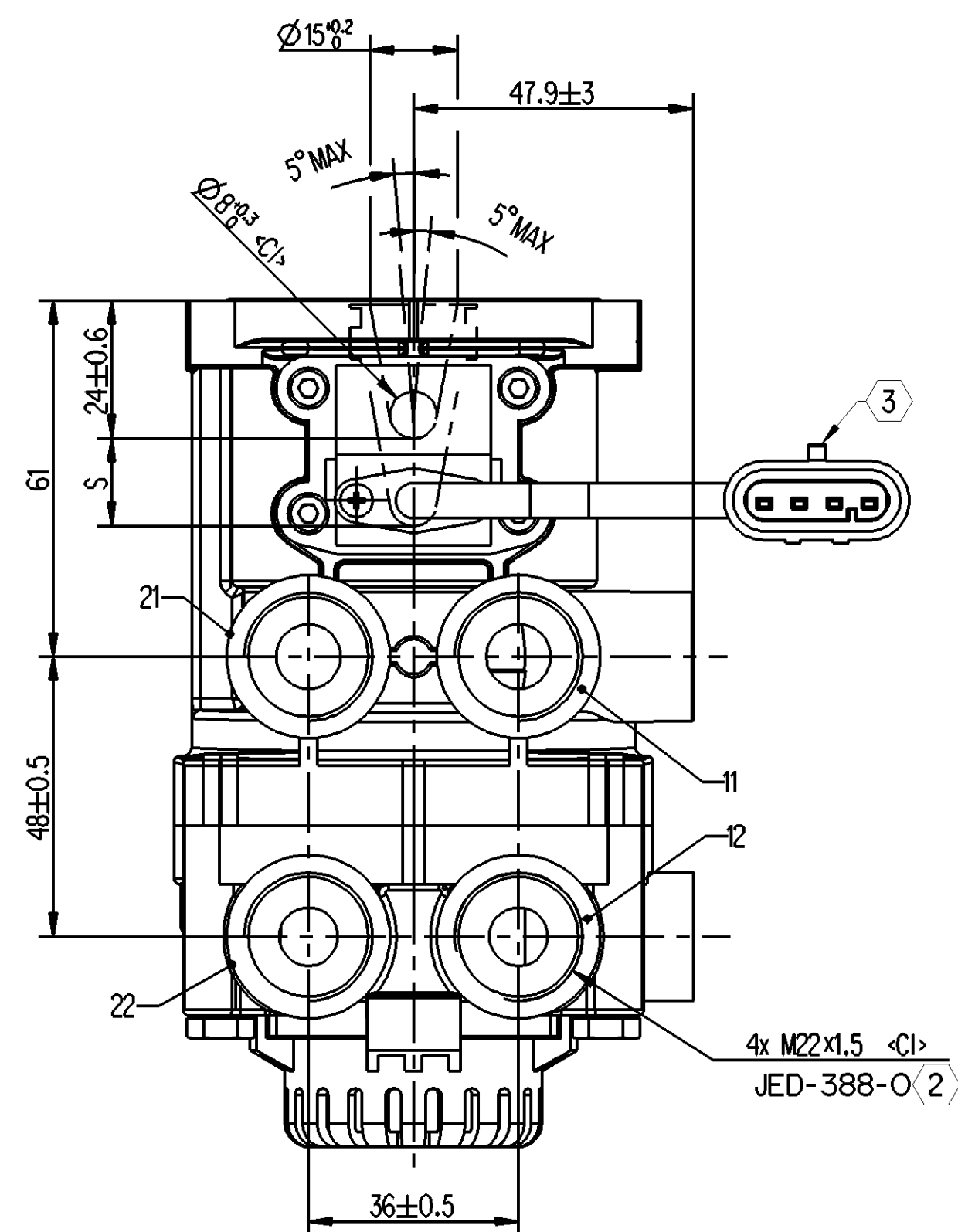
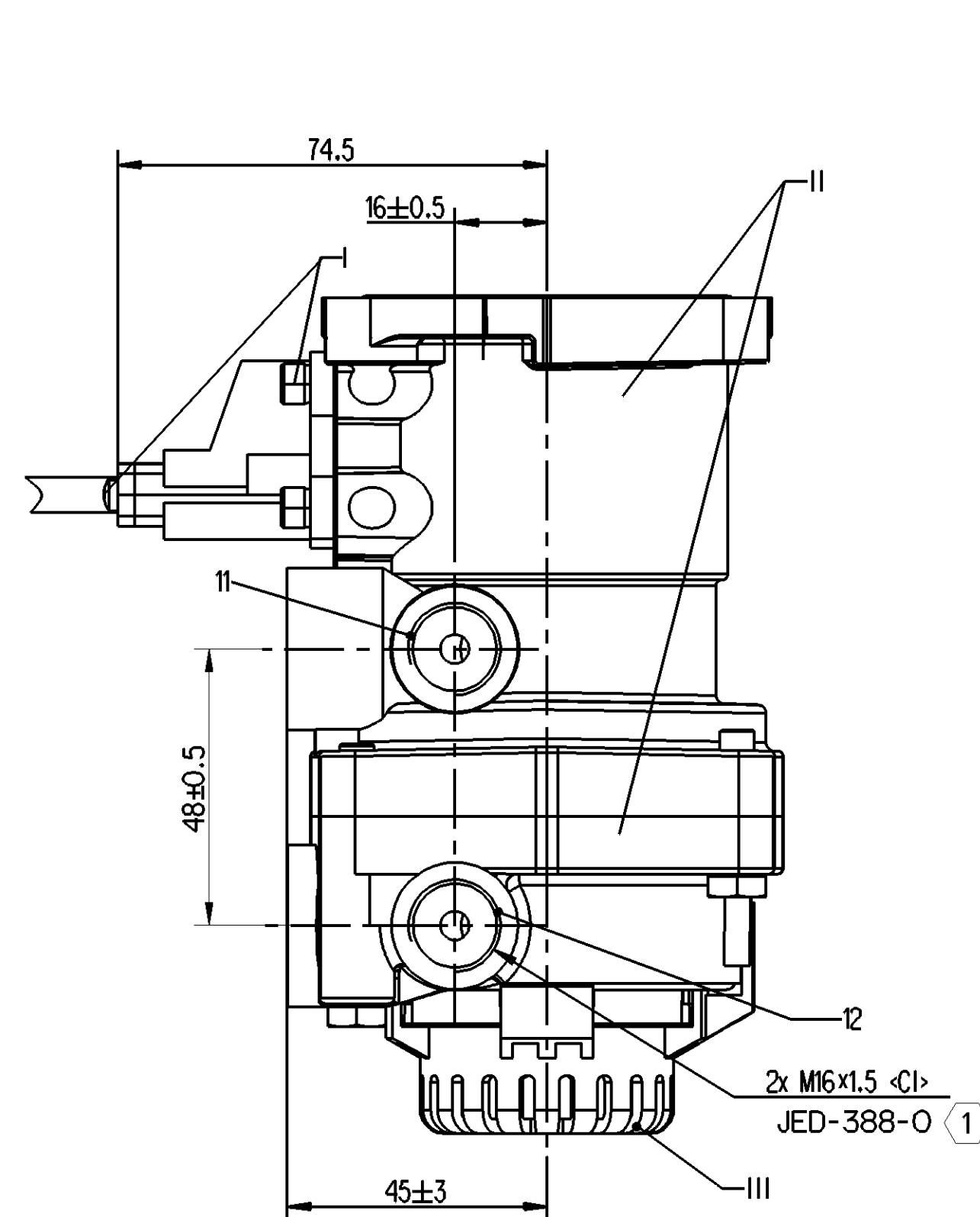


<P> SAFETY CHARACTERISTICS	0
<S> SIGNIFICANT CHARACTERISTICS	0
<CI> CUSTOMER INTERFACE	6



AT FAILURE CIRCUIT 1: NECESSARY STROKE $S \geq 13$ mm

NECESSARY FORCE $F = 4100$ N

11/12 SUPPLY

21/22 OUTLET

3 EXHAUST

TECHNICAL DATA

S.No.	NOTES	
1	PRODUCT FUNCTION AND RELIABILITY	
2	WORKING MEDIUM	AIR
3	NORMAL WORKING PRESSURE	10 bar
4	MAXIMUM WORKING PRESSURE	12 bar
5	NOMINAL DIAMETER (78.5 mm sq)	Ø10 mm
6	THERMAL RANGE OF APPLICATION	-40°C TO +80°C
7	NOISE LEVEL	≤82 dBA Δ
8	DEGREE OF PROTECTION	IP65

1 TORQUE 34Nm MAX

2 TORQUE 53Nm MAX

3 CONNECTOR MODEL AMP282104-1 <CI>
MATCHING MODEL AMP282080-1

4 WIRE SPECIFICATION : 0.5mm²
WORKING CURRENT : 0.5A
WORKING VOLTAGE : 24V DC

MATERIAL AND SURFACE PROTECTION

S.No.	MATERIAL	SURFACE PROTECTION
I	STEEL	ZINC PLATED
II	ALUMINIUM ALLOY	CHROMA TED
III	PLASTIC	NO TREATMENT
IV	RUBBER	NO TREATMENT

General Specifications: ISO 8015, JED-334-1, Size ISO 14405 LP		Copyright WABCO®		
Further Technical Data: PRO 315 010 0		Date: 2022-09-28	Signature: Saravanan	
Doc. Code: O35	Sheet: 1 To 8	2022-09-28	2022-10-06	
General Tolerances JED-261		Dimensions in mm		
Range of Nominal Dimensions (± mm)		Mass		
Class	1) ≤ 50	2) > 50 < 180	3) > 180 < 400	Scale
Fine	±0.5	±1	±1.5	1:1
Medium	±1	±2	±3	1:1
Coarse	±2	±3.5	±5	1:1
Tapped Holes acc. JED-388		Material No.		
1) Tolerance Class Applied Crossmarked		PRO 315 010 0		
		Date of first issue: 2022-08-05		
		Doc.Code Language Sheet		
		005 EN 1/1		
		Revision		
		5180_AM		
		Tech. Resp.		
		5180_AM		
		Replacement for		