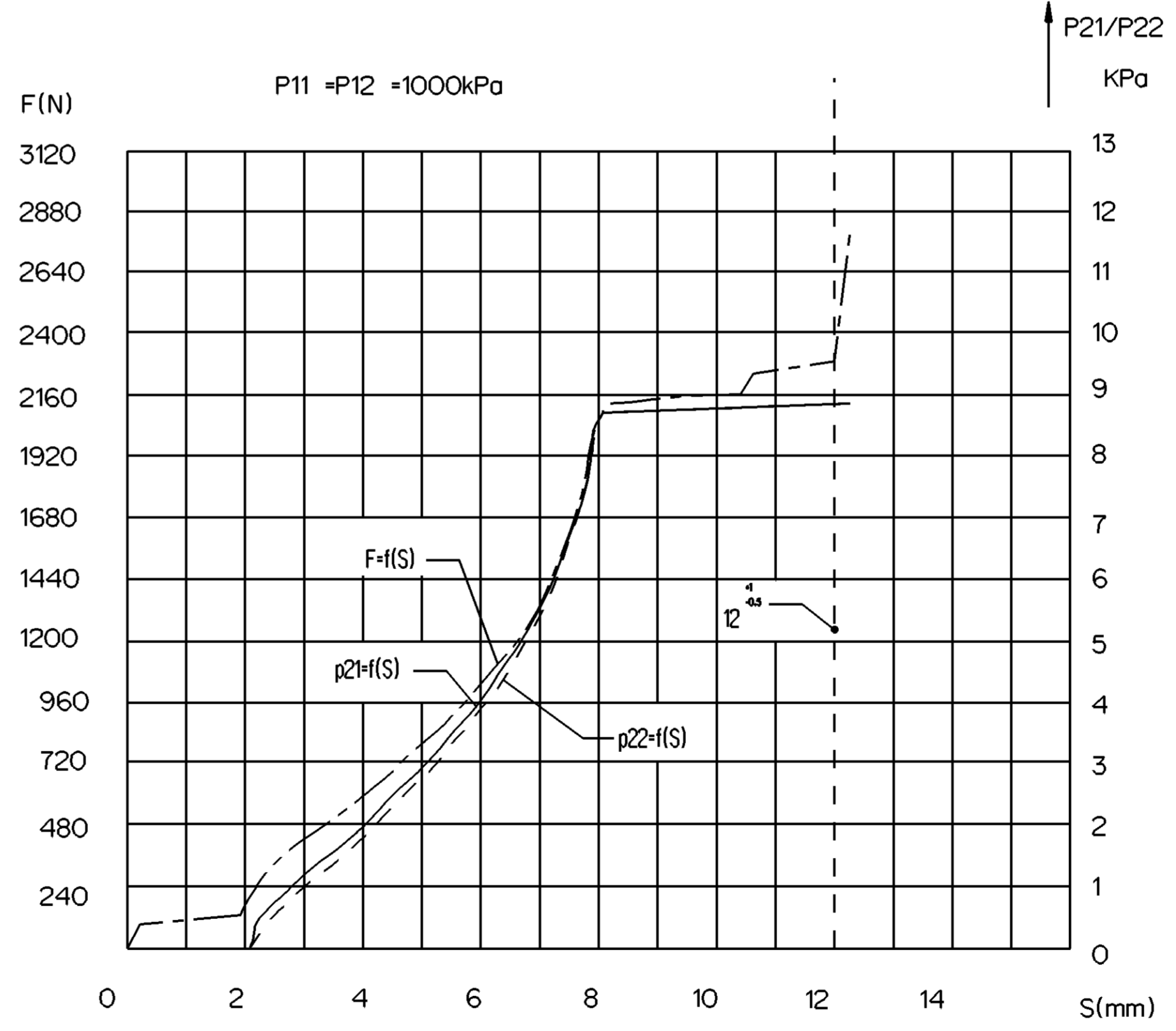
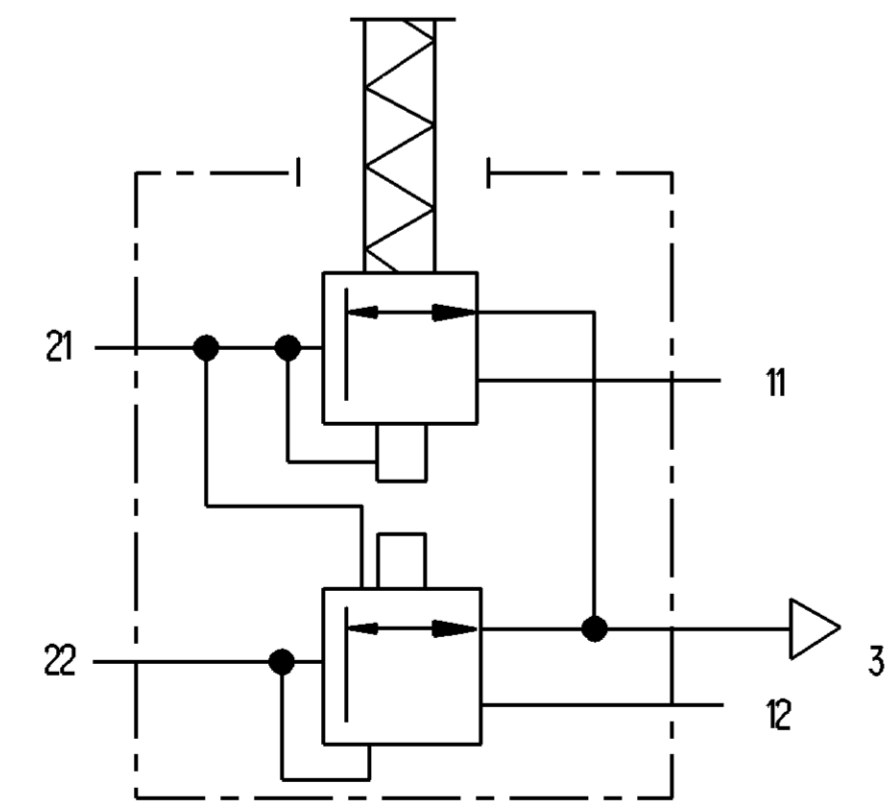
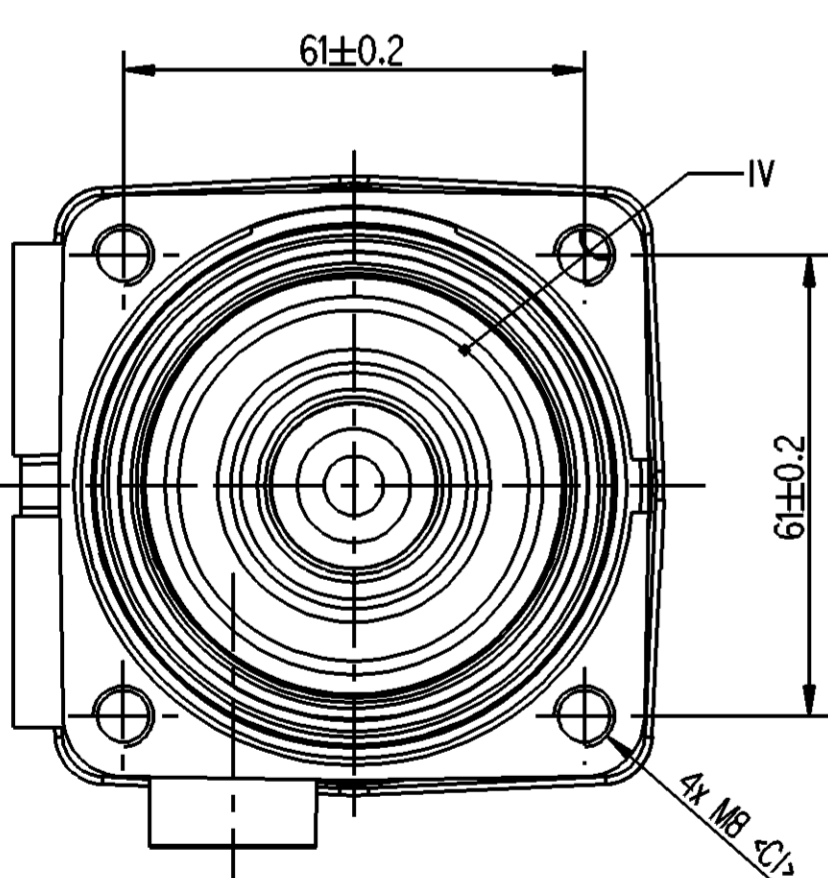
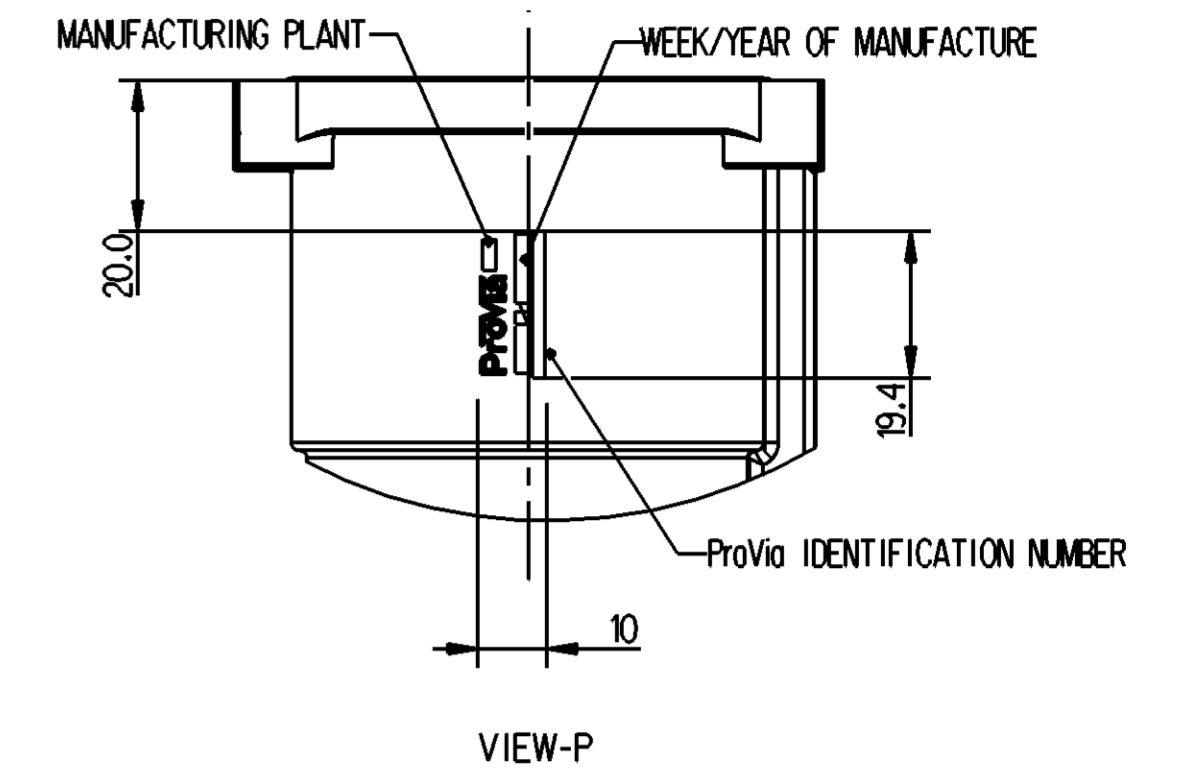
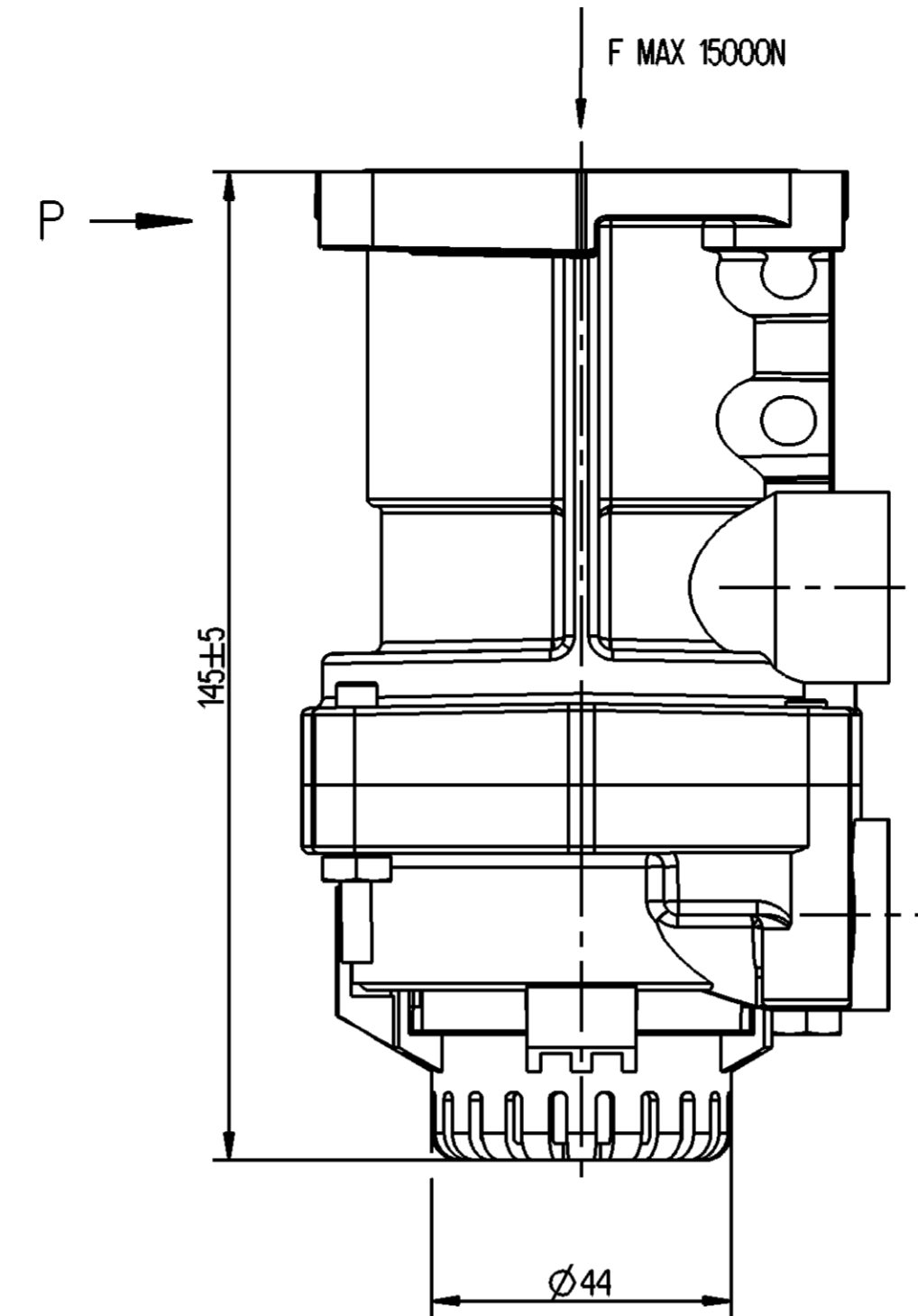
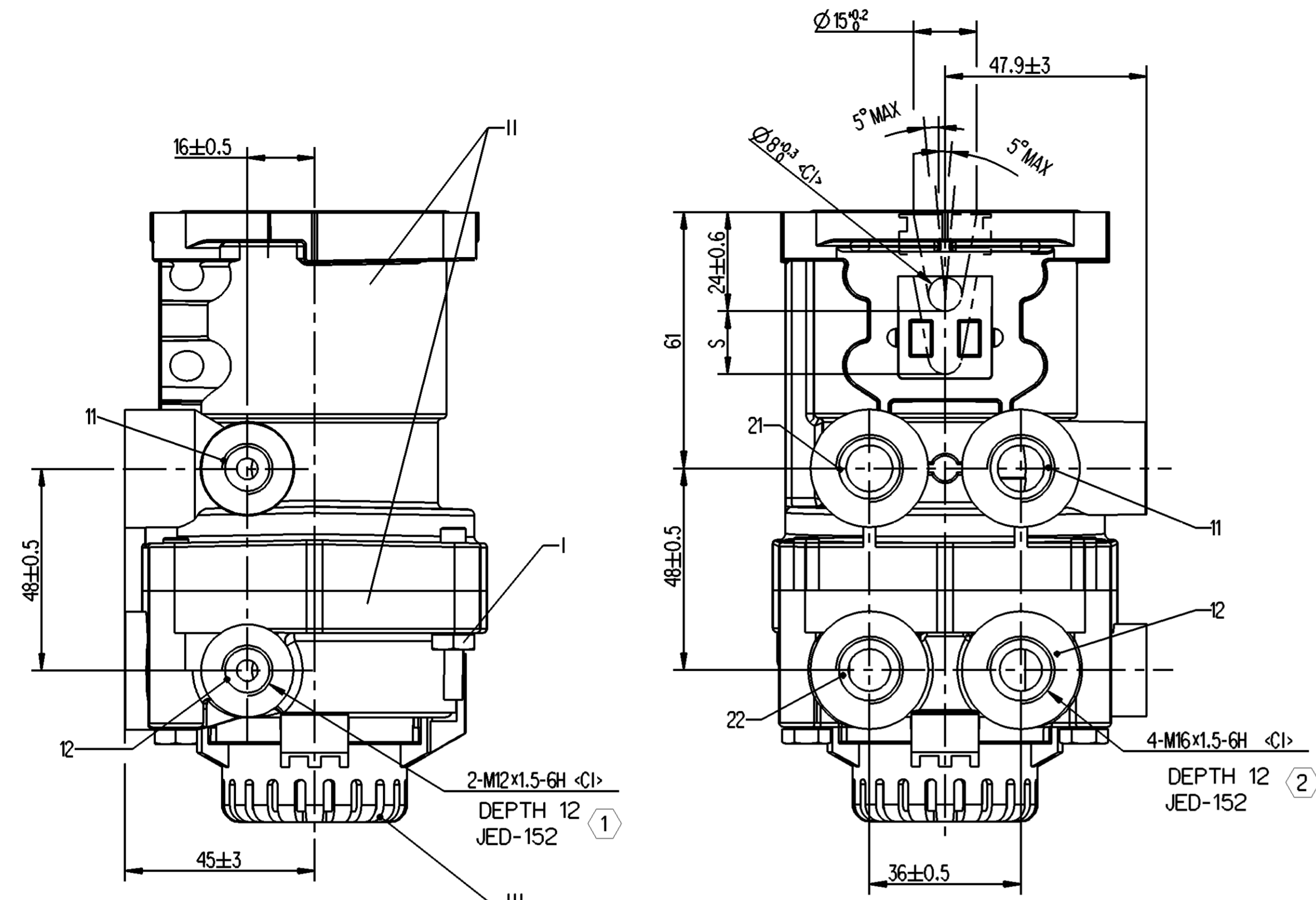


<P>	SAFETY CHARACTERISTICS	0
<S>	SIGNIFICANT CHARACTERISTICS	0
<CI>	CUSTOMER INTERFACE	4



AT FAILURE CIRCUIT 1: NECESSARY STROKE $S \geq 13$ mm
NECESSARY FORCE $F = 4100$ N

TECHNICAL DATA

S.No.	NOTES	
1	PRODUCT FUNCTION AND RELIABILITY	
2	WORKING MEDIUM	AIR
3	NORMAL WORKING PRESSURE	10 bar
4	MAXIMUM WORKING PRESSURE	12 bar
5	NOMINAL DIAMETER (78.5 mm sq)	$\varnothing 10$ mm
6	THERMAL RANGE OF APPLICATION	-40°C TO +80°C
7	NOISE LEVEL	≤ 82 dBA Δ
8	DEGREE OF PROTECTION	IP65

- ① TORQUE 21Nm MAX
- ② TORQUE 34Nm MAX

MATERIAL AND SURFACE PROTECTION

S.No.	MATERIAL	SURFACE PROTECTION
I	STEEL	ZINC PLATED
II	ALUMINIUM ALLOY	CHROMA TED
III	PLASTIC	NO TREATMENT
IV	RUBBER	NO TREATMENT

11/12 SUPPLY
21/22 OUTLET
3 EXHAUST

General Specifications: ISO 8015, JED-334-1, Size ISO H4405 LP
Further Technical Data: PRO 315 010 0
Doc. Code: 035 Sheet: 1 To 8

Copyright WABCO®
Date: 2022-09-28
Signature: Saravanan
Checked: Manivannan

PROVia
FOOT BRAKE VALVE

Material No.: PRO 315 012 0
Date of first issue: 2022-08-03
Doc. Code: Language: Sheet: 005 EN 1/1

Mass: 1.05 kg
Scale: 1:1
Size: CAD System

EDN No.: 512341
Revision: tx
A
5180_AM
Techn. Resp.

Dimensions in mm
Class 1) ≤ 50 ≤ 50 > 50 > 180 ≤ 180 ≤ 400 > 400 Δ
Fine ± 0.5 ± 1 ± 1.5 ± 2
Medium X ± 1 ± 2 ± 3 ± 4 ± 5
Coarse ± 2 ± 3.5 ± 5 ± 6.5
Tapped Holes acc. JED-152
1) Tolerance Class Applied Crossmarked

Non è permesso copiare o riprodurre questo documento, né utilizzare il contenuto o riprodurre comunque (in toto o in parte) senza permesso scritto dalla WABCO. È vietata espressamente la ristampa o l'uso non autorizzato. Toute réimpression ou reproduction de ce document, sans autorisation écrite de la WABCO, est formellement interdite. Toute utilisation non autorisée des données contenues dans ce document est formellement interdite. All rights reserved. No part of this document may be reproduced or transmitted in any form or by any means electronic or mechanical, including photocopying and recording, or by any information storage or retrieval system, without prior written permission from WABCO. Copyright of this document and giving it to others and the use or communication of the contents thereof, are forbidden without express written permission from WABCO. All rights reserved. In the event of the grant of a patent or registration of a utility model or design, this document is the subject of copyright.