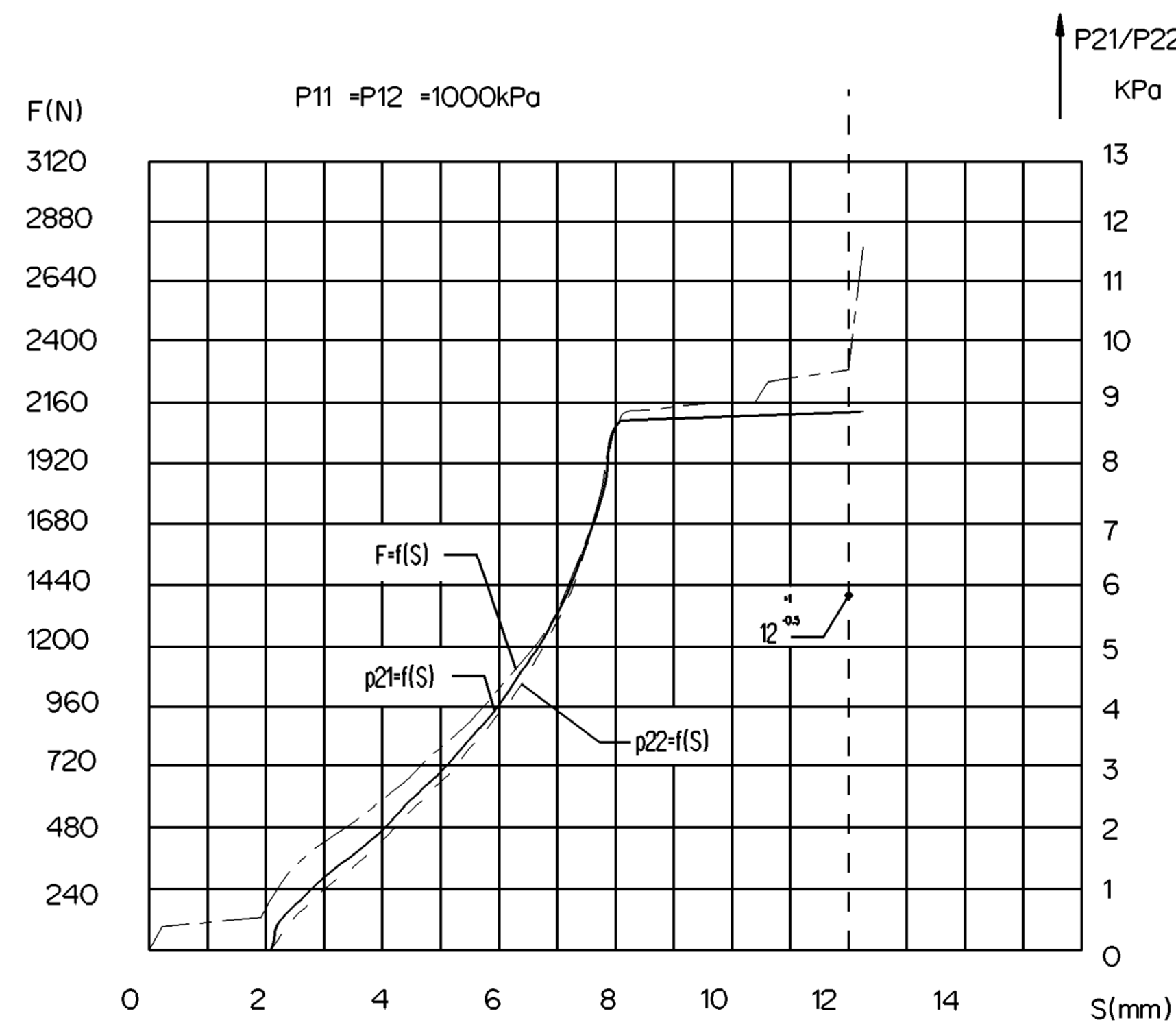
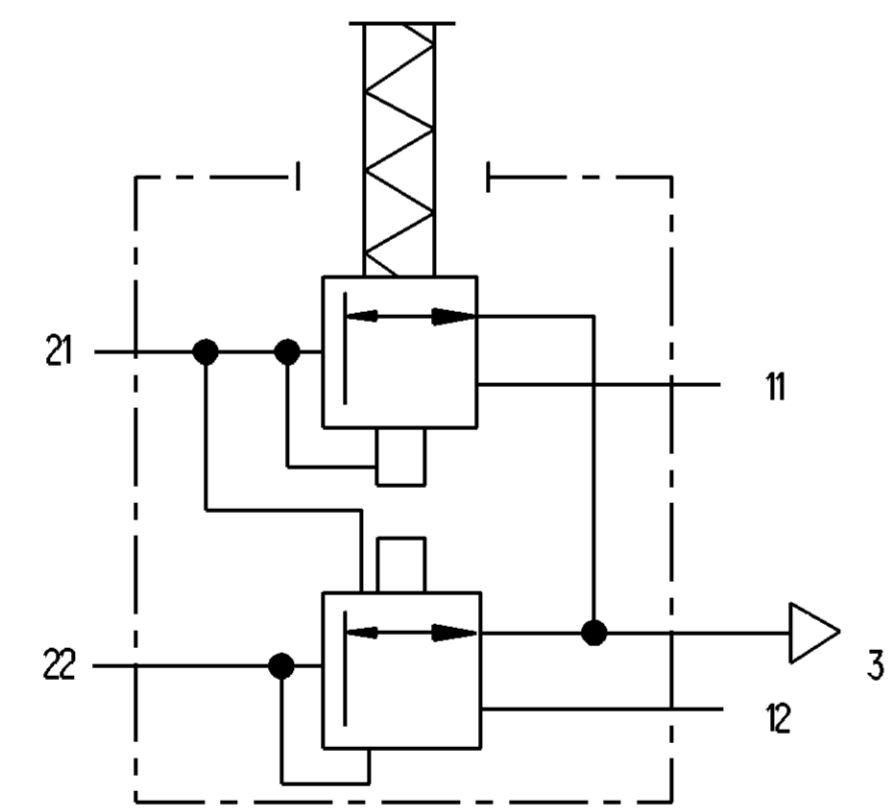
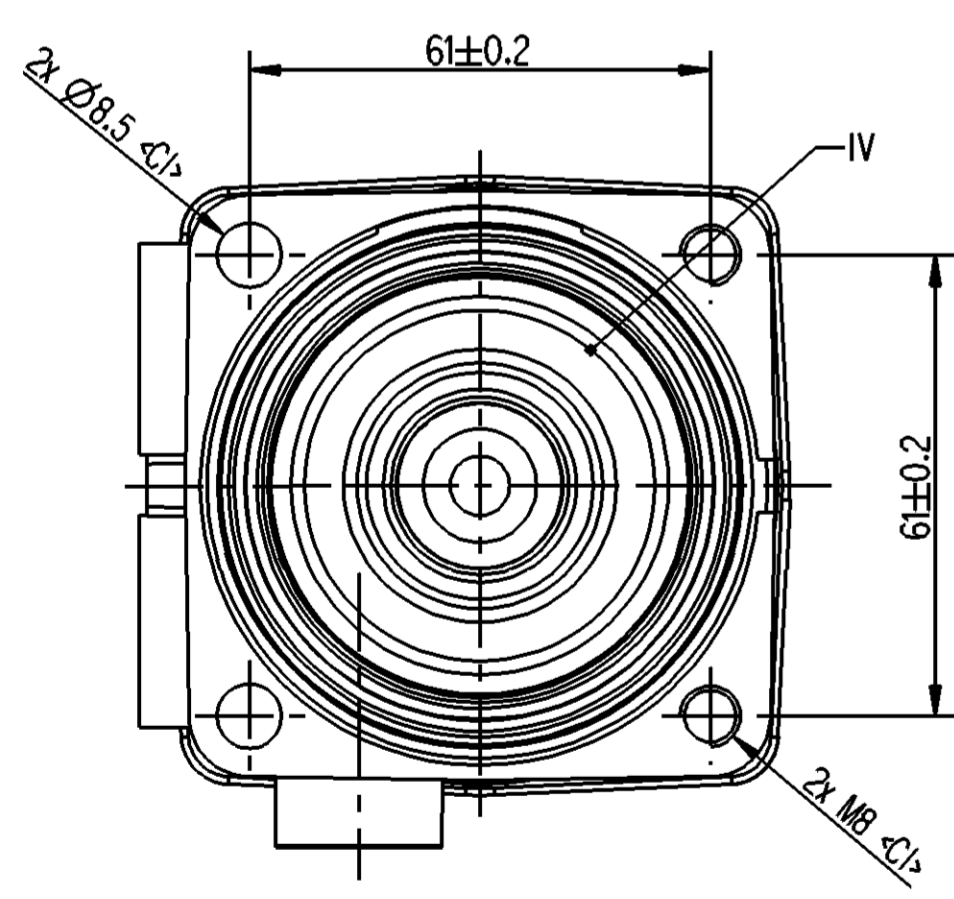
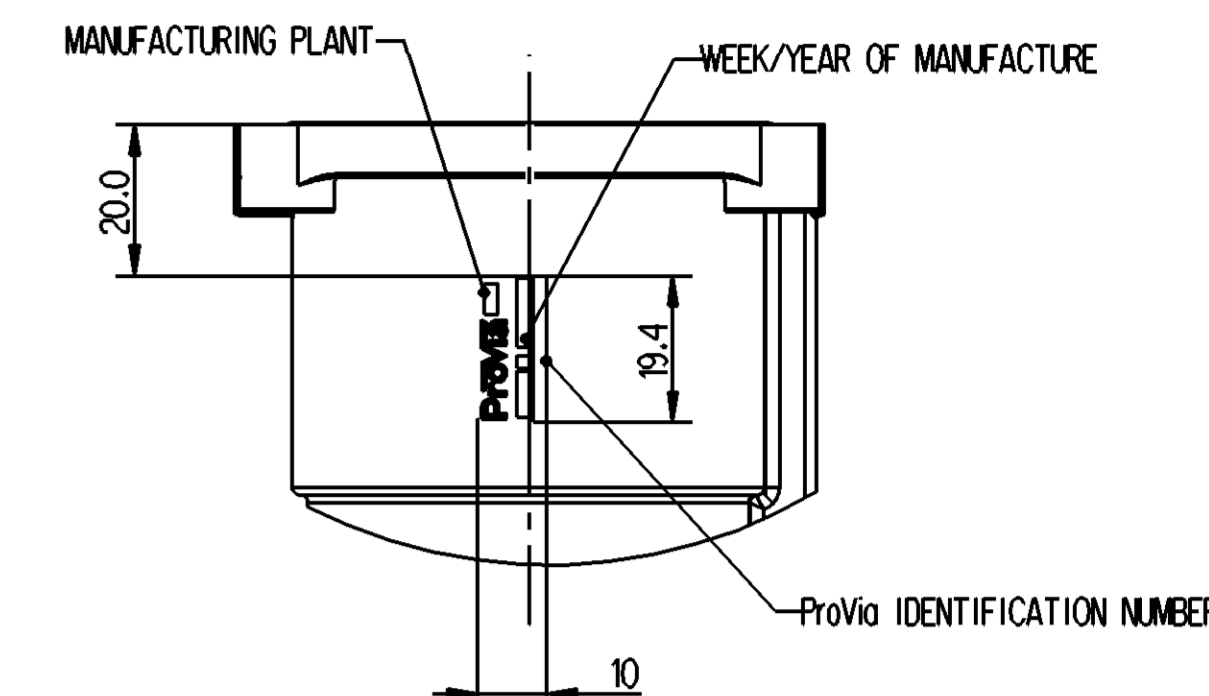
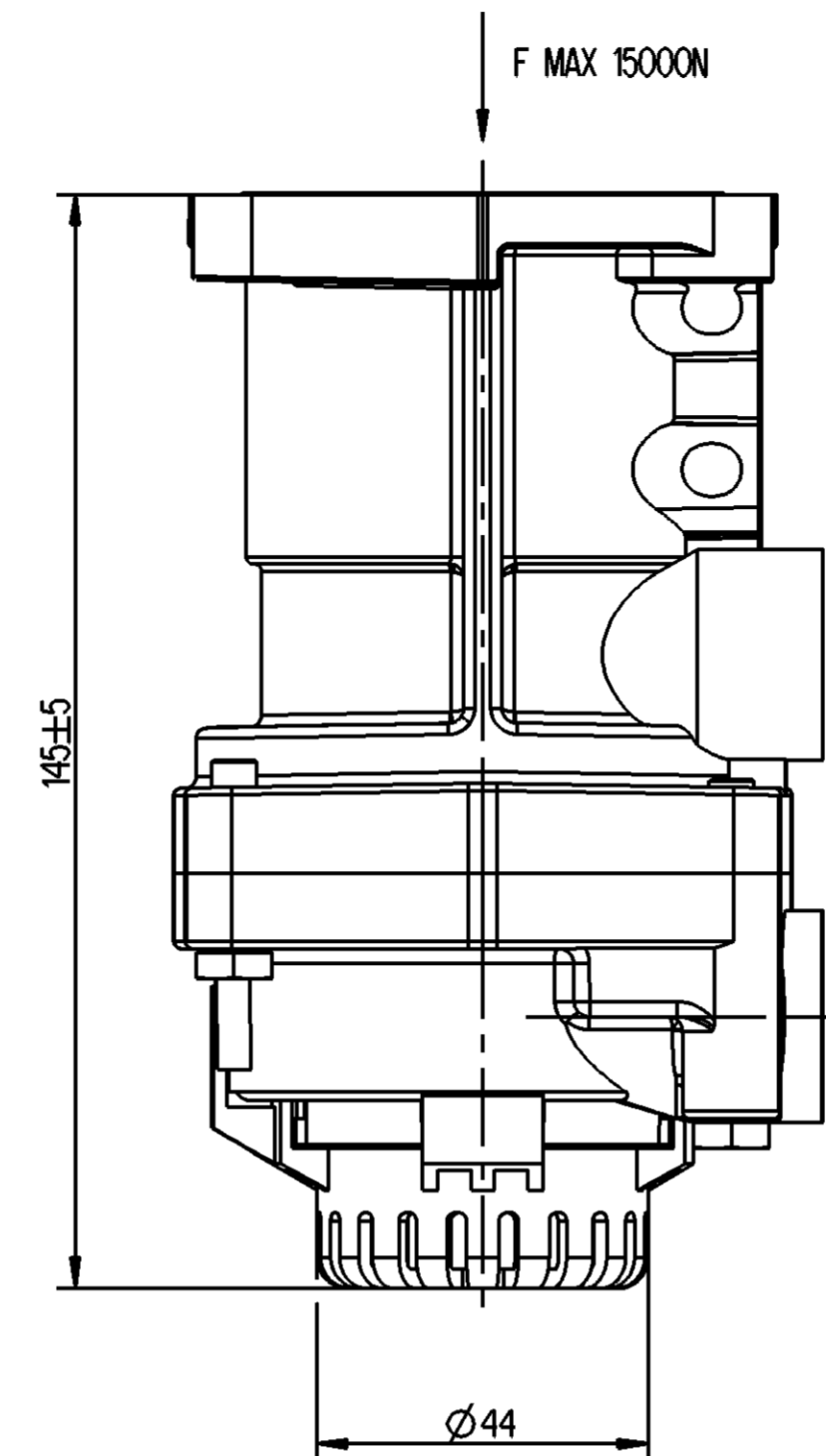
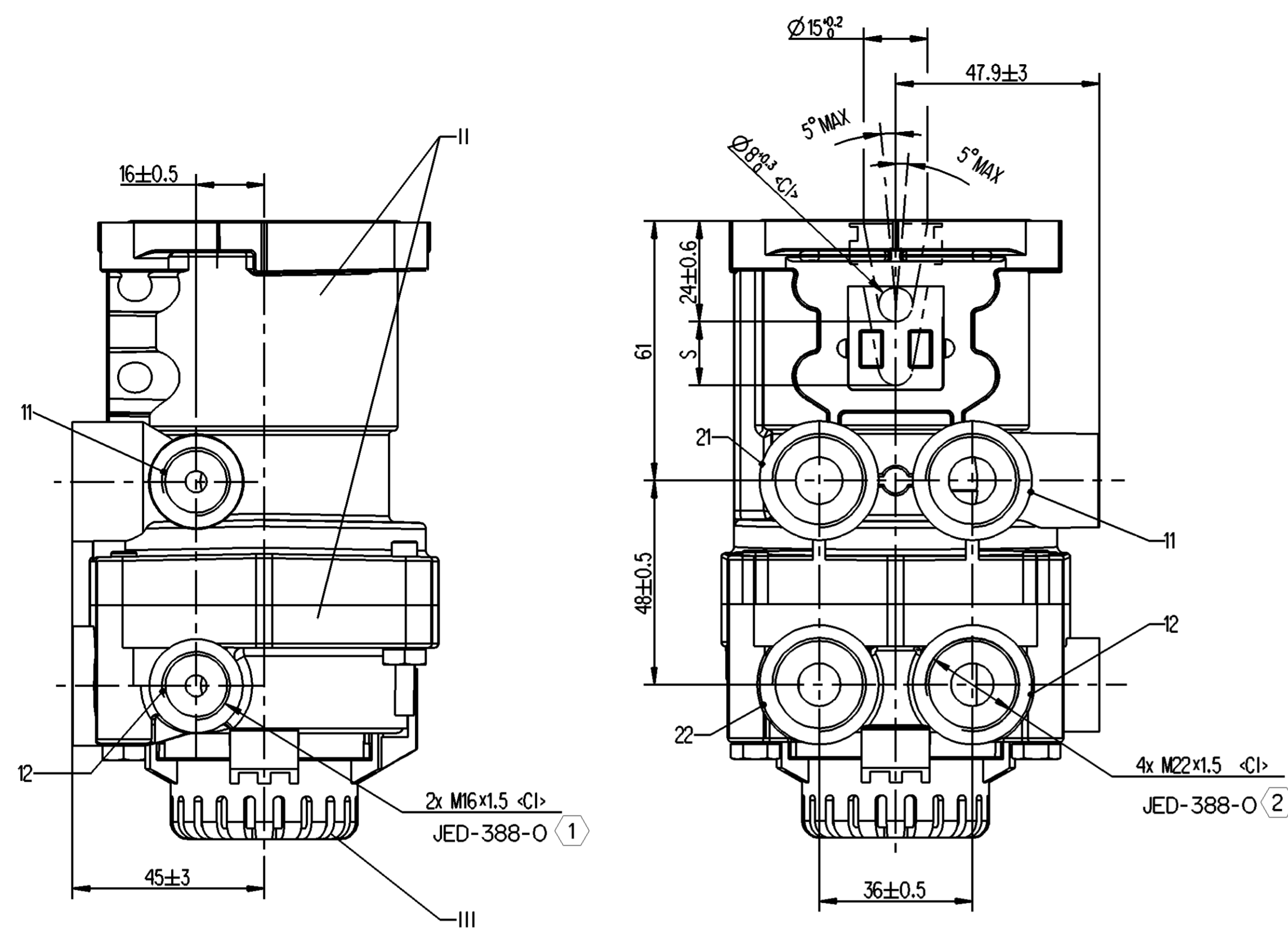


<I> SAFETY CHARACTERISTICS	0
<II> SIGNIFICANT CHARACTERISTICS	0
<CI> CUSTOMER INTERFACE	5



TECHNICAL DATA		
S.No.	NOTES	
1	PRODUCT FUNCTION AND RELIABILITY	
2	WORKING MEDIUM	AIR
3	NORMAL WORKING PRESSURE	10 bar
4	MAXIMUM WORKING PRESSURE	12 bar
5	NOMINAL DIAMETER (78.5 mm sq)	Ø10 mm
6	THERMAL RANGE OF APPLICATION	-40°C TO +80°C
7	NOISE LEVEL	≤82 dBA Δ
8	DEGREE OF PROTECTION	IP65

- (1) TORQUE 34Nm MAX
- (2) TORQUE 53Nm MAX

AT FAILURE CIRCUIT 1: NECESSARY STROKE $S \geq 13$ mm
NECESSARY FORCE $F = 4100$ N

- 11/12 SUPPLY
- 21/22 OUTLET
- 3 EXHAUST

MATERIAL AND SURFACE PROTECTION

S.No.	MATERIAL	SURFACE PROTECTION
I	STEEL	ZINC PLATED
II	ALUMINIUM ALLOY	CHROMA TED
III	PLASTIC	NO TREATMENT
IV	RUBBER	NO TREATMENT

General Specifications: ISO 8015, JED-334-1, Size ISO 14405 LP
Further Technical Data: PRO 315 O13 O

Doc. Code: O35 Sheet: 1 To 8

Copyright WABCO®
Date: 2022-09-29
Signature: Saravanan
2022-10-06
Checked: Manivannan

ProVia
FOOT BRAKE VALVE

Material No.: PRO 315 O13 O
Date of first issue: 2022-07-28

Mass: 1.05 kg
Scale: 1:1
Dimensions in mm: 100mm

EDN No.: 512341
Revision: tx
Tech. Resp.: A
5180_AM

Doc. Code: Language: Sheet: 005 EN 1/1

Non è permesso copiare o riprodurre questo documento, né utilizzare il contenuto o i materiali contenuti in esso, senza permesso scritto dalla WABCO. È vietata espressamente la ristampa o l'uso non autorizzato. Toute réimpression ou utilisation non autorisée sans la permission écrite de la WABCO est formellement interdite. Toute réimpression ou utilisation non autorisée sans la permission écrite de la WABCO est formellement interdite. All rights reserved. No part of this document may be reproduced, stored in a retrieval system, or transmitted, in any form or by any means, electronic, mechanical, photocopying, recording, or by any information storage and retrieval system, without the prior written permission of WABCO. All rights reserved. No part of this document may be reproduced, stored in a retrieval system, or transmitted, in any form or by any means, electronic, mechanical, photocopying, recording, or by any information storage and retrieval system, without the prior written permission of WABCO.