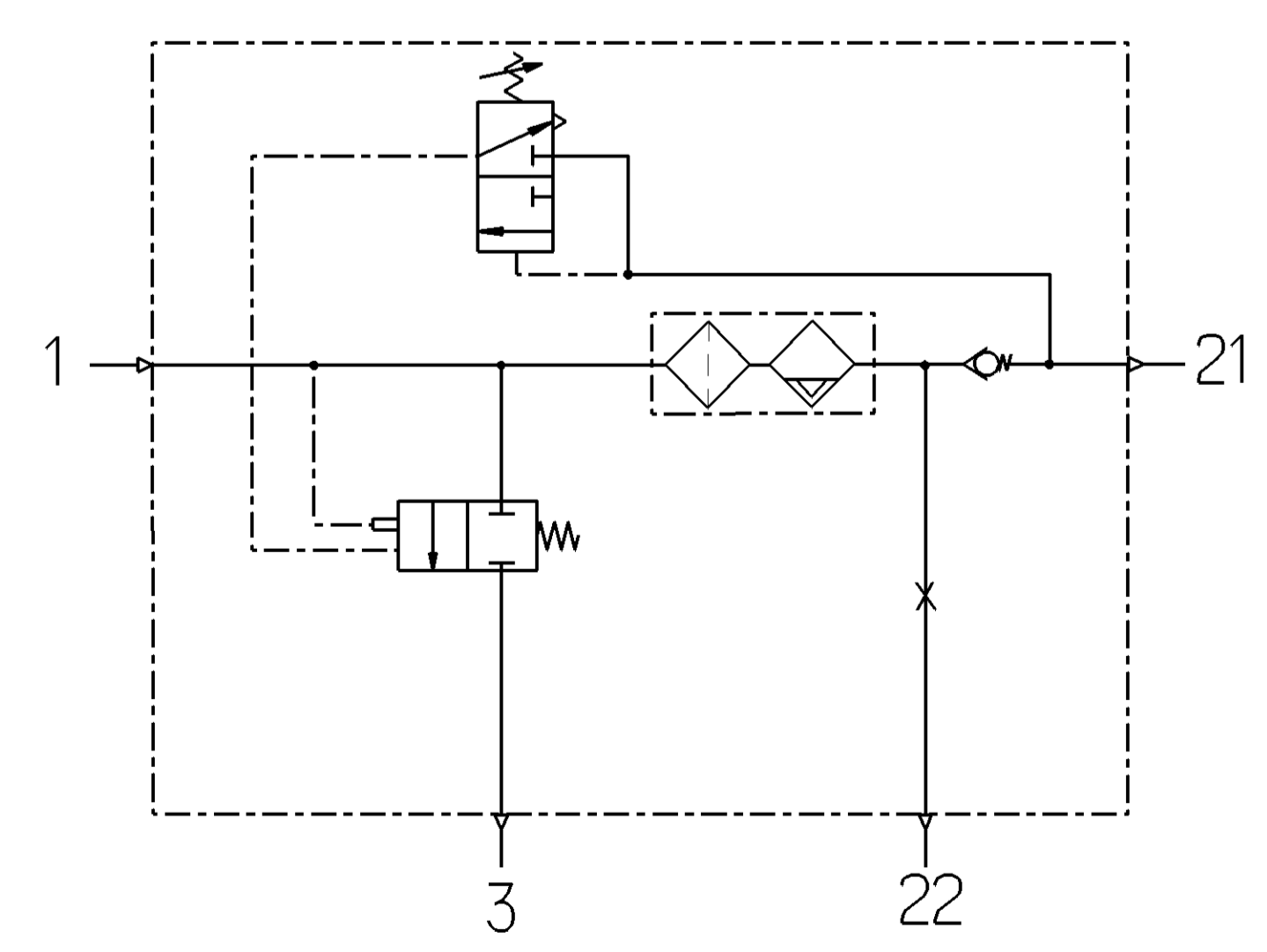
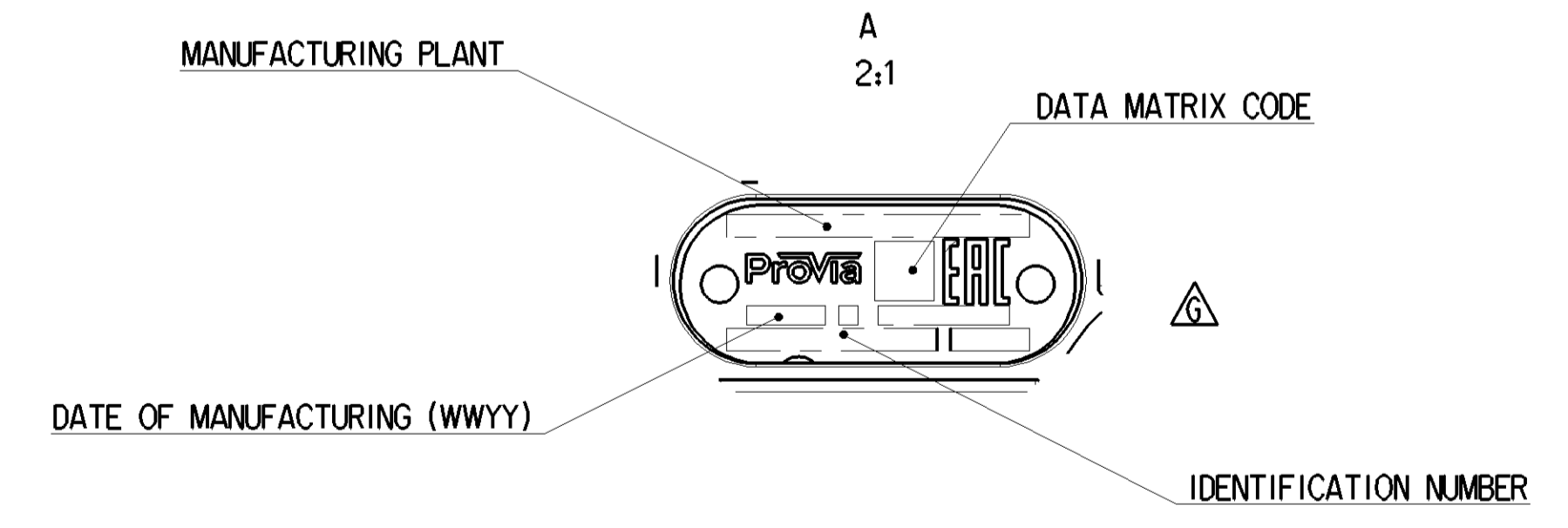
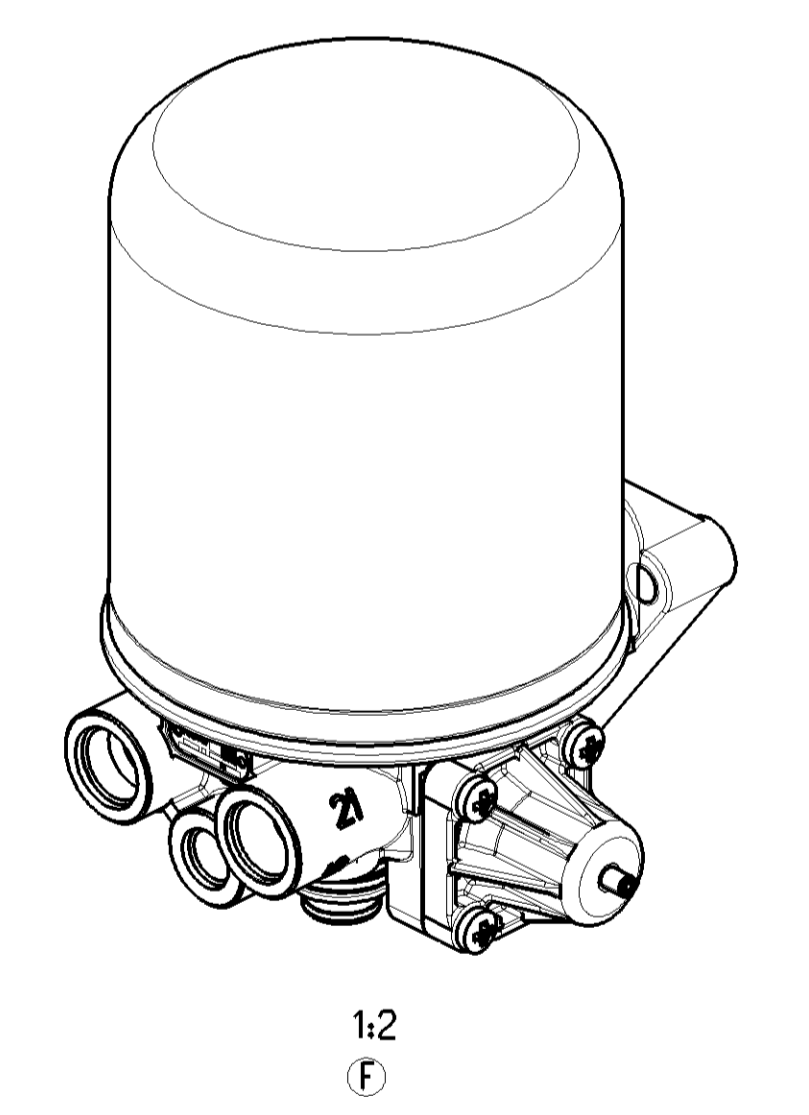
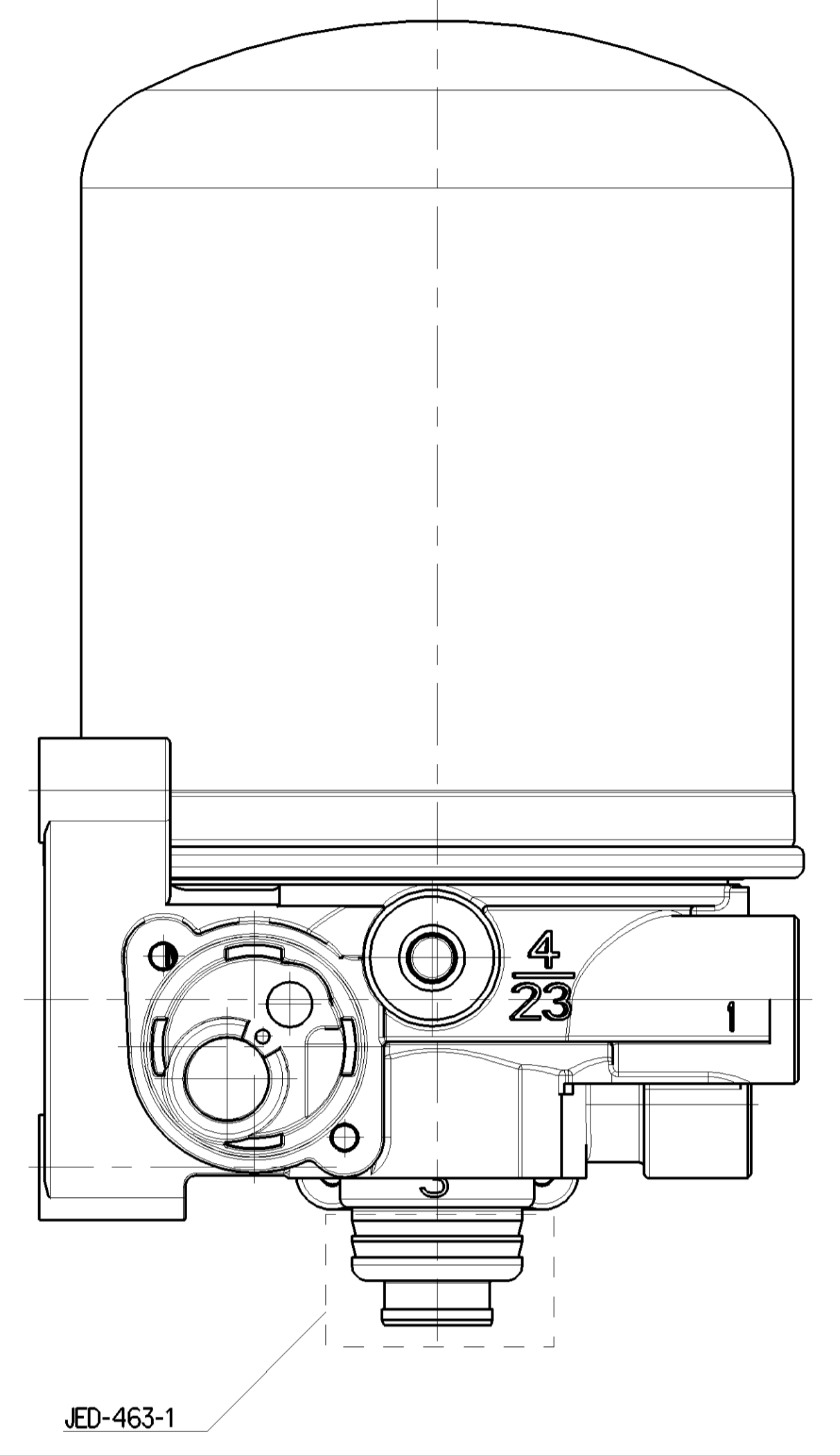
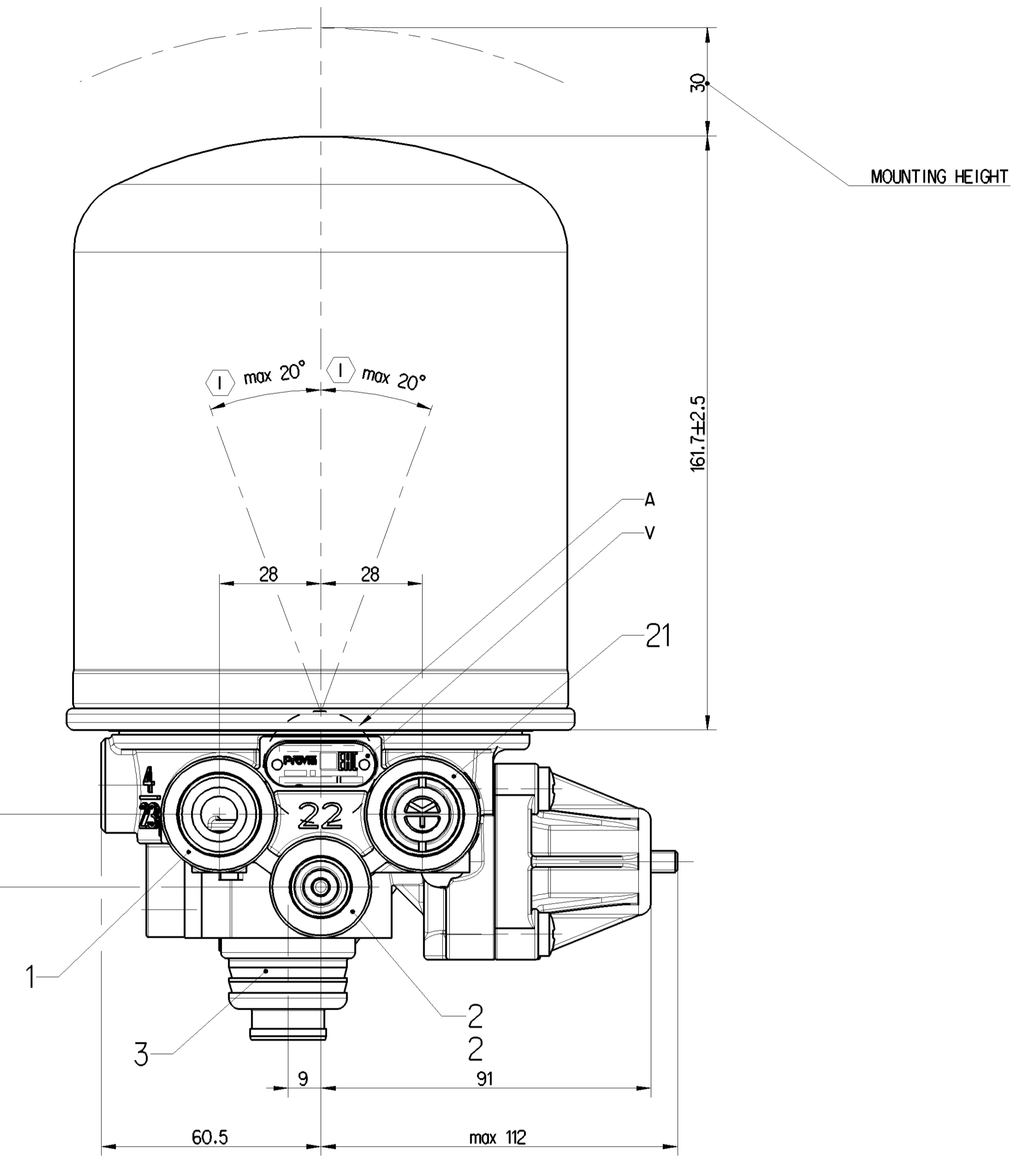
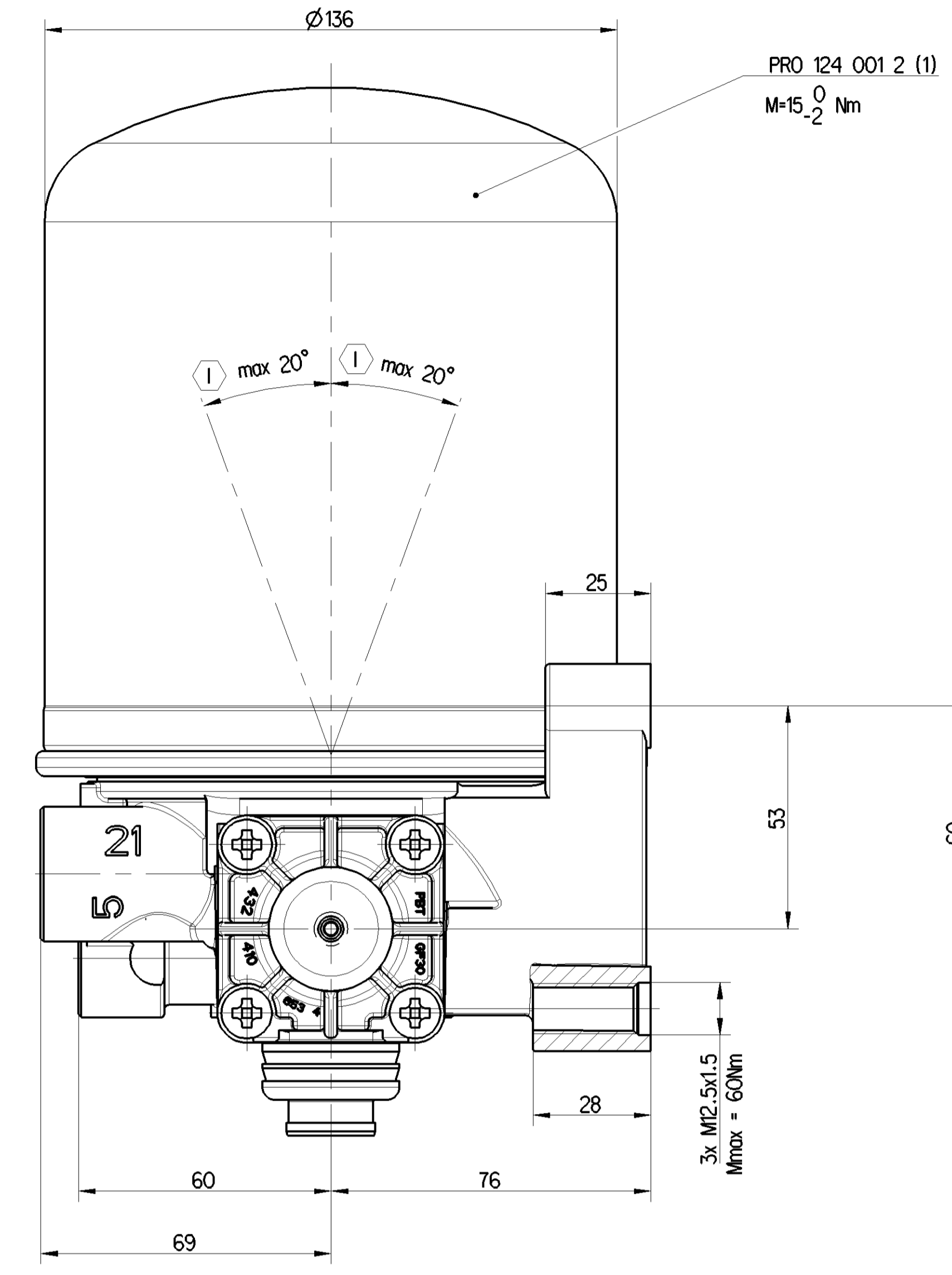
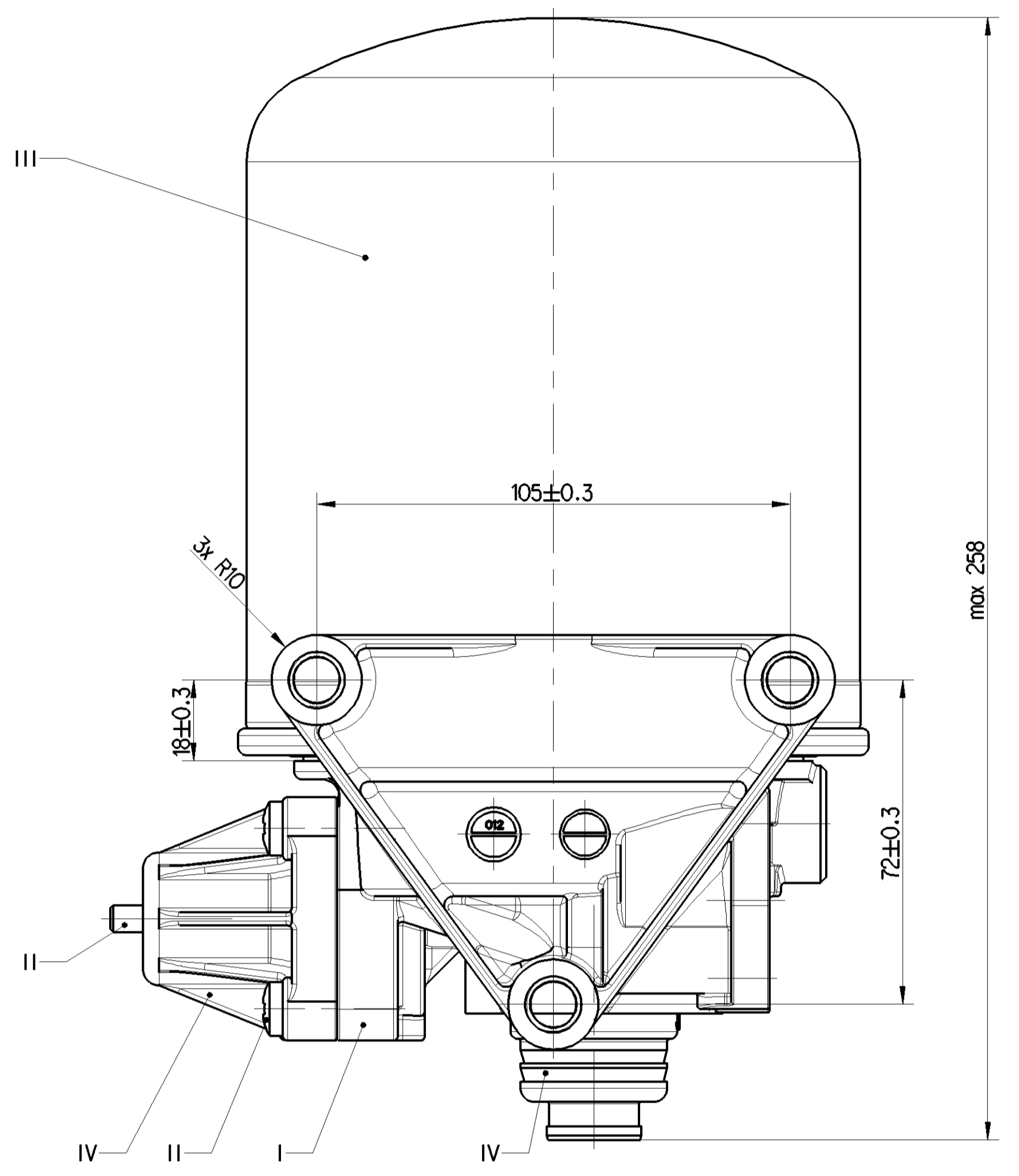


EXTERNAL SURFACE	
I	JED-259-3
II	JED-256-1 OR JED-256-3
III	JED-471-0
IV	PLASTIC/KUNSTSTOFF
V	JED-007-1



PORT	FUNCTION	THREAD
1	FROM THE COMPRESSOR	M22x1.5 JED-388
21	TO THE RESERVOIRS	M22x1.5 JED-388
22	TO THE RESERVOIRS FOR REGENERATED AIR	M16x1.5 JED-388
3	EXHAUST FOR COMPRESSED AIR	-

**TECHNICAL DATA:**

**THERMAL RANGE OF CONTINUOUS APPLICATION:** -40°C... +65°C

**RESISTANCE TO HEAT:** +90°C MAX

**MEDIUM:** COMPRESSED AIR

**WORKING PRESSURE:** P<sub>a</sub> MAX+13 bar

**MAX. PERMISSIBLE FREQUENCY:** 50 Hz

**MAX. PERMISSIBLE ACCELERATION:** ±10x g

**COMBINED UNLOADER:**

**CUT OUT PRESSURE:** 12.5±0.3 bar

**DYNAMIC PRESSURE OF SAFETY VALVE:** 15<sup>+6</sup><sub>0</sub> bar (BEI Vn=100dm<sup>3</sup>/min.)

**OPERATING RANGE:** 1.5 ±0.5 bar

**TORQUES FOR CONNECTIONS:**

M12x1.5: Mmax = 21 Nm  
M16x1.5: Mmax = 34 Nm  
M22x1.5: Mmax = 53 Nm

① INSTALLATION POSITION AS DRAWN

General Specification: ISO 8434, JED-354-1, Size (5) 14410 LP		Copyright: 2022-07-05		ProVia	
Further Technical Data: Product specification		Date: 2022-07-05		AIR DRYER	
Doc. Code: 035		Sheet: 1 To 4		Revision: 005	
General Tolerances: ISO 2011		2022-07-05		EN 1/1	
Range of Nominal Dimensions (d in mm)		Dimensions in mm		Medium No.	
Class	h1	h2	h3	h4	h5
Fine	±0.05	±0.10	±0.15	±0.2	±0.3
Medium	±0.1	±0.2	±0.3	±0.4	±0.5
Course	±0.2	±0.3	±0.4	±0.5	±0.6
Tapped holes acc.:		3.50		PRO 410 001 O	
		A 0		2 x G 5000 AM	