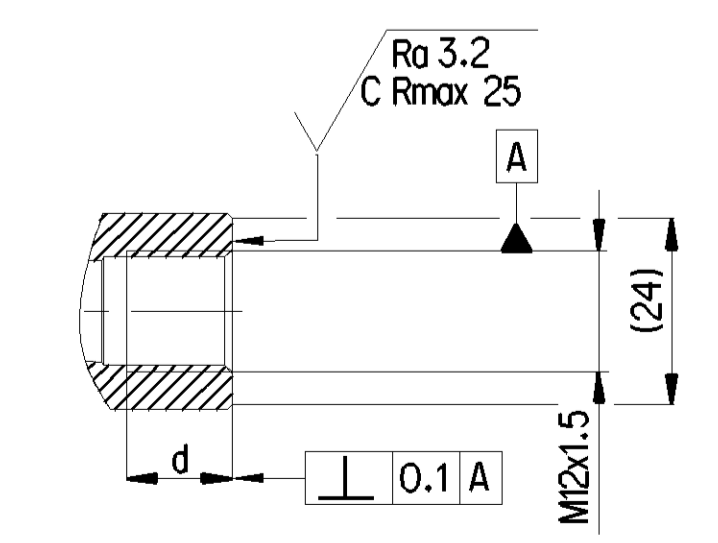
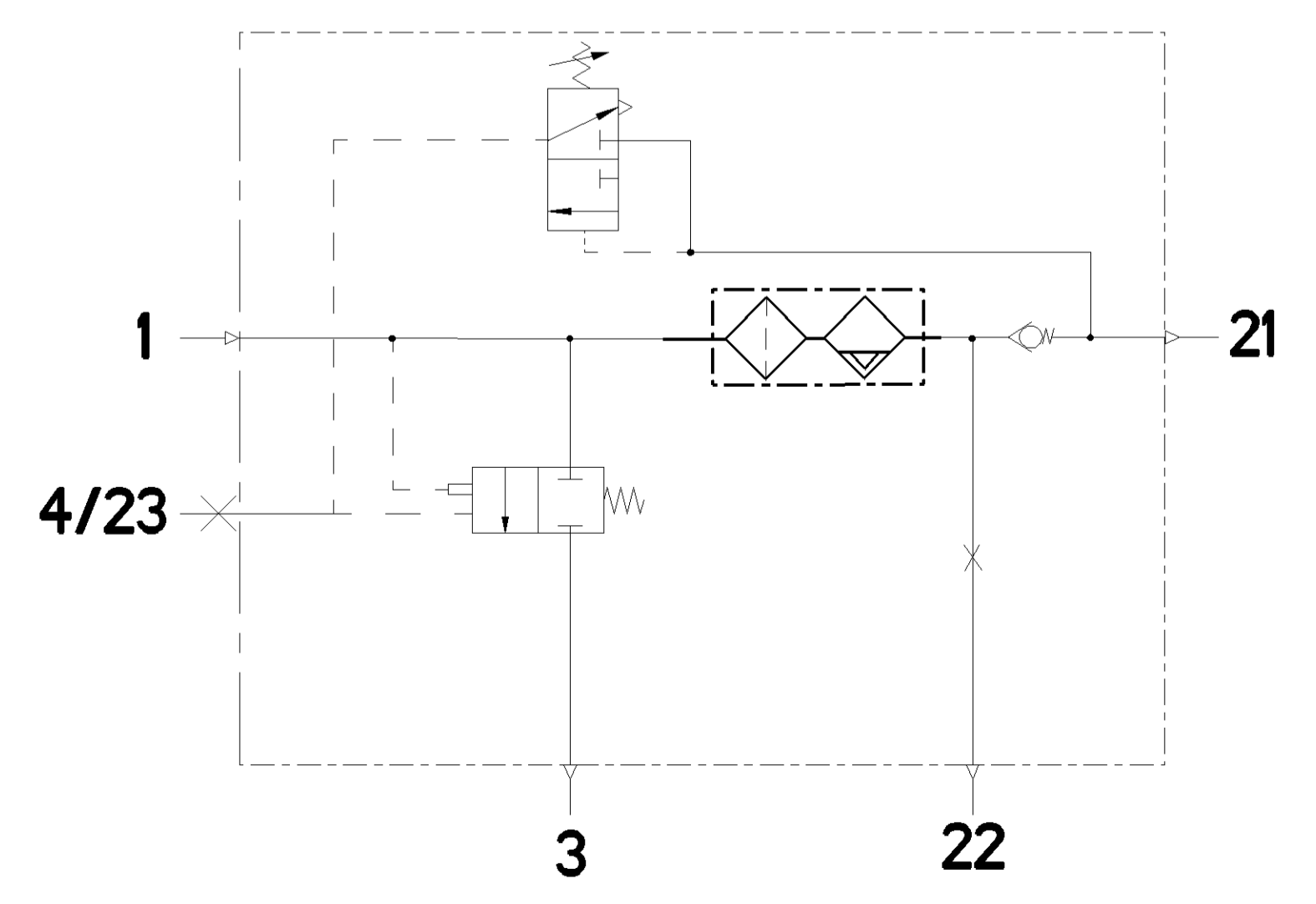
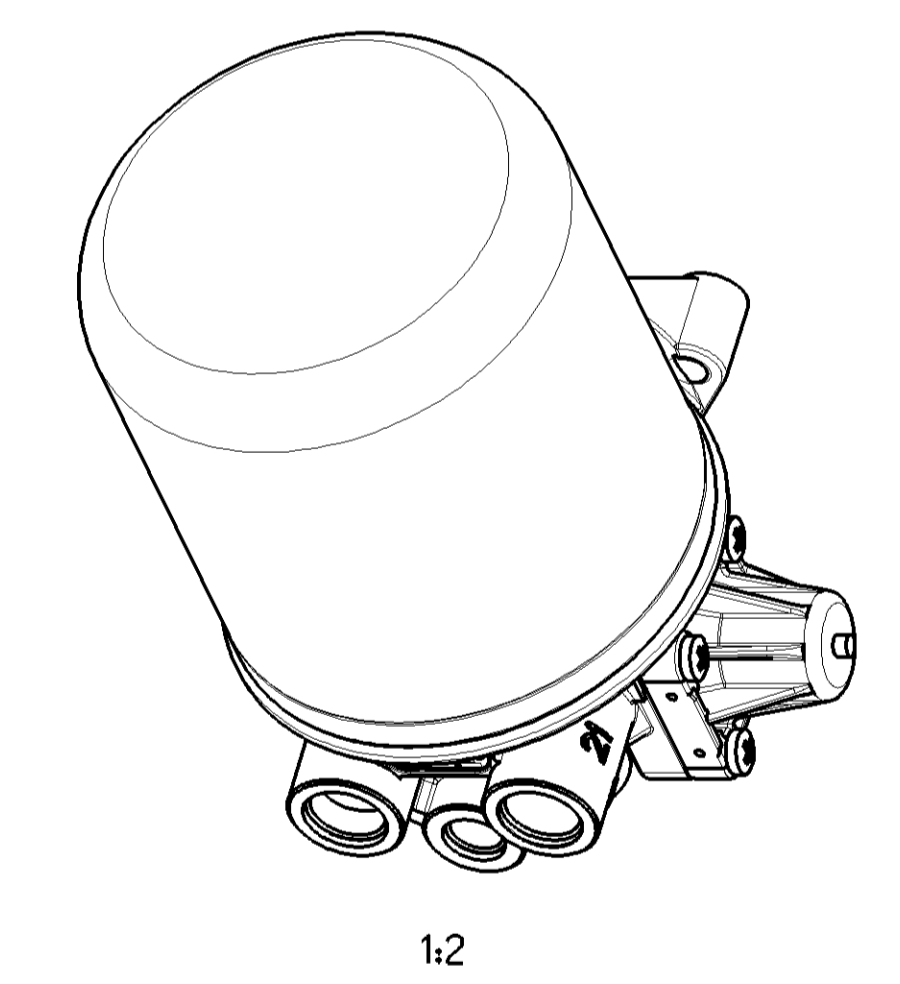
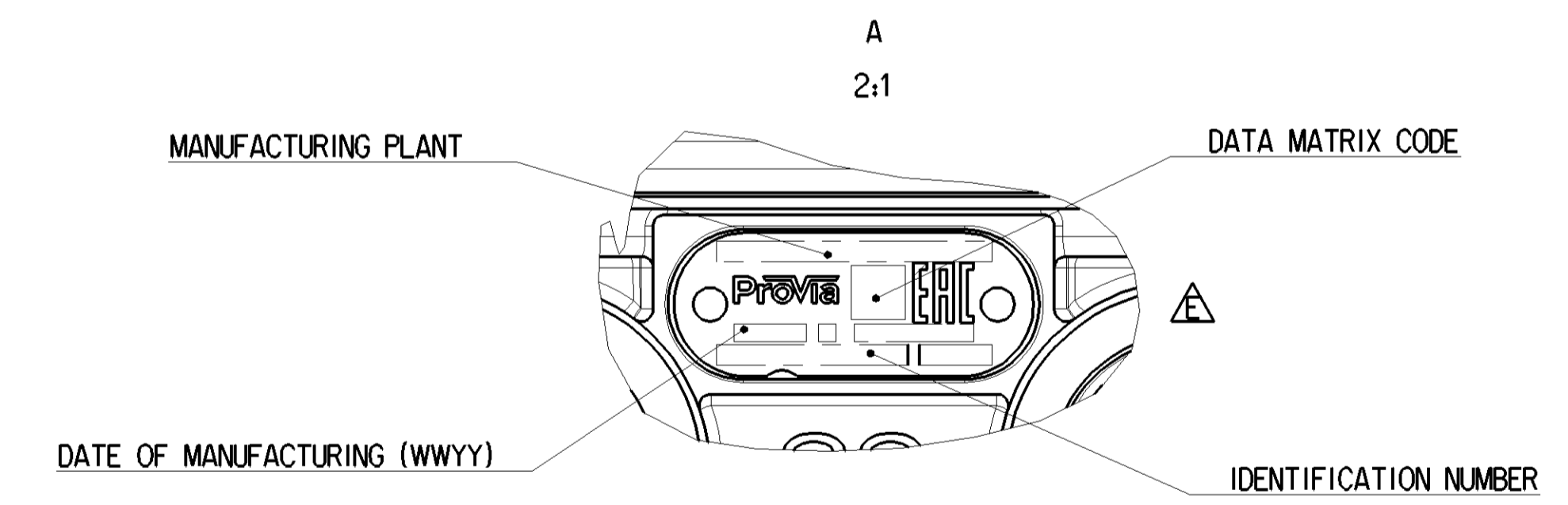
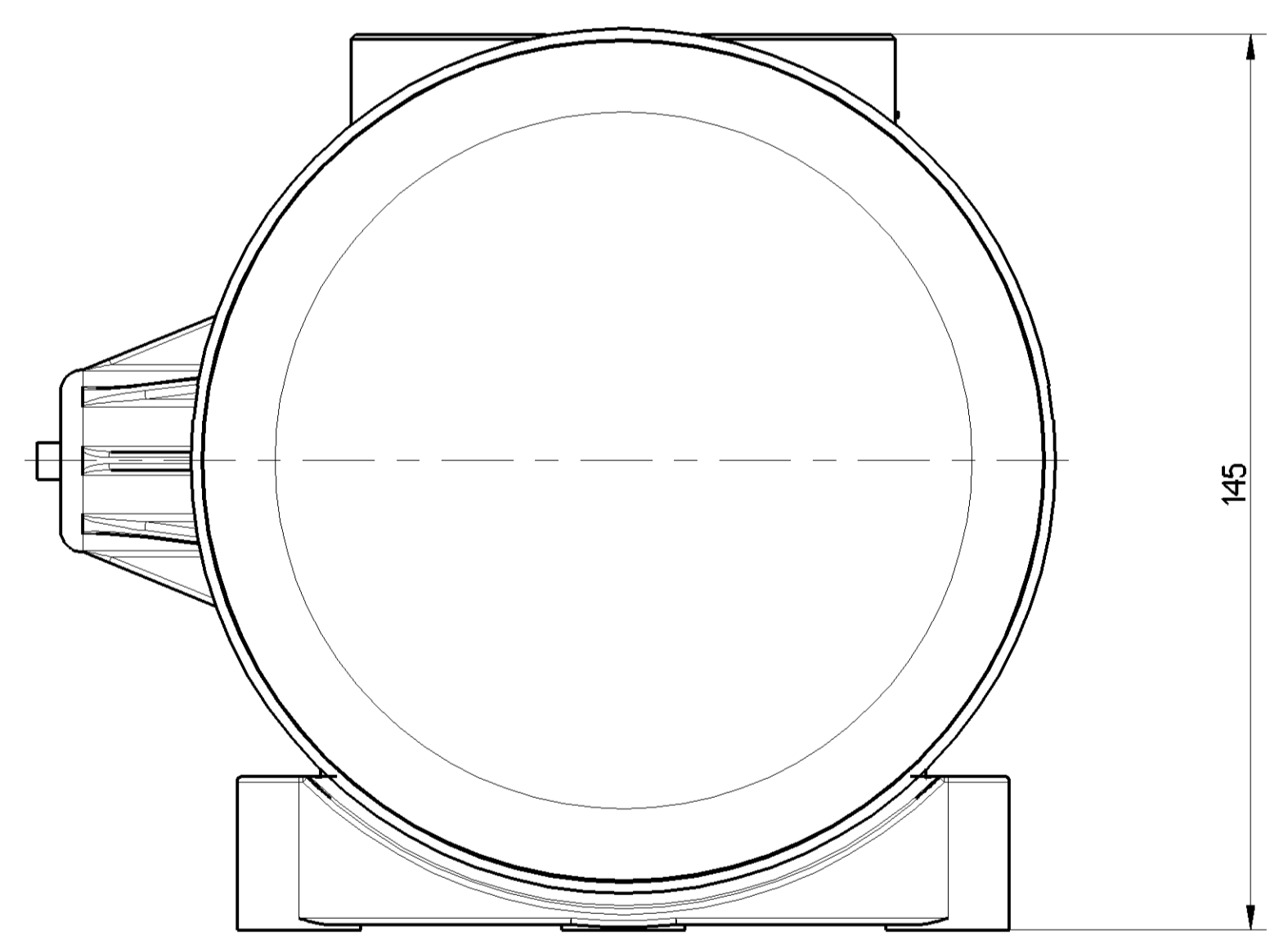
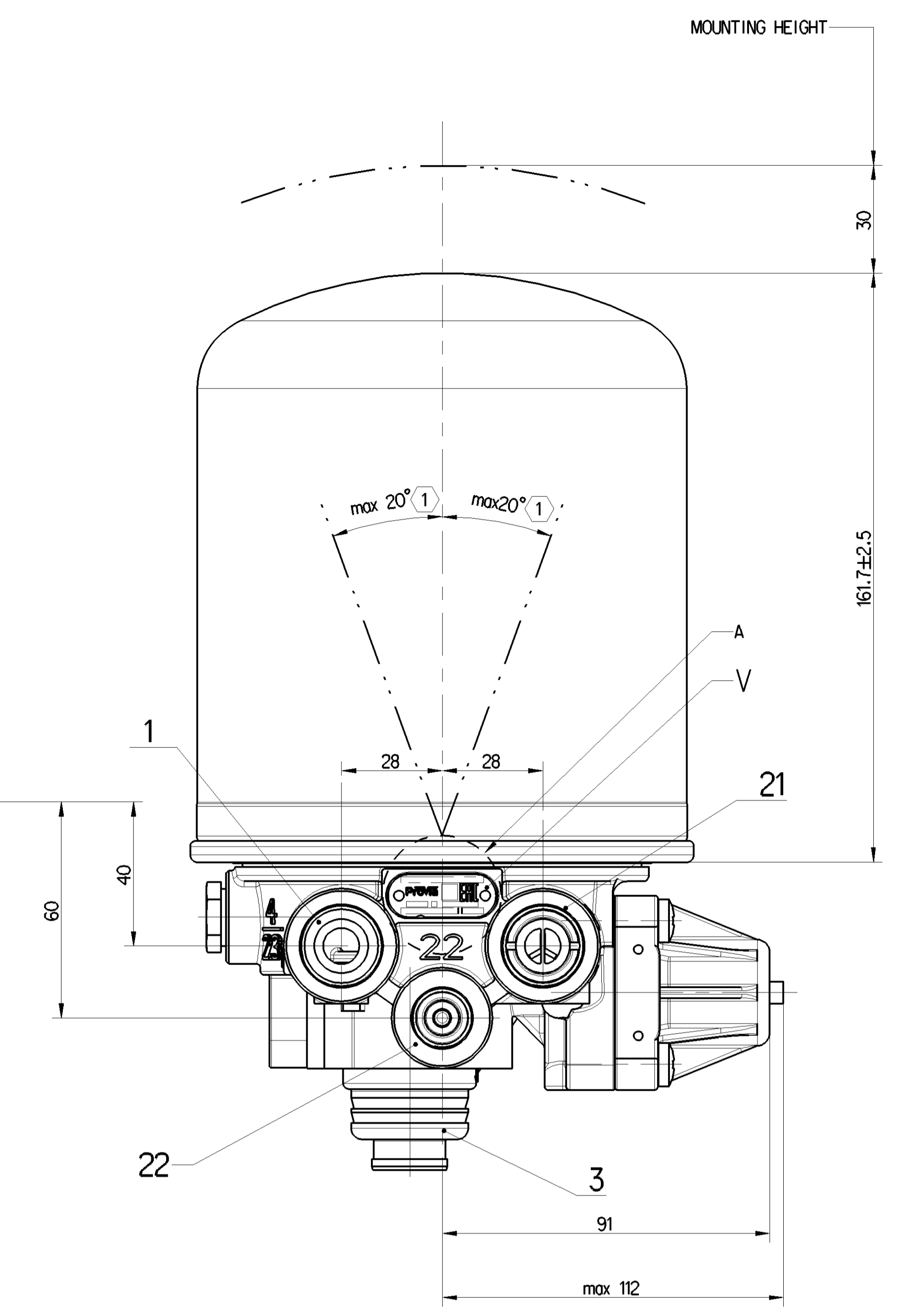
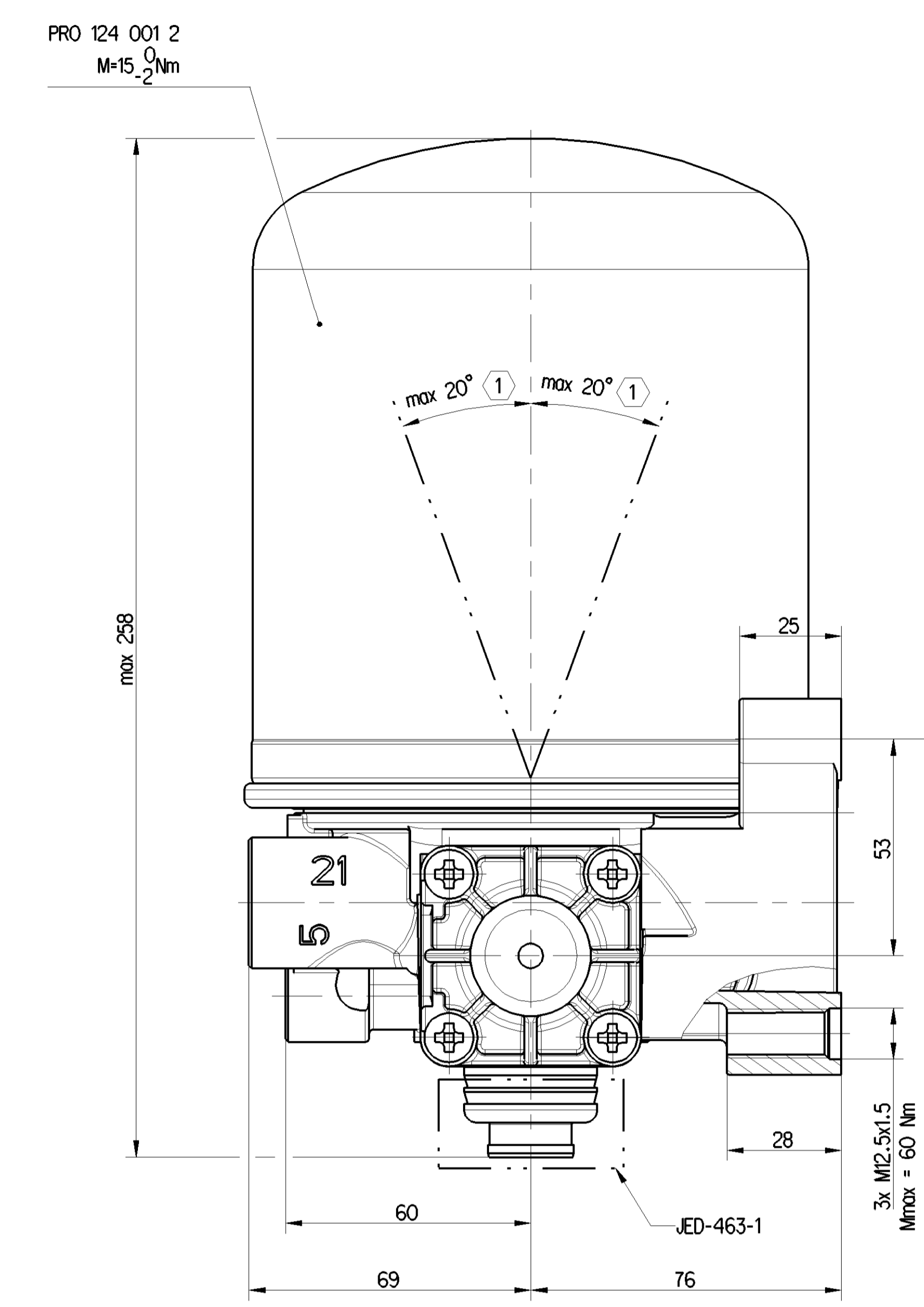
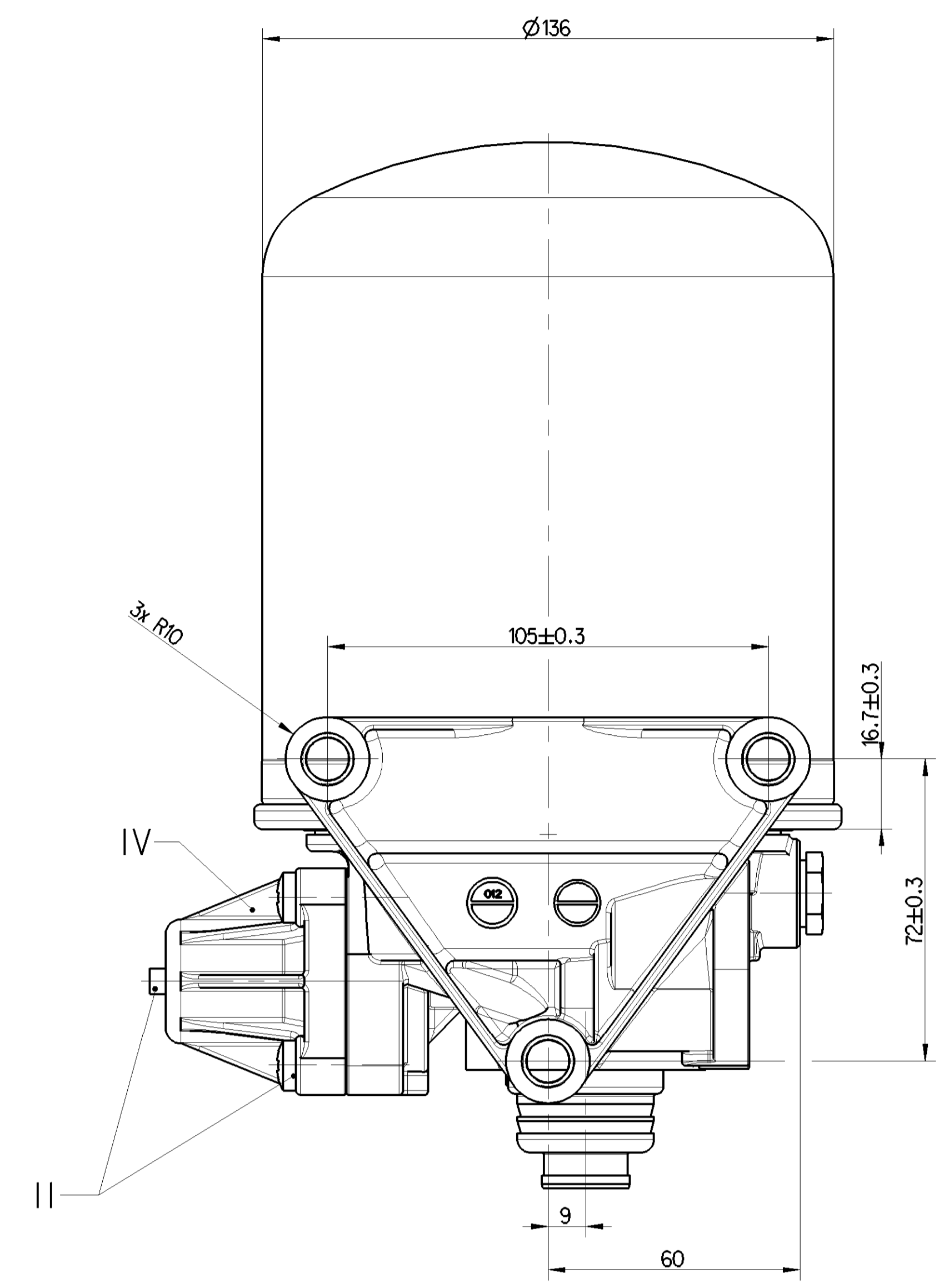
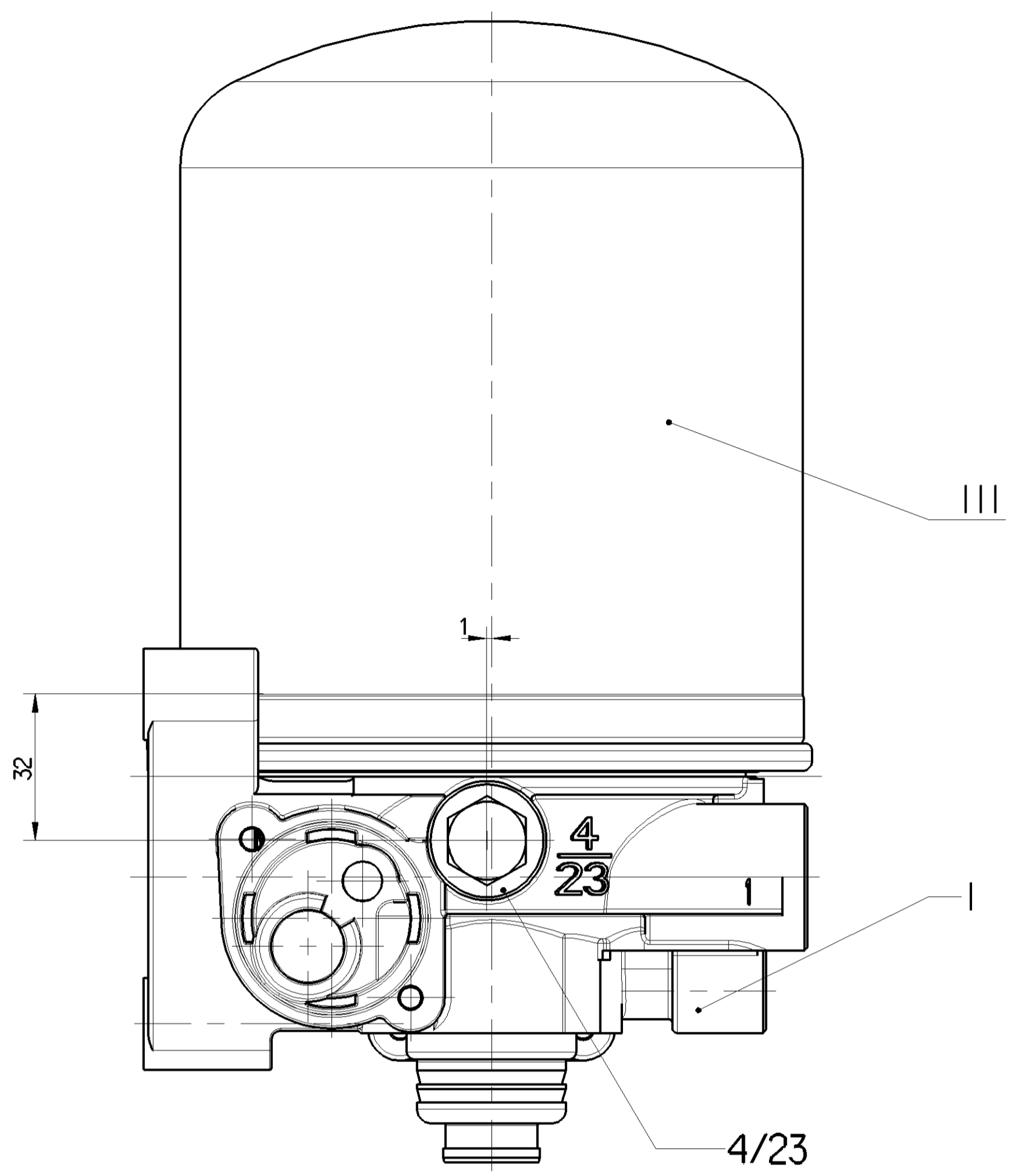


EXTERNAL SURFACE	
I	JED-259-3
II	JED-256-1 OR JED 256-3
III	JED 471-0
IV	PLASTIC/KUNSTSTOFF
V	JED-007-1



PORT	FUNCTION	THREAD
1	FROM THE COMPRESSOR	M22x1.5 JED-388
21	TO THE RESERVOIRS	M22x1.5 JED-388
22	TO THE RESERVOIRS FOR REGENERATED AIR	M16x1.5 JED-388
3	EXHAUST FOR COMPRESSED AIR	-
4/23	TO THE COMPRESSOR (PLUGGED)	M12.5x1.5 d=12

**TECHNICAL DATA:**

**THERMAL RANGE OF CONTINUOUS APPLICATION:** -40°C... +65°C

**RESISTANCE TO HEAT:** +80°C MAX

**MEDIUM:** COMPRESSED AIR

**WORKING PRESSURE:** Pe MAX+13 bar

**MAX. PERMISSIBLE FREQUENCY:** 50 Hz

**MAX. PERMISSIBLE ACCELERATION:** ±10x g

**COMBINED UNLOADER:**

**CUT OUT PRESSURE:** 9.1±0.3 bar

**DYNAMIC PRESSURE OF SAFETY VALVE:** 15<sup>+6</sup><sub>0</sub> bar (BEI Vn=100dm<sup>3</sup>/min.)

**OPERATING RANGE:** 1.3 ±0.4 bar

**TORQUES FOR CONNECTIONS:** M16x1.5: Mmax + 34 Nm  
M22x1.5: Mmax + 53 Nm

1) INSTALLATION POSITION AS DRAWN

General Specification: ISO 8434, JED-388-1, Size ISO 14400 LP		Copyright: 2008 Prövia		<b>Prövia</b>	
Further Technical Data: Product specification		Date: 2022-07-05		AIR DRYER	
Doc. Code: 035		Sheet: 1 To 4		Revision: 005	
General Tolerances: ISO 2768		Created: Murzyn		Date of first issue: 2008-09-13	
Range of Nominal Dimensions (d in mm)		Checked: Pawlowski		Doc. Code: 035	
Class	1	2	3	4	5
File	±0.05	±0.07	±0.10	±0.15	±0.20
Medium	X	±0.1	±0.15	±0.2	±0.3
Coarse	±0.2	±0.3	±0.4	±0.5	±0.6
Tapped holes acc.:		3.50		1:1	
A 0		PRO 410 002 0		EN 1/1	
Scale: 1:1		Revision: 2 x E		S0500_AW	