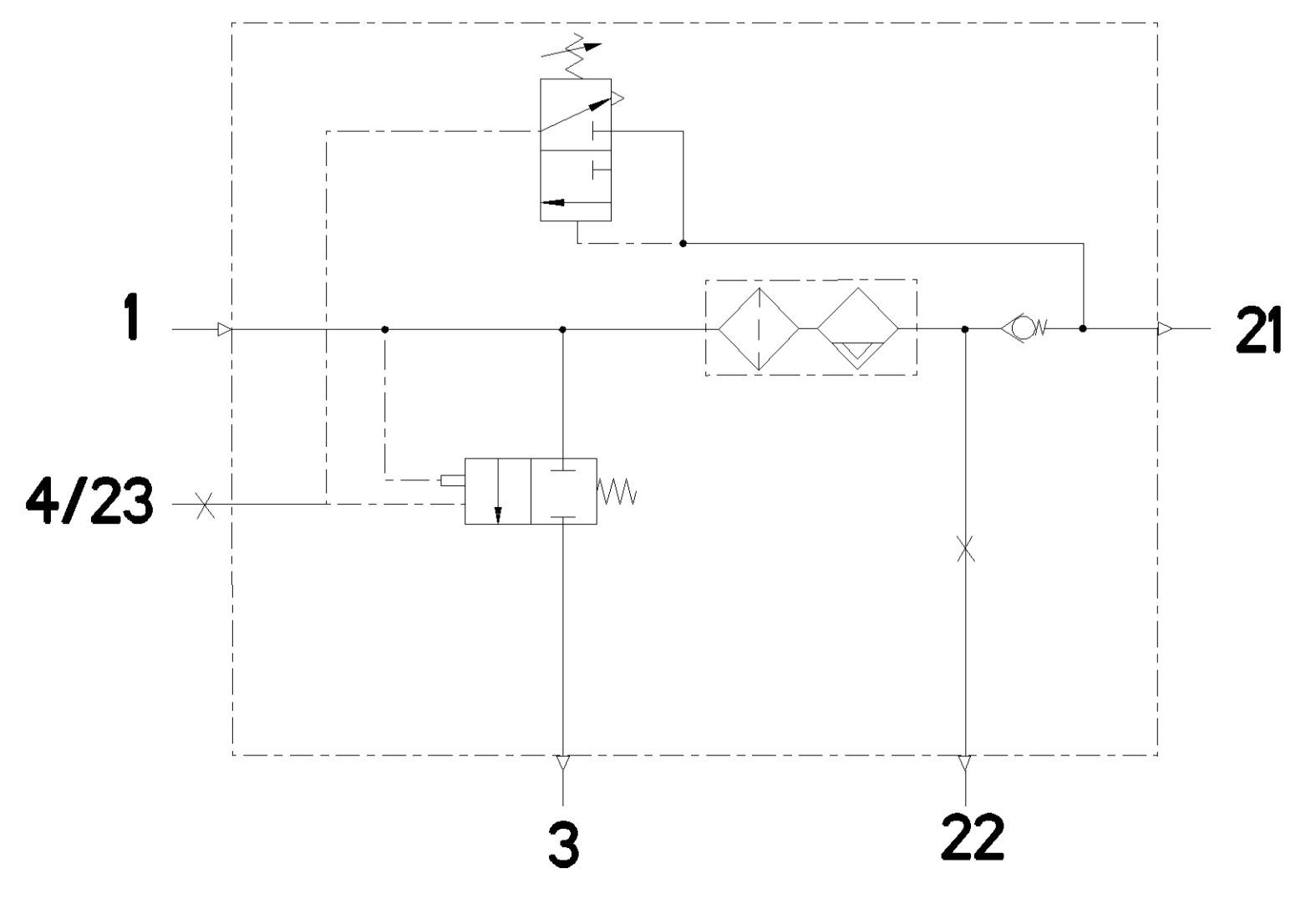
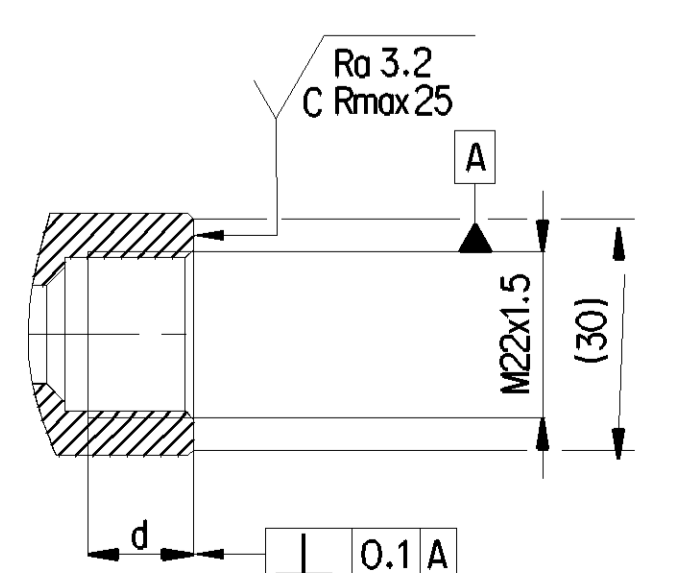
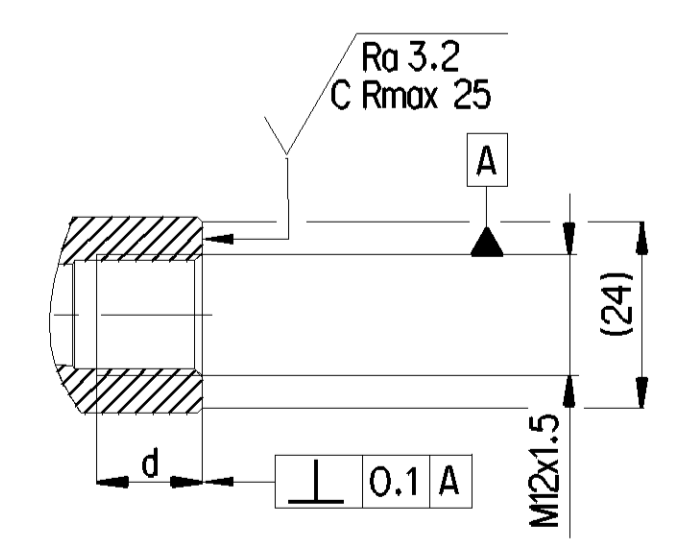
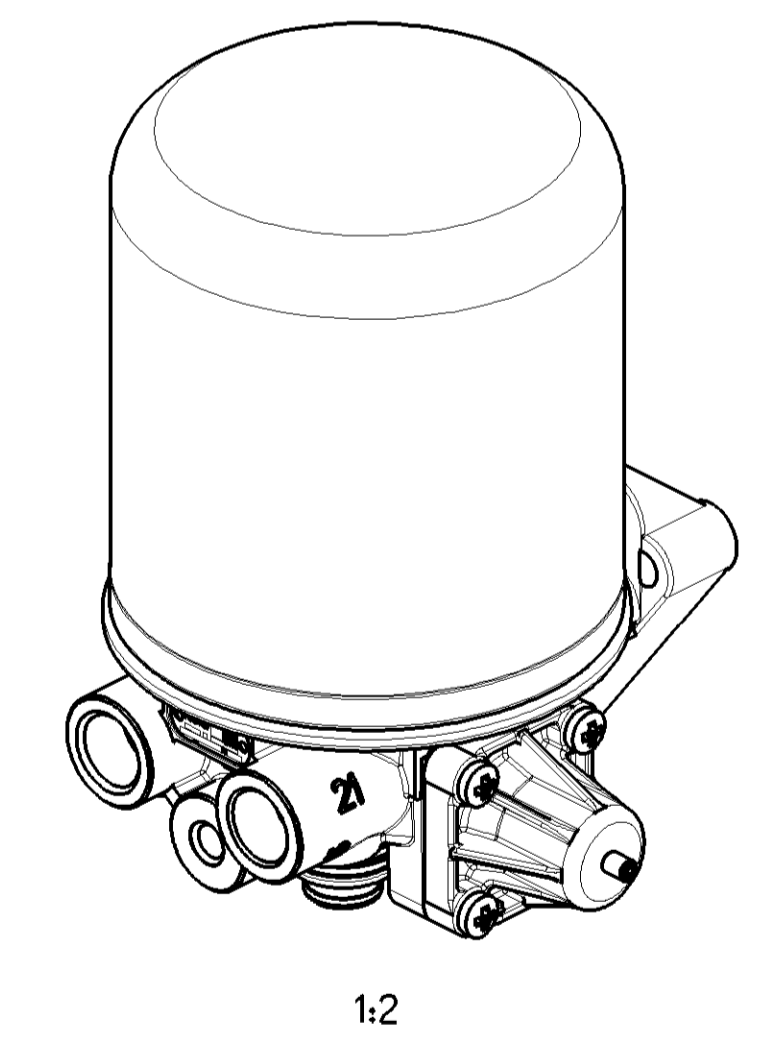
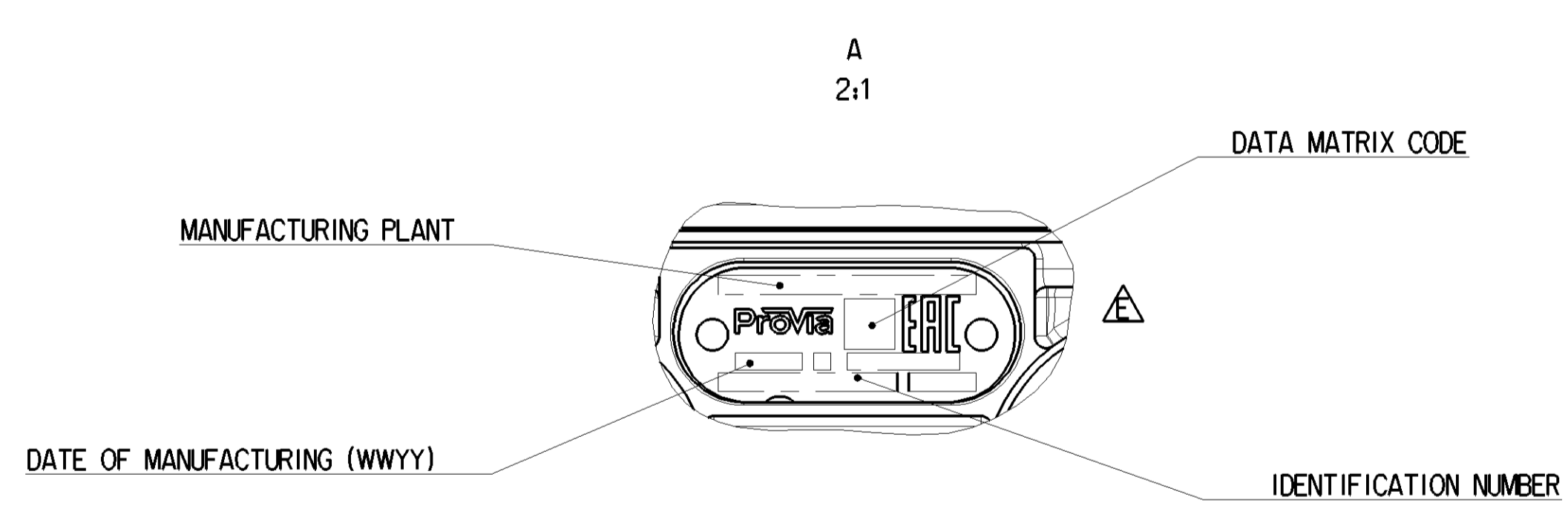
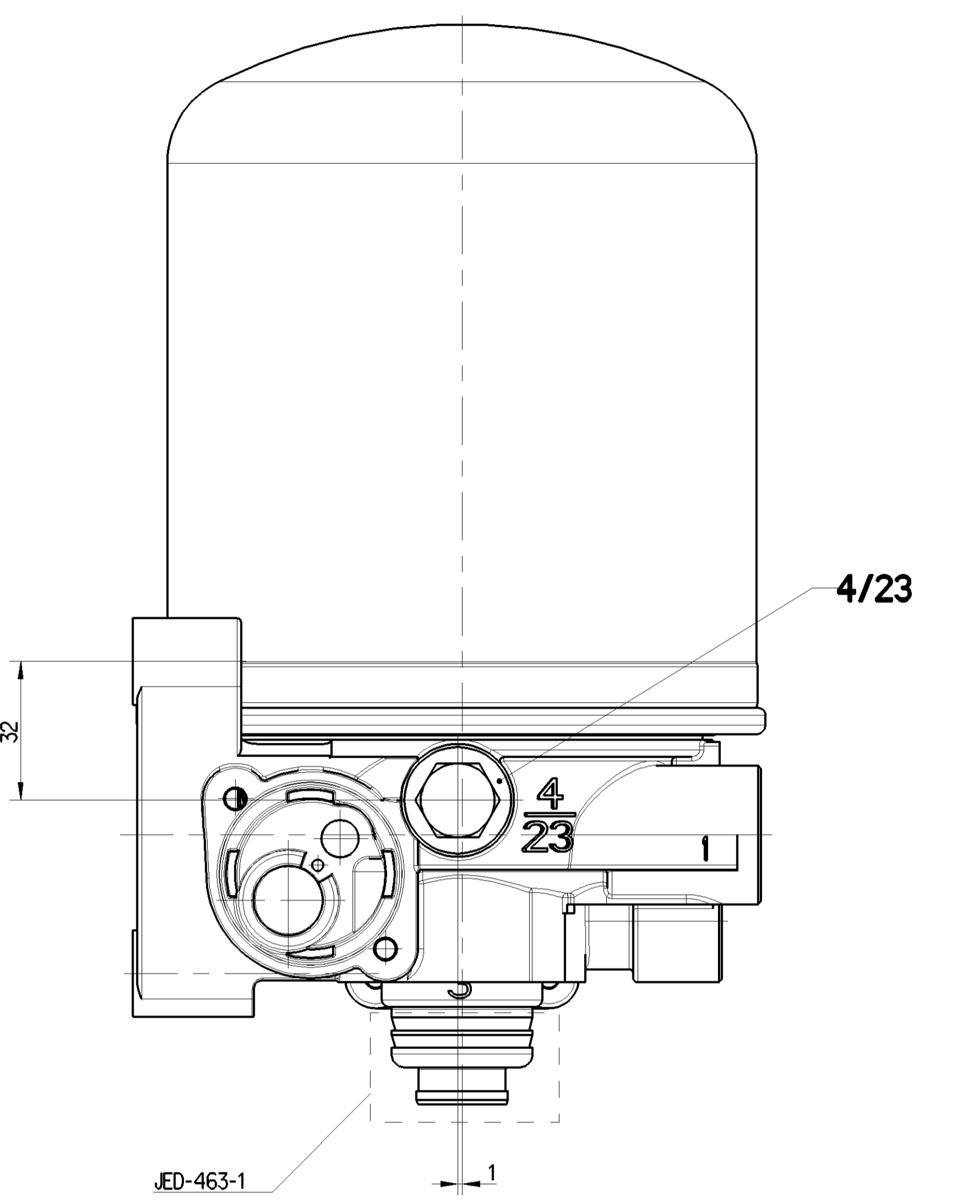
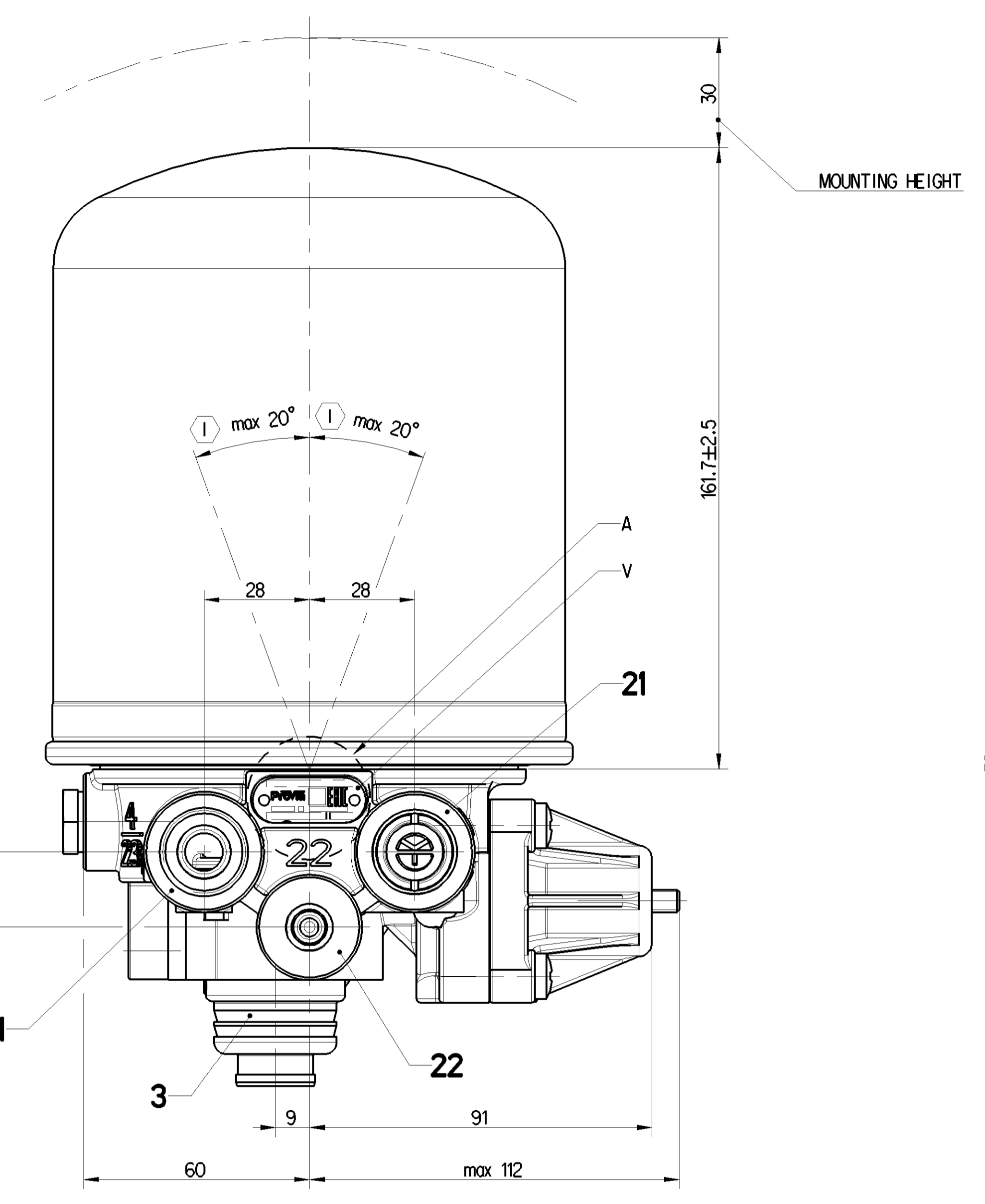
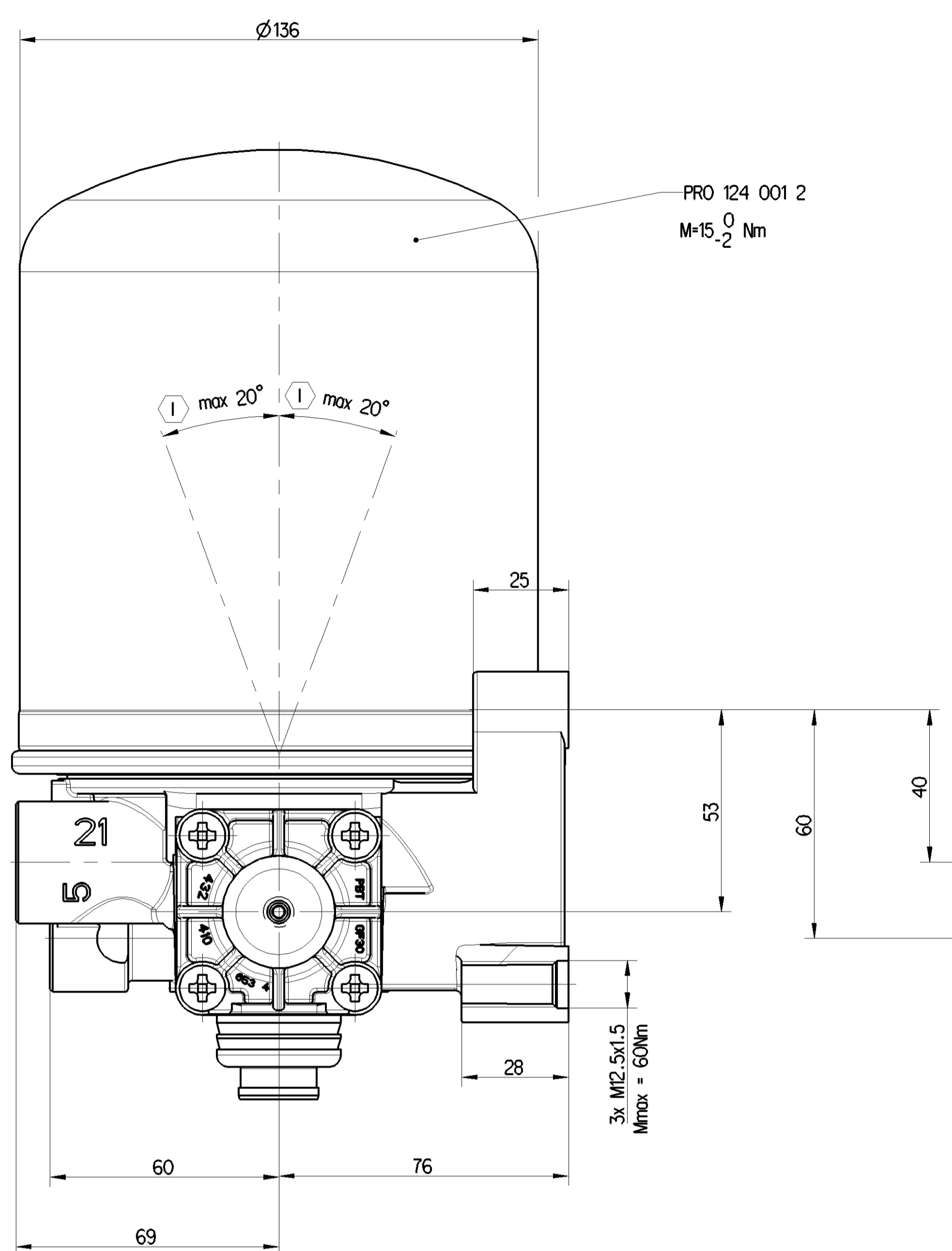
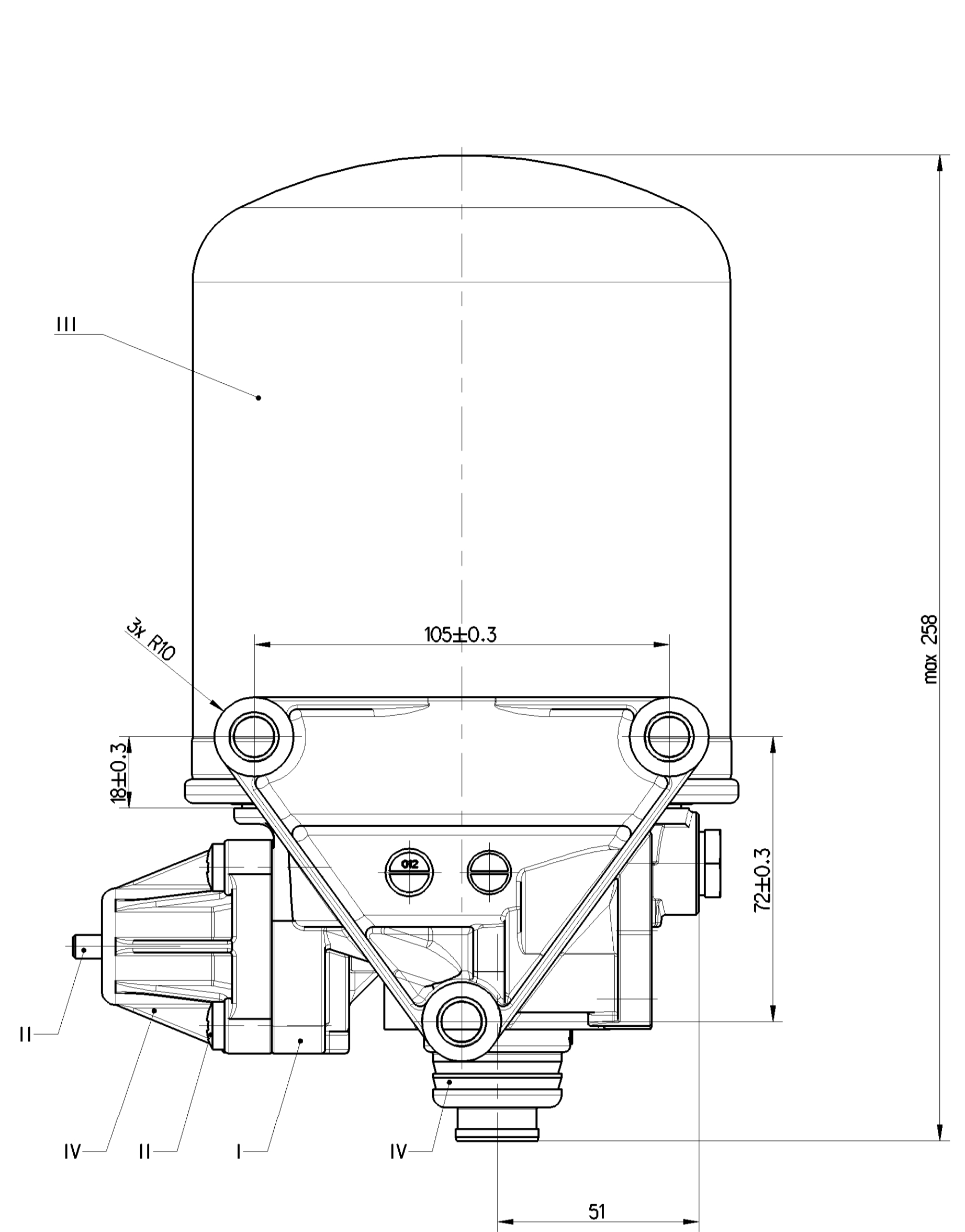


EXTERNAL SURFACE	
I	JED-259-3
II	JED-256-1 OR JED-256-3
III	JED-471-0
IV	PLASTIC/KUNSTSTOFF
V	JED-007-1



PORT	FUNCTION	THREAD
1	FROM THE COMPRESSOR	M22x1.5 JED-388
21	TO THE RESERVOIRS	M22x1.5 JED-388
22	TO THE RESERVOIRS FOR REGENERATED AIR	M12x1.5 JED-388
3	EXHAUST FOR COMPRESSED AIR	-
4/23	TO THE COMPRESSOR (PLUGGED)	M12.5x1.5 d=12

TECHNICAL DATA:

THERMAL RANGE OF CONTINUOUS APPLICATION:	-40°C... +65°C
RESISTANCE TO HEAT:	+80°C MAX
MEDIUM:	COMPRESSED AIR
WORKING PRESSURE:	Pe MAX=13 bar
MAX. PREMISSIBLE FREQUENCY:	50 Hz
MAX. PREMISSIBLE ACCELERATION:	±10x g
COMBINED UNLOADER:	
CUT OUT PRESSURE:	8.3±0.3 bar
DYNAMIC PRESSURE OF SAFETY VALVE:	15 ⁺⁶ / ₀ bar (BEI Vn=100dm ³ /min.)
OPERATING RANGE:	1.3 ±0.4 bar
TORQUES FOR CONNECTIONS:	M12x1.5: Mmax = 21 Nm M16x1.5: Mmax = 34 Nm M22x1.5: Mmax = 53 Nm

1 INSTALLATION POSITION AS DRAWN

General Specification: ISO 9001, JED-388-1, Size 10114105 LP

Copyright: 2007

Further Technical Data: Product Specification

Doc. Code: 030

Revision: 1 To 4

2022-07-05 Murzyn

2022-07-05 Pawlowski

PRO 410 003 0

005 EN 1/1

50690 2 x E