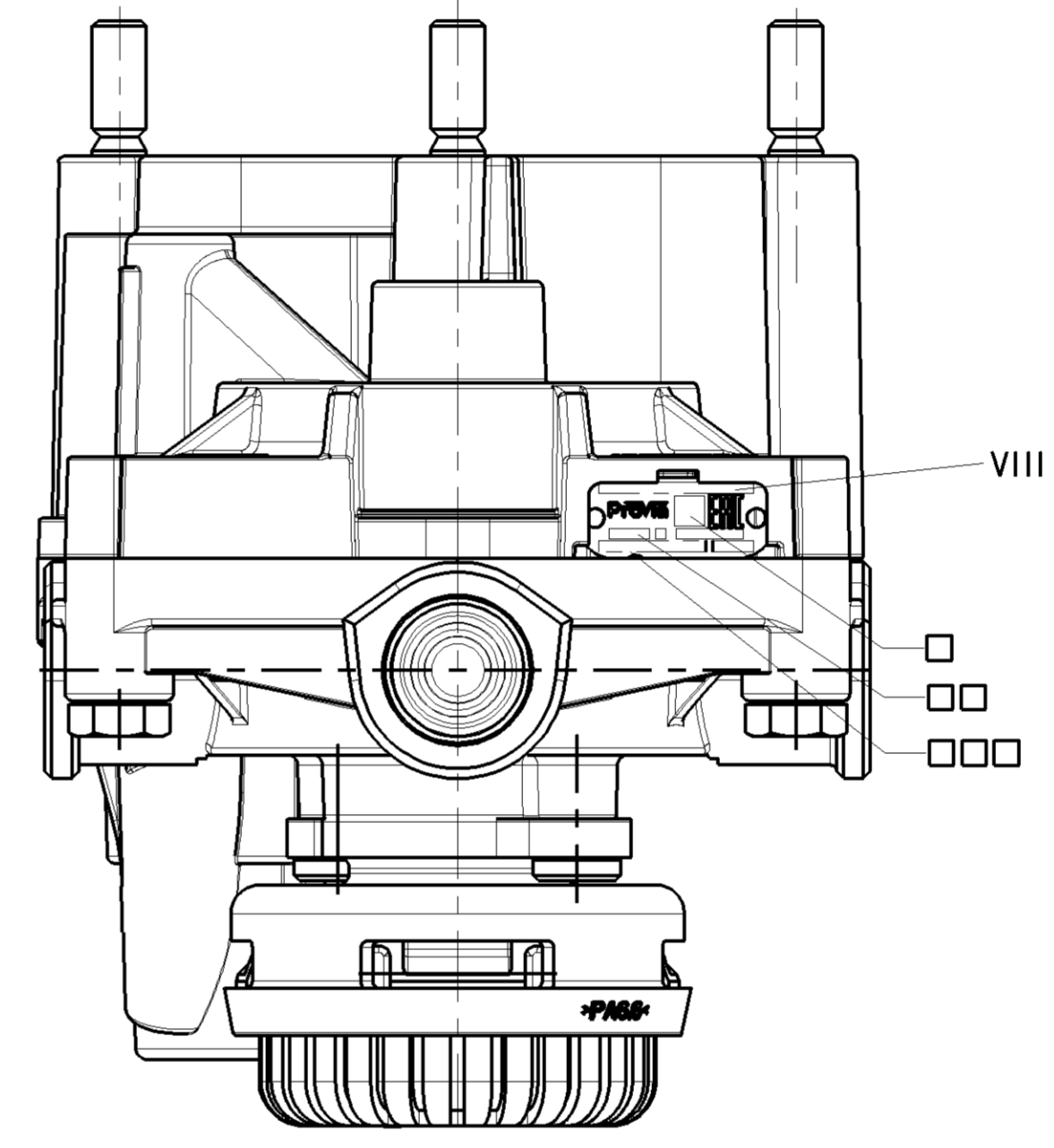
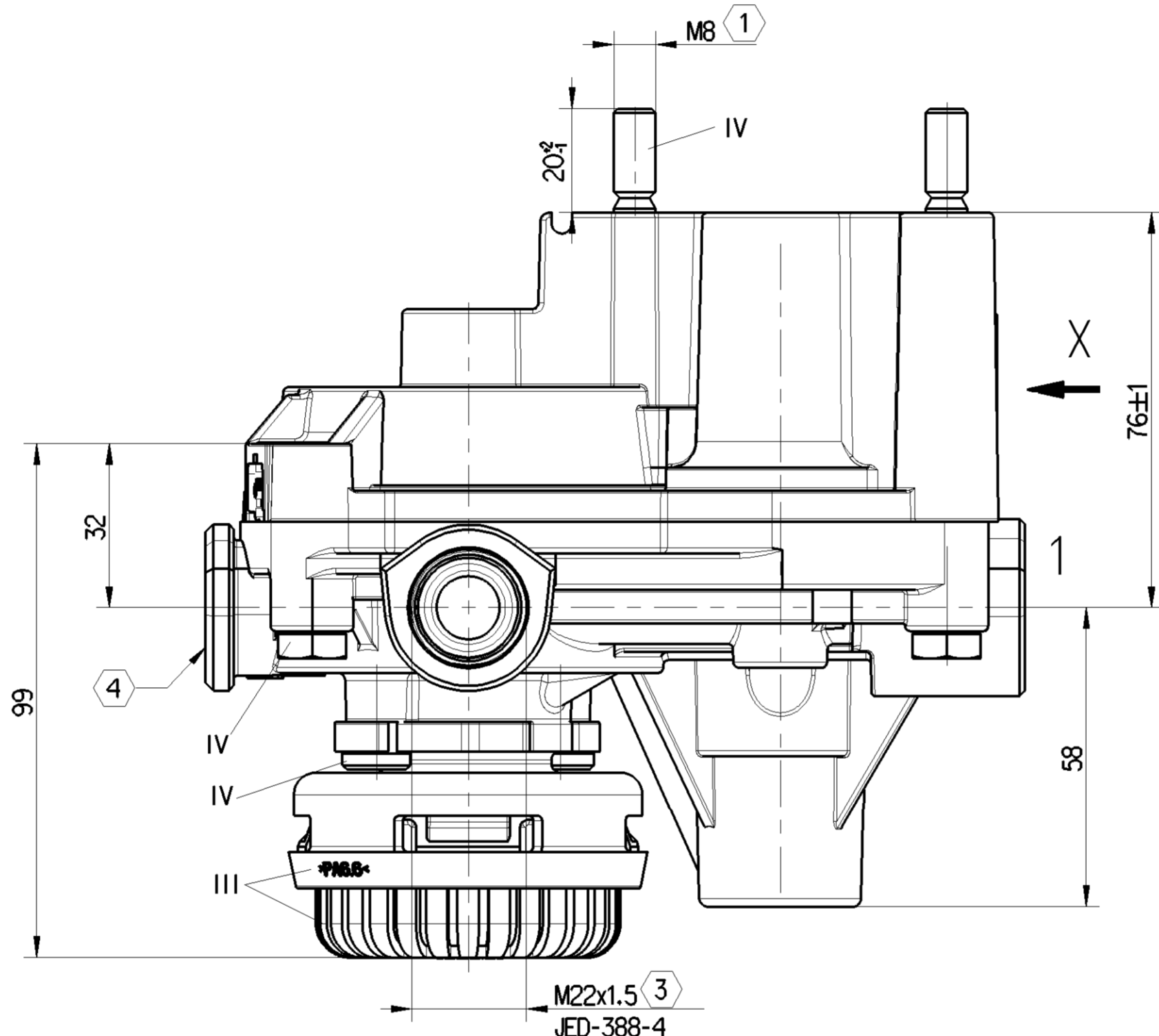
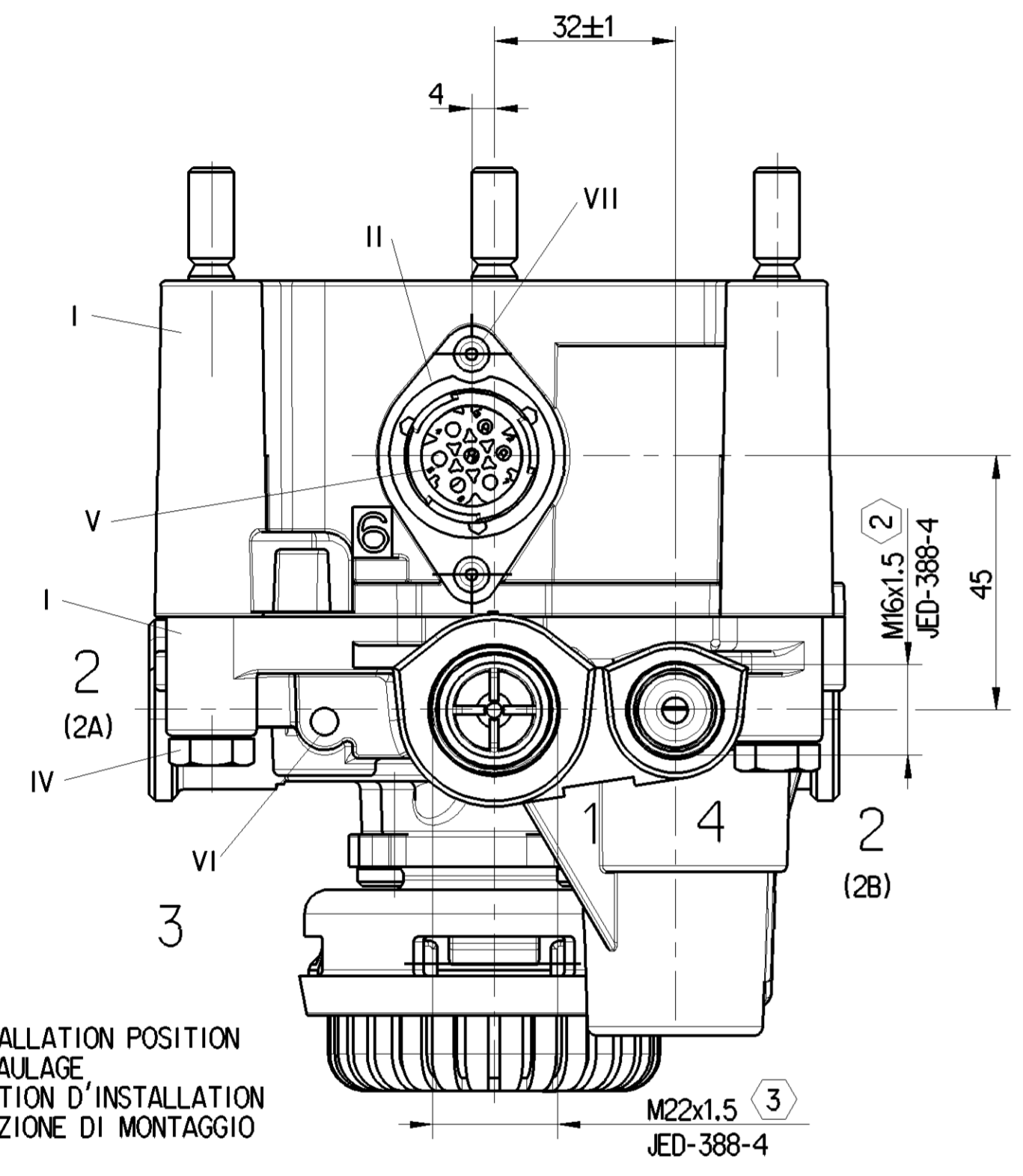
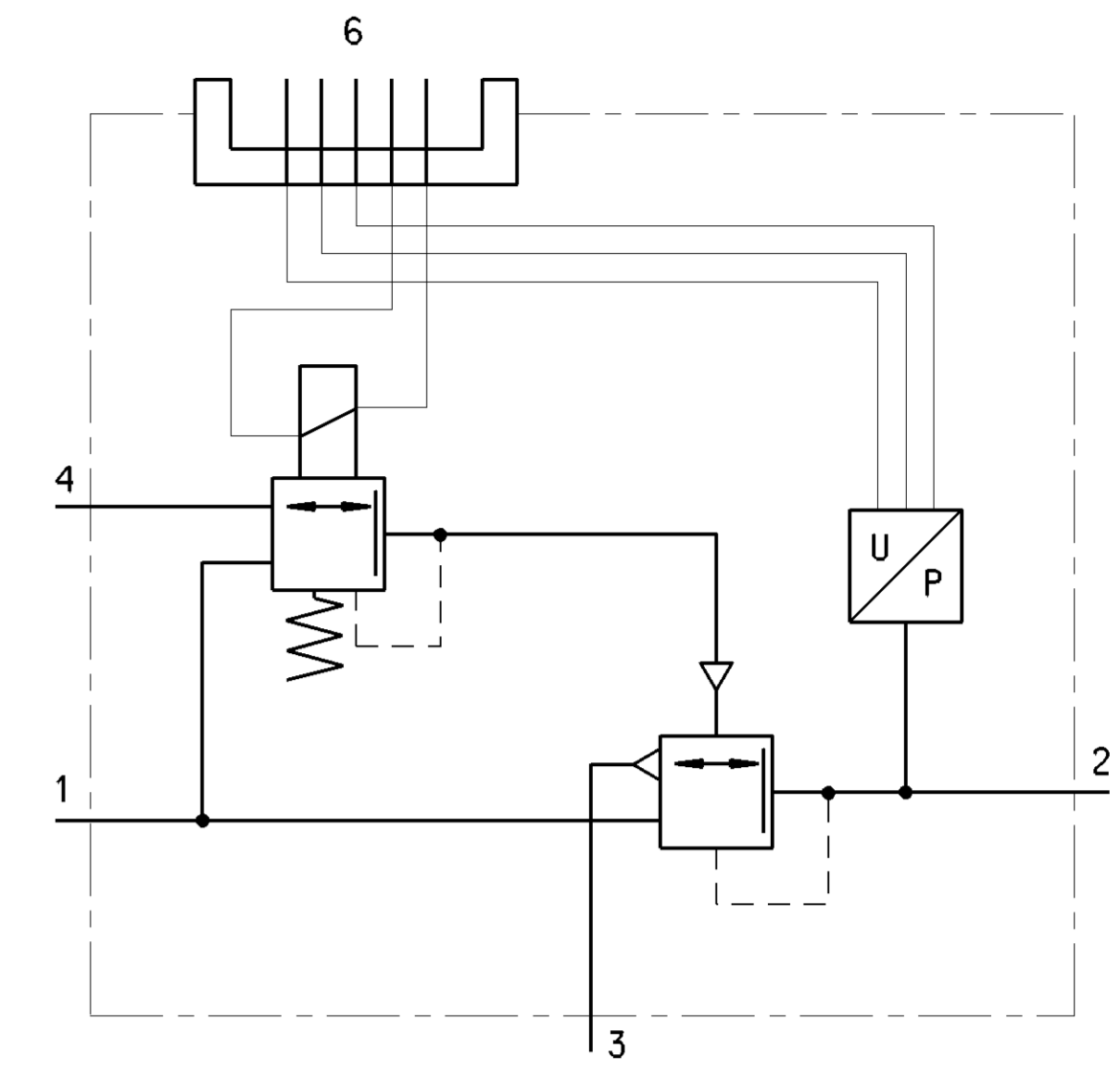


	MATERIAL AND SURFACE PROTECTION MATERIAL UND OBERFLAECHENSCHUTZ MATERIAU ET PROTECTION SUPERFICIELLE MATERIALE E PROTEZIONE SUPERFICIALE	PORT ANSCHLUSS ORIFICE ORIFIZIO	FUNCTION FUNKTION FONCTION FUNZIONE
I	Al JED-029M1 / JED-259-3	6	
II	PA6.6 JED-359-1		PRESSURE SENSOR, DRUCKSENSOR
III	PA6.6 JED-354-1		CAPTEUR DE PRESSION, SENSORE DI PRESSIONE
IV	Fe JED-051M4 / JED-256.1	6.1	Ue +
V	Cu Ni Si / Gal Sn1 JED-570-516	6.2	GROUND, MASSE, MASSE, MASSA
VI	Fe JED-024M0	6.3	SIGNAL, SIGNAL, SIGNAL, SEGNALE
VII	Al Mg2 Mn0.3		
VIII	Al JED-077-1 / JED-007-1		SOLENOID, MAGNET, AIMANT, SOLENOIDE
IX		6.4	HIGH, HIGH, HIGH, ALTO
X		6.5	LOW, LOW, LOW, BASSO

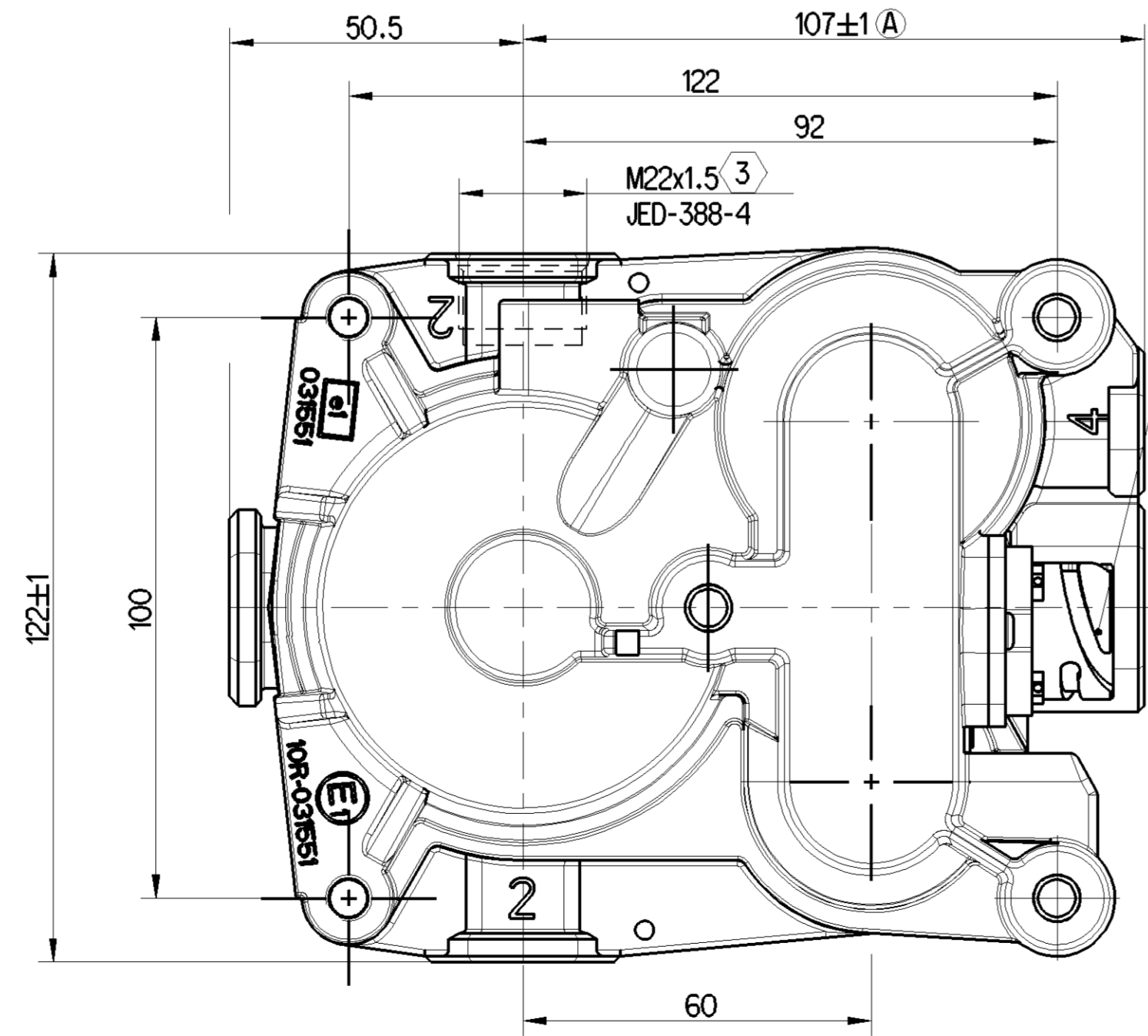
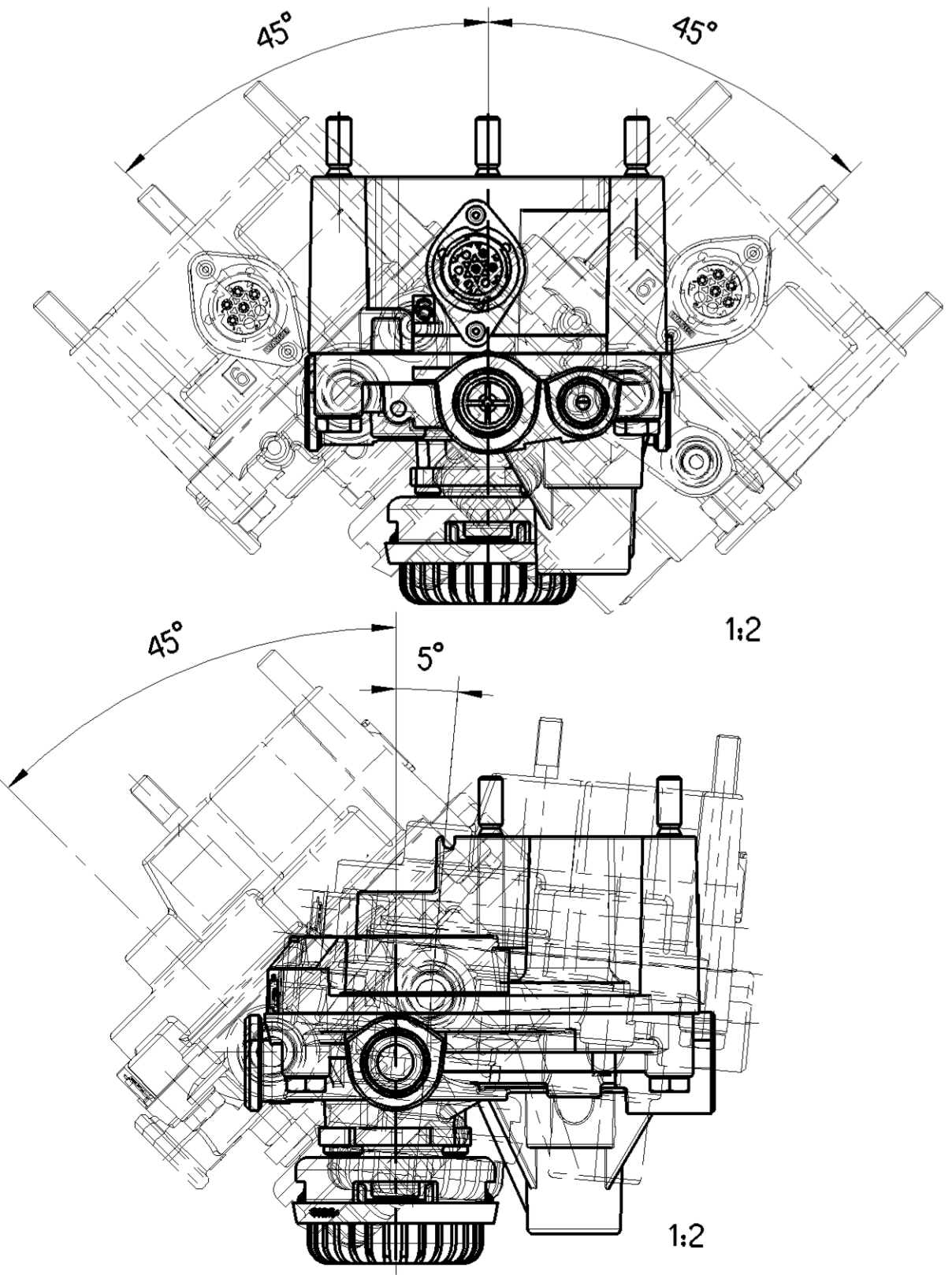


5 INSTALLATION POSITION
EINBAULAGE
POSITION D'INSTALLATION
POSIZIONE DI MONTAGGIO

4 CONNECTION CLOSED
ANSCHLUSS GESCHLOSSEN
CONNEXION FERME
CONNESSIONE CHIUSO

- 1 SUPPLY
ENERGIEZUFUSS VOM VORRAT
ALIMENTATION
ALIMENTAZIONE
- 2 DELIVERY
ENERGIEABFLUSS IN DIE ARBEITSLEITUNG
UTILISATION
MANDATA
- 3 EXHAUST
ANSCHLUSS ATMOSPHAERE
ECHAPPEMENT
SCARICO
- 4 BACK UP PORT
REDUNDANZANSCHLUSS
ORIFICE DE REDONDANCE
ATTACCO DI RIDONDANZA
- 6 ELECTRICAL CONTROL
ELEKTRISCHER STEUERANSCHLUSS
COMMANDE ELECTRIQUE
COMANDO ELETTRICO

- DATA MATRIX CODING
- DATE OF MANUFACTURE (WW/YY)
- PROVIA IDENTIFICATION NUMBER



OVERALL DIMENSIONS
AUSSENABMESSUNGEN NACH
DIMENSIONS HORS TOUT
MISURE ESTERNE

INSIDE DIMENSIONS
INNENABMESSUNGEN NACH
DIMENSIONS INTERIEUR
MISURE INTERNO

375 110 132 4,
INDEX -

INSPECTION MARK
PRUEFZEICHEN
MARQUE DE CONTRÔLE
STAMPA DI COLLAUDO

10 R - 031551

DEVICE IS DESIGNED FOR USE IN ZF SYSTEMS AND
OTHER DEDICATED RELEASED APPLICATIONS.
POWER SUPPLY AND CONTROL ARE ALWAYS
PROVIDED BY ZF CENTRAL MODULE.
STANDALONE USAGE NOT ALLOWED.

	2	3
FOR THREAD PERMISSIBLE FUER GEWINDE ZULAESSIG POUR FILETAGE ADMISE PER FILETTATURA AMMESSA	M16	M22
TORQUE ACCORDING TO JED-366 ANZUGSMOMENT ENTSPRECHEND JED-366 COUPLE DE SERRAGE SUIVANT JED-366 COPPIA DI SERRAGGIO SECONDO JED-366	MAX. 34 Nm	MAX. 53 Nm

1
MAX. TORQUE
MAX. ANZUGSMOMENT
COUPLE MAXI DE SERRAGE
COPPIA MASSIMA DI SERRAGGIO

26 Nm

General Specification: ISO 8015, JED-334-1, Size ISO 14405 LP		Copyright ZF*		
Further Technical Data: Product Specification		Date	Signature	
Doc. Code: 035	Sheet: 1 To 23	2023-02-09	Blozajk	
General Tolerances JED-261		2023-02-13	Powlowski	
Range of Nominal Dimensions (± mm)		Dimensions in mm		
Class	1) ≤ 50	2) 50 > 180	3) 180 ≤ 400	4) > 400
Fine	±0.5	±1	±1.5	±2
Medium	±1	±2	±3	±4
Coarse	±2	±3.5	±5	±6.5
Tapped Holes acc. JED-388-4		Mass	Scale	
1) Tolerance Class Applied Crossmarked		2.2 kg	1:1	
		Size	CAD System	
		A 1	CREO	

Material No.		Date of first issue	
PRO 643 104 0		2022-02-02	
Doc. Code	Language	Doc. Code	Language
513339	3x	005	ML
Revision	Techn. Resp.	Sheet	
A	5220_AM	1/2	

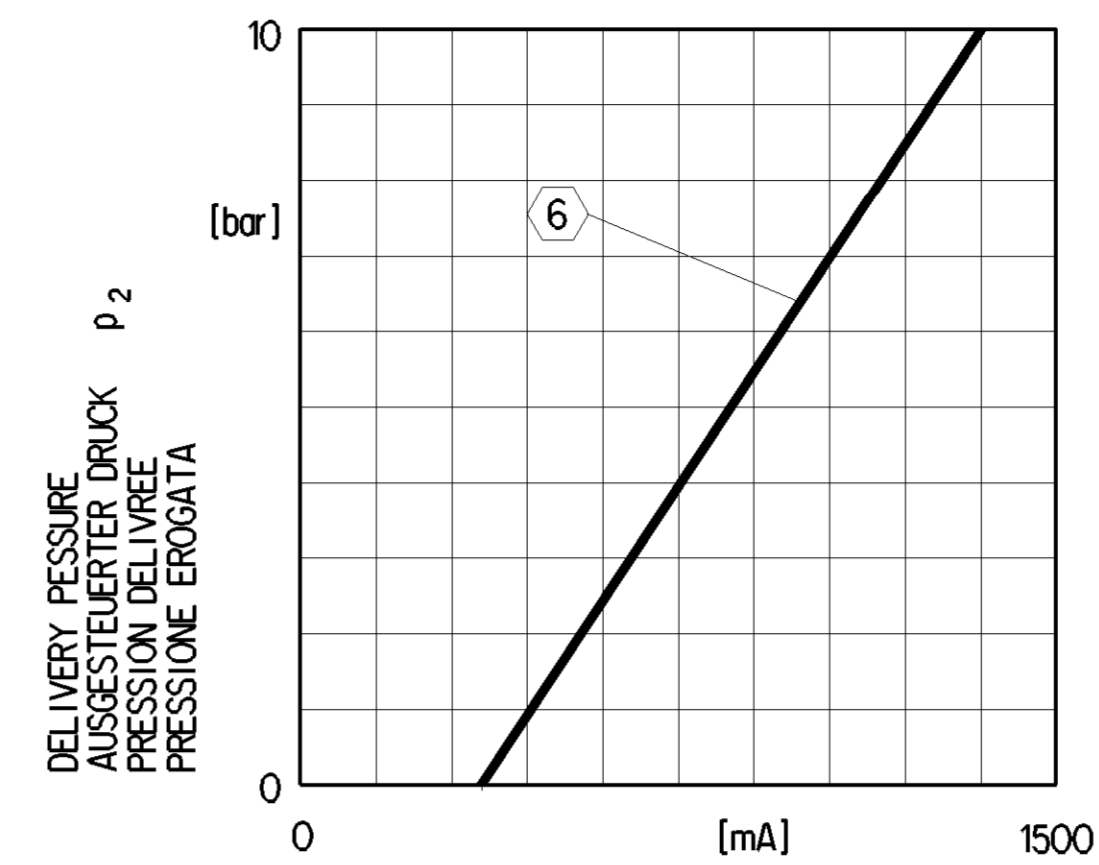
Non è permesso copiare o riprodurre questo documento, né utilizzare il contenuto a fini commerciali senza permesso scritto dalla ZF. Toute réimpression ou reproduction de ce document, toute exploitation ou communication de son contenu sans autorisation écrite de la ZF sont formellement interdites. Toute utilisation commerciale sans autorisation écrite de la ZF est formellement interdite. This document is the subject of copyright. All rights reserved. No part of this document may be reproduced or transmitted in any form or by any means electronic or mechanical, including photocopying, recording, or by any information storage and retrieval system, without permission in writing from the ZF Group.

THE VALVE CORRESPONDS TO THE REGULATIONS FOR ELECTROMAGNETIC DEVICES ACCORDING TO VDE 0580
 GERÄT ENTSPRICHT DEN BESTIMMUNGEN FÜR ELEKTROMAGNETISCHE GERÄTE NACH VDE 0580
 LA VALVE CORRESPOND AUX CONDITIONS POUR DES APPAREILS ELECTROMAGNETIQUES SUIVANT VDE 0580
 LA VALVOLA CORRISPONDE ALLE CONDIZIONI PER APPARECCHI ELETTROMAGNETICI SECONDO VDE 0580

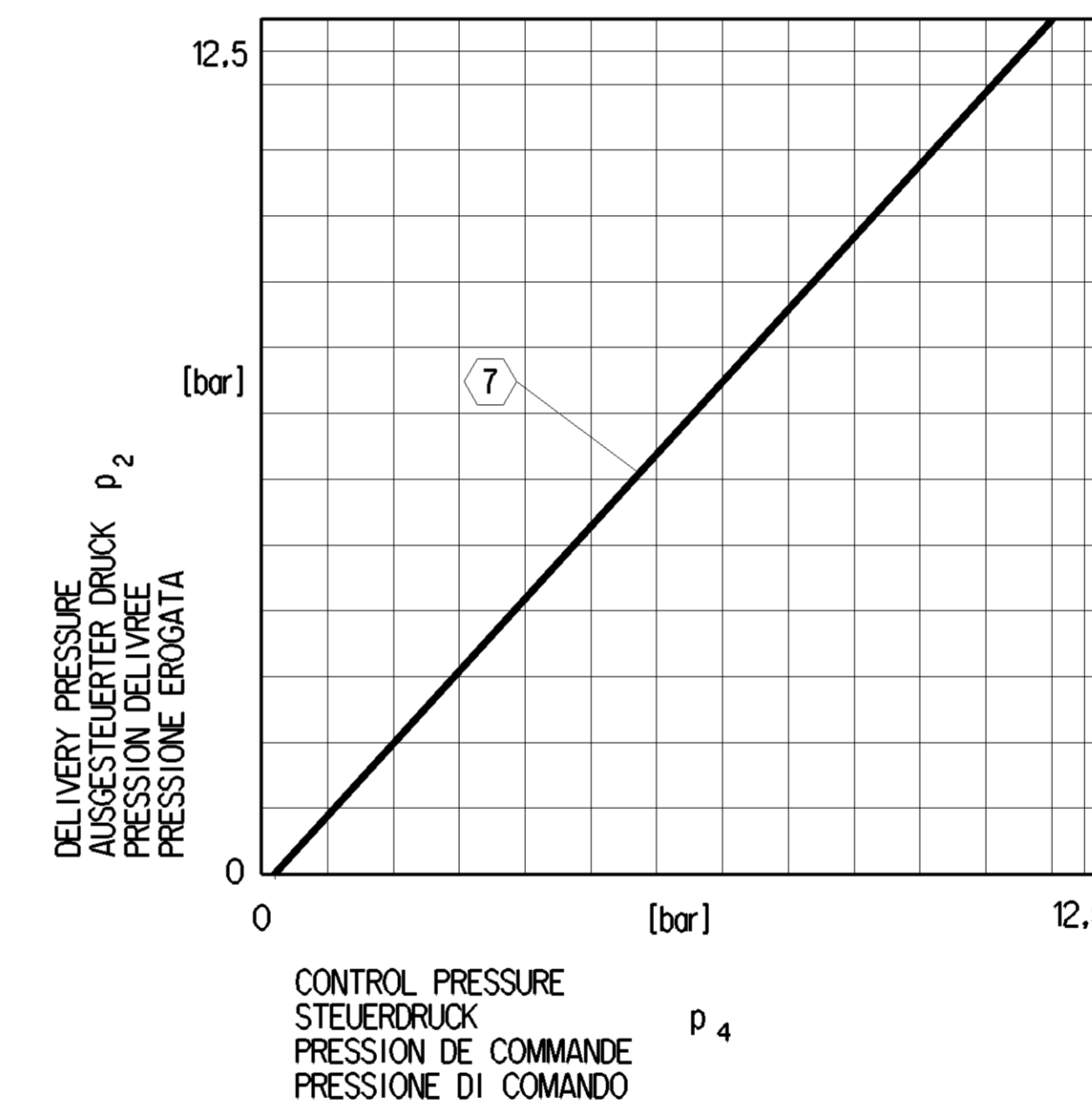
- 1.1 WORKING MEDIUM : AIR (CONTAINING WATER, OIL AND ALCOHOL)
 ARBEITSMEDIUM : LUFT (WASSER-, OEL- UND ALKOHOLHALTIG)
 FLUIDE D'UTILISATION: AIR (CHARGE D'EAU, D'HUILE ET D'ALCOOL)
 FLUIDO DI ESERCIZIO : ARIA (CONTENENTE ACQUA, OLIO ED ALCOOL)
- 1.2 AMBIENT ENVIRONMENT: AIR (CONTAINING WATER, SALT, DUST AND OIL)
 UMGEBUNGSMEDIUM : LUFT (WASSER-, SALZ-, STAUB- UND OELHALTIG)
 FLUIDE AMBIENT : AIR (CHARGE D'EAU, DE SEL, DE POUSSIERE ET D'HUILE)
 FLUIDO AMBIENTE : ARIA (CONTENENTE ACQUA, SALE, POLVERO ED OLIO)
- 2.1 THERMAL RANGE OF APPLICATION UNDER NORMAL AMBIANT CONDITIONS :
 THERMISCHER ANWENDUNGSBEREICH UNTER NORMALEN UMGEBUNGSBEDINGUNGEN: -40°...+80°C
 PLAGE DE TEMPERATURE EN UTILISATION CONTINUE DE :
 CAMPO D'APPLICAZIONE TERMICA NELLE NORMALI CONDIZIONE AMBIENTALI :
- 2.2 SHORT TERM RESISTANCE TO HEAT : WITHOUT FUNCTION
 KURZZEITIGE WAERMEBESTAENDIGKEIT : +110°C OHNE FUNKTION
 RESISTANCE THERMIQUE TEMPORAIRE : (p₁ = 0 bar, max. 1h) SANS FONCTION
 RESISTANZA TERMICA PER BREVE PERIODO: SENZA FUNZIONE
- 3.1 WORKING PRESSURE (SUPPLY) :
 BETRIEBSDRUCK (VORRAT) : p₁ = 5...12.5 bar
 PRESSION D'UTILISATION (ALIMENTATION) :
 PRESSIONE DI ESERCIZIO (ALIMENTAZIONE) :
- 3.2 MAX. PERMISSIBLE WORKING PRESSURE (WITHOUT FUNCTION) (SUPPLY) :
 MAX. ZULAESSIGER BETRIEBSDRUCK (OHNE FUNKTION) (VORRAT) : p₁ = 13 bar
 PRESSION D'UTILISATION MAXI ADMISSIBLE (SANS FONCTION) (ALIMENTATION) :
 PRESSIONE DI ESERCIZIO MAX. AMMISSIBILE (SENZA FUNZIONE) (ALIMENTAZIONE) :
- 3.3 OUTPUT PRESSURE :
 AUSGANGSDRUCK : p₂ = 10 bar / ED = 100%
 PRESSION DE SORTIE :
 PRESSIONE D'USCITA :
- 4 MIN. FLOW PASSAGE / NOMINAL DIAMETER : PORT 1 - 2 :
 MIN. DURCHFLOSSEFFNUNG / NENNWEITE : ANSCHLUSS 1 - 2 : 78.5 mm² / NW 10
 MIN. ORIFICE CALIBRE / DIAMETRE NOMINAL : ORIFICE 1 - 2 :
 MIN. PASSAGIO LIBERO / DIAMETRO NOMINALE: ORIFIZIO 1 - 2 :
 PORT 2 - 3 :
 ANSCHLUSS 2 - 3 : 78.5 mm² / NW 10
 ORIFICE 2 - 3 :
 ORIFIZIO 2 - 3 :

- 5 VOLTAGE :
 SPANNUNG : 24 +8/-6.5 V
 TENSION :
 TENSIONE :
- 5.1 MAX. CONTINUOUS VOLTAGE BETWEEN PORTS 6.4 AND 6.5 : 8 V
 MAX. DAUERSPANNUNG ZWISCHEN ANSCHLUSS 6.4 UND 6.5 : 8 V
 TENSION PERMANENTE MAX. ENTRE ORIFICE 6.4 ET 6.5 : 8 V
 TENSIONE PERMANENTE MAX. FRA ORIFICIO 6.4 E 6.5 : 8 V
- 6 MAX. CURRENT (SOLENOID) : DIRECT CURRENT
 MAX. STROM (MAGNET) : I_{max} = 1.4 A GLEICHSTROM
 COURANT MAX. (AIMANT) : COURANT CONTINU
 CORRENTE MAX. (SOLENOIDE) : CORRENTE CONTINUA
- 7 DEGREE OF PROTECTION : COMPLETE DEVICE WITH MOUNTED COUPLING :
 SCHUTZART : KOMPLETTES GERÄET MIT MONTIERTER KUPPLUNG : IP 6K 6K, IP 6K 9K
 DEGRE DE PROTECTION : APPAREIL COMPLET AVEC L' ACCOUPLEMENT MONTE :
 GRADO DI PROTEZIONE : APPARECCHIO COMPLETO CON ACCOPPIAMENTO MONTATO :
 ELECTRICTERMINALS WITH MOUNTED COUPLING :
 ELEKTRISCHE ANSCHLUESSE MIT MONTIERTER KUPPLUNG : IP 6K 7
 BORNES ELECTRIQUES AVEC L' ACCOUPLEMENT MONTE :
 TERMINALI ELETTRICI CON ACCOPPIAMENTO MONTATO :
- 8 PROTECTION CLASS :
 SCHUTZKLASSE : IIII
 CLASSE DE PROTECTION:
 CLASSE DI PROTEZIONE:

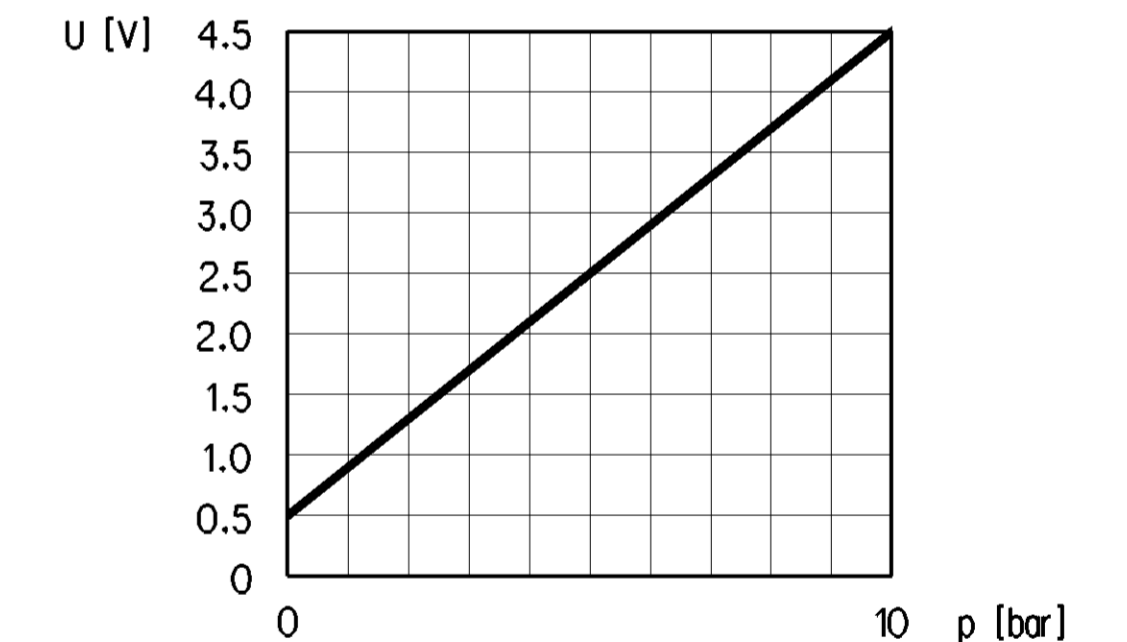
FURTHER TECHNICAL DATA SEE PRODUCT SPECIFICATION.
 WEITERE TECHNISCHE DATEN SIEHE PRODUKT SPEZIFIKATION.
 POUR INFORMATIONS COMPLEMENTAIRES VOIR LES SPECIFICATIONS DU PRODUIT.
 PER INFORMAZIONI ULTERIORI VEDI LA SPECIFICAZIONE DEL PRODOTTO.



- 6 CHARACTERISTIC CURVE : FAILURE OF BACK UP PORT 4
 KENNLINIE : AUSFALL DES REDUNDANZANSCHLUSSES 4
 COURBE CARACTERISTIQUE : DEFAILLANCE DU ORIFICE DE REDONDANCE 4
 CURVA CARATTERISTICA : DIFETTO DELL' ATTACCO DI RIDONDANZA 4
- 7 CHARACTERISTIC CURVE : FAILURE OF ELECTRICAL CONTROL 6
 KENNLINIE : AUSFALL DES STEUERANSCHLUSSES 6
 COURBE CARACTERISTIQUE : DEFAILLANCE DU COMMANDE ELECTRIQUE 6
 CURVA CARATTERISTICA : DIFETTO DEL COMANDO ELETTRICO 6



CHARACTERISTIC CURVE PRESSURE SENSOR
 KENNLINIE DRUCKSENSOR
 COURBE CARACTERISTIQUE CAPTEUR DE PRESSION
 CURVA CARATTERISTICA SENSORE DI PRESSIONE



Tutti i diritti sono riservati. È vietata espressamente la ristampa o l'uso non autorizzato senza permesso scritto dalla ProVia. Tutti i diritti sono riservati. È vietata espressamente la ristampa o l'uso non autorizzato senza permesso scritto dalla ProVia.

General Specifications: ISO 8015, JED-334-1, Size ISO 14405 LP		Copyright ZF*	
Further Technical Data: Product Specification		Date	Signature
Doc. Code: 035	Sheet: 1 To 23	2023-02-09	Blozejak
General Tolerances JED-261		2023-02-13	
Range of Nominal Dimensions (± mm)		Pawlowski	
Class	1) ≤ 50	50 > 180	180 ≤ 400 > 400
Fine	±0.5	±1	±1.5 ±2
Medium	±1	±2	±3 ±4 ±3°
Coarse	±2	±3.5	±5 ±6.5
Dimensions in mm		Mass	Scale
2.2 kg		A 1 CREO	
Size		CAD System	Material No.
A 1		513339	PRO 643 104 0
Tapped Holes acc. JED-388-4		Revision	Techn. Resp.
1) Tolerance Class Applied Crossmarked		tx	A 5220_AM
		Date of first issue:	2022-02-02
		Doc. Code	Language
		005	ML
		Sheet	2/2