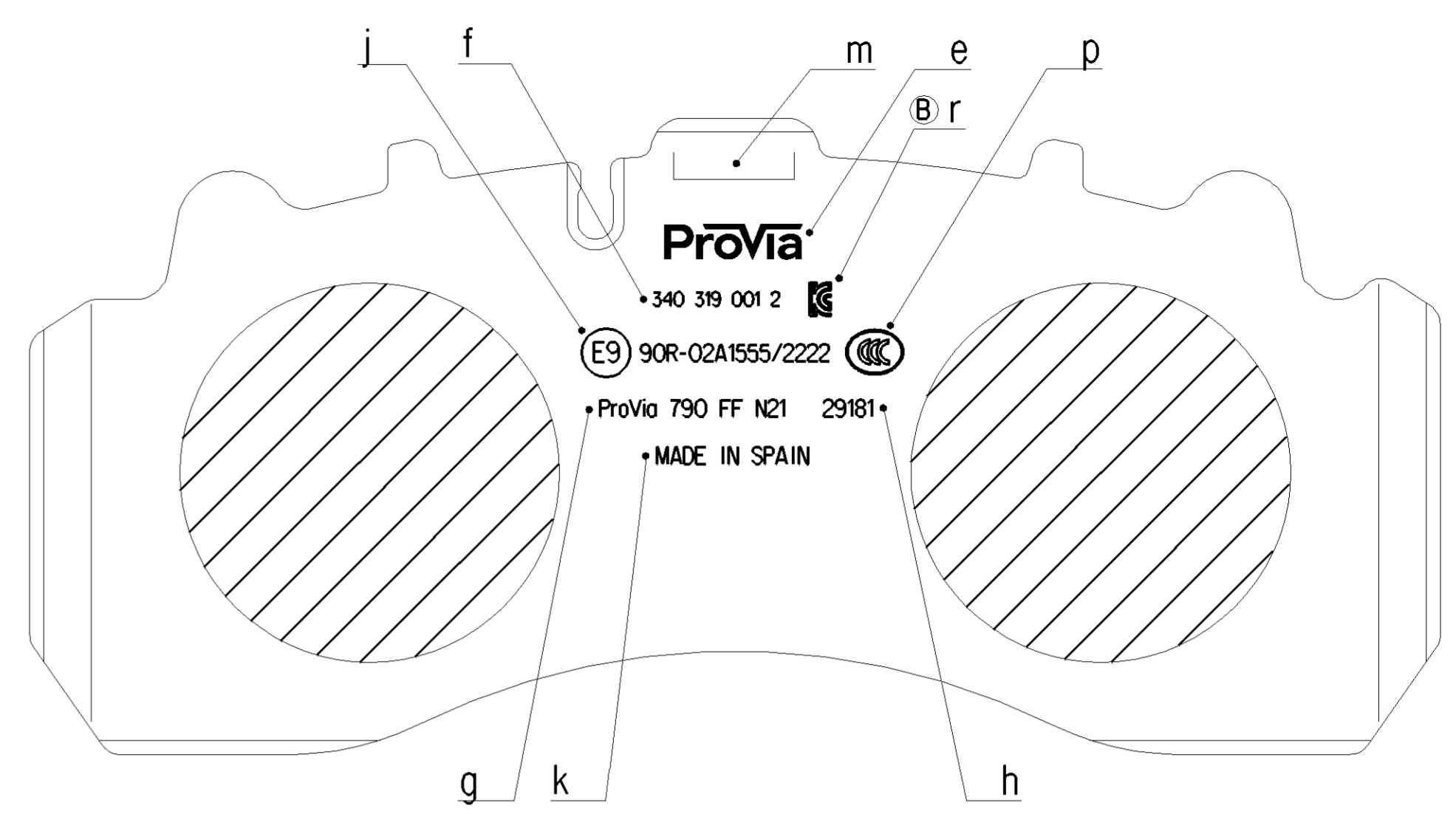
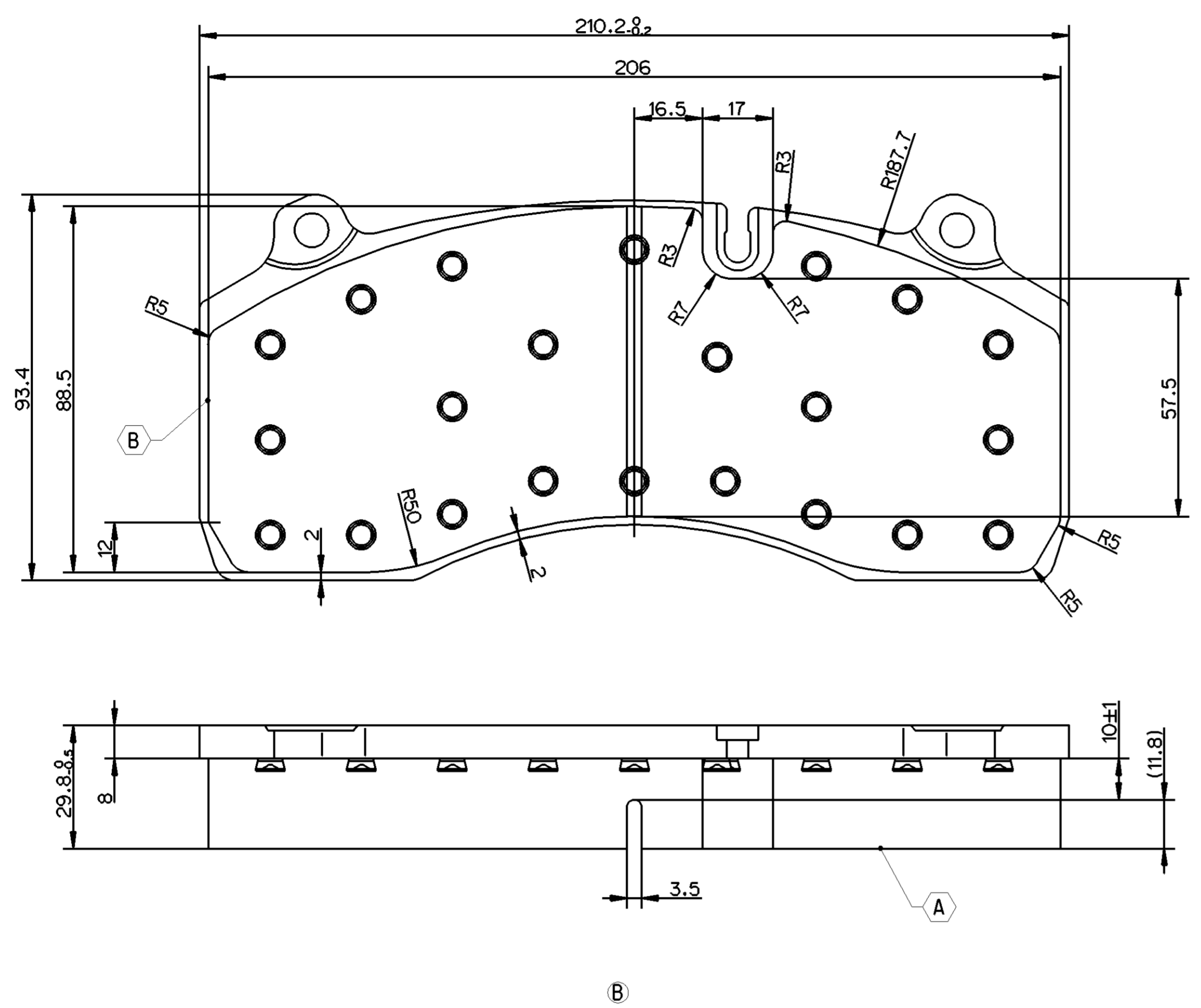


| | |
|--------------------------------|---|
| <- SAFETY CHARACTERISTICS | 0 |
| <- SIGNIFICANT CHARACTERISTICS | 0 |
| <- CUSTOMER INTERFACE | 0 |



DRAFT FOR TEXT AREAS EXPLANATION ONLY. DRAFT CAN BE DIFFERENT TO THE REAL PART.
HEIGHT OF CHARACTERS AND POSITION OF THE MARKING MAY BE ACC. TO THE SHAPE OF THE BACKING PLATE.

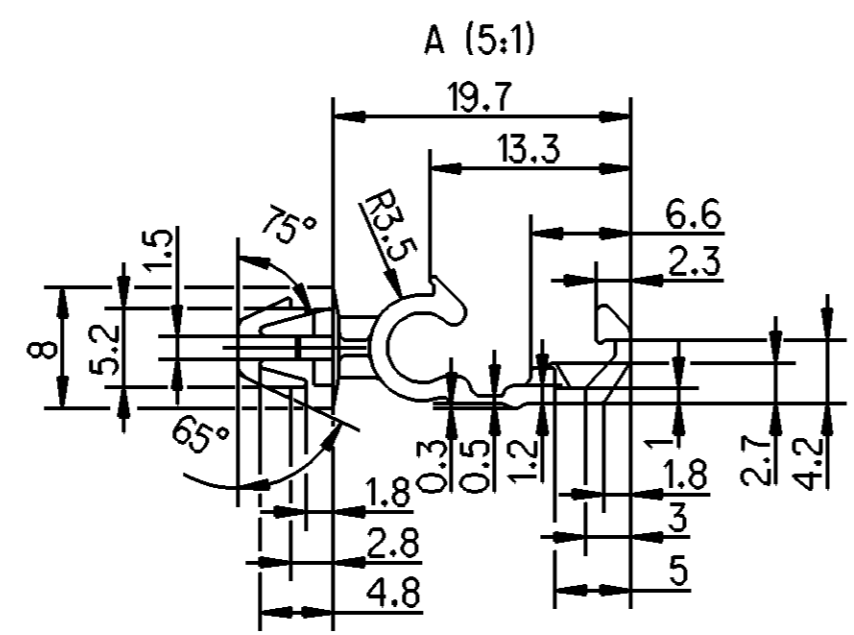
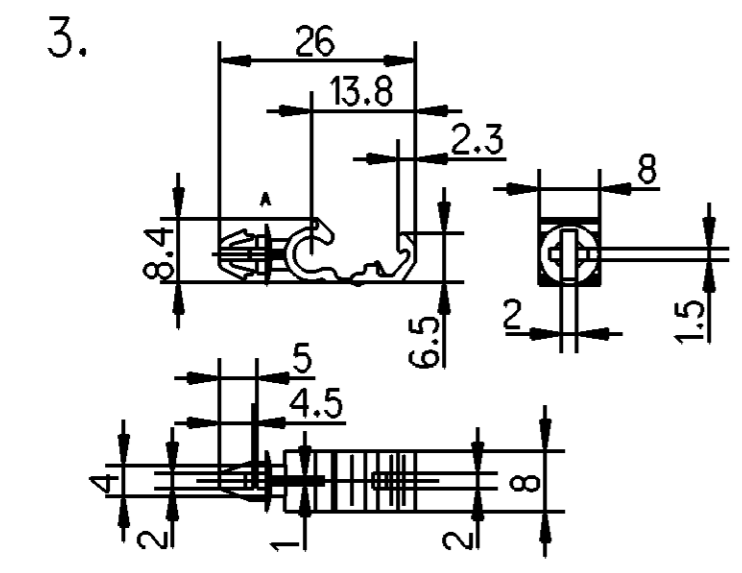
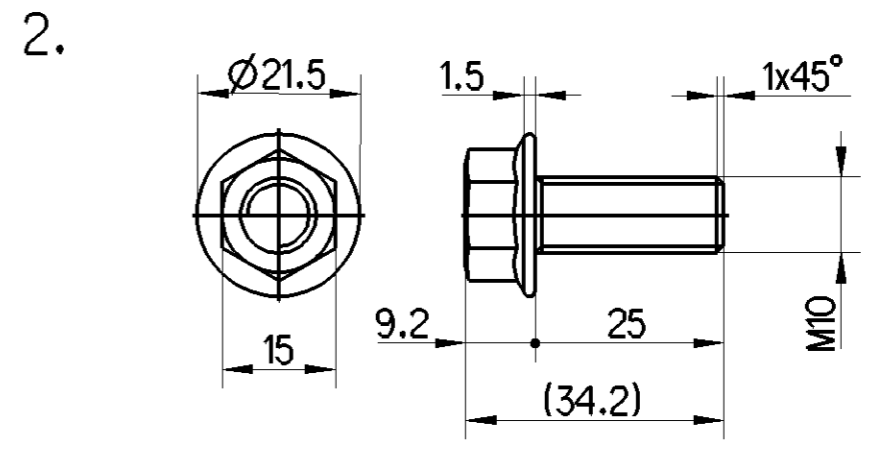
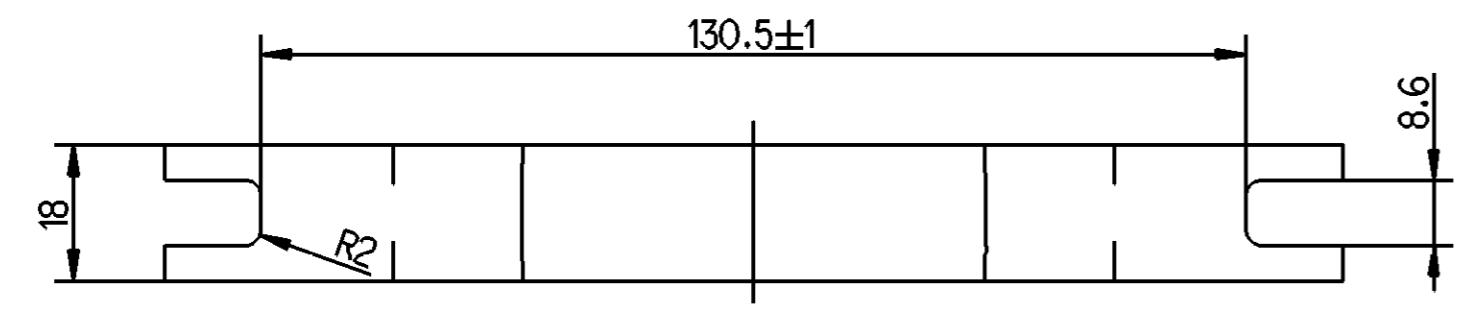
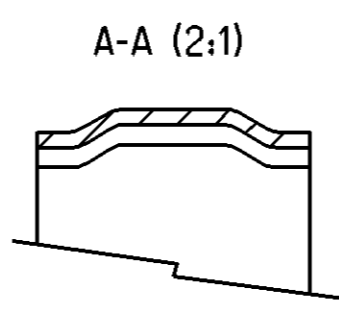
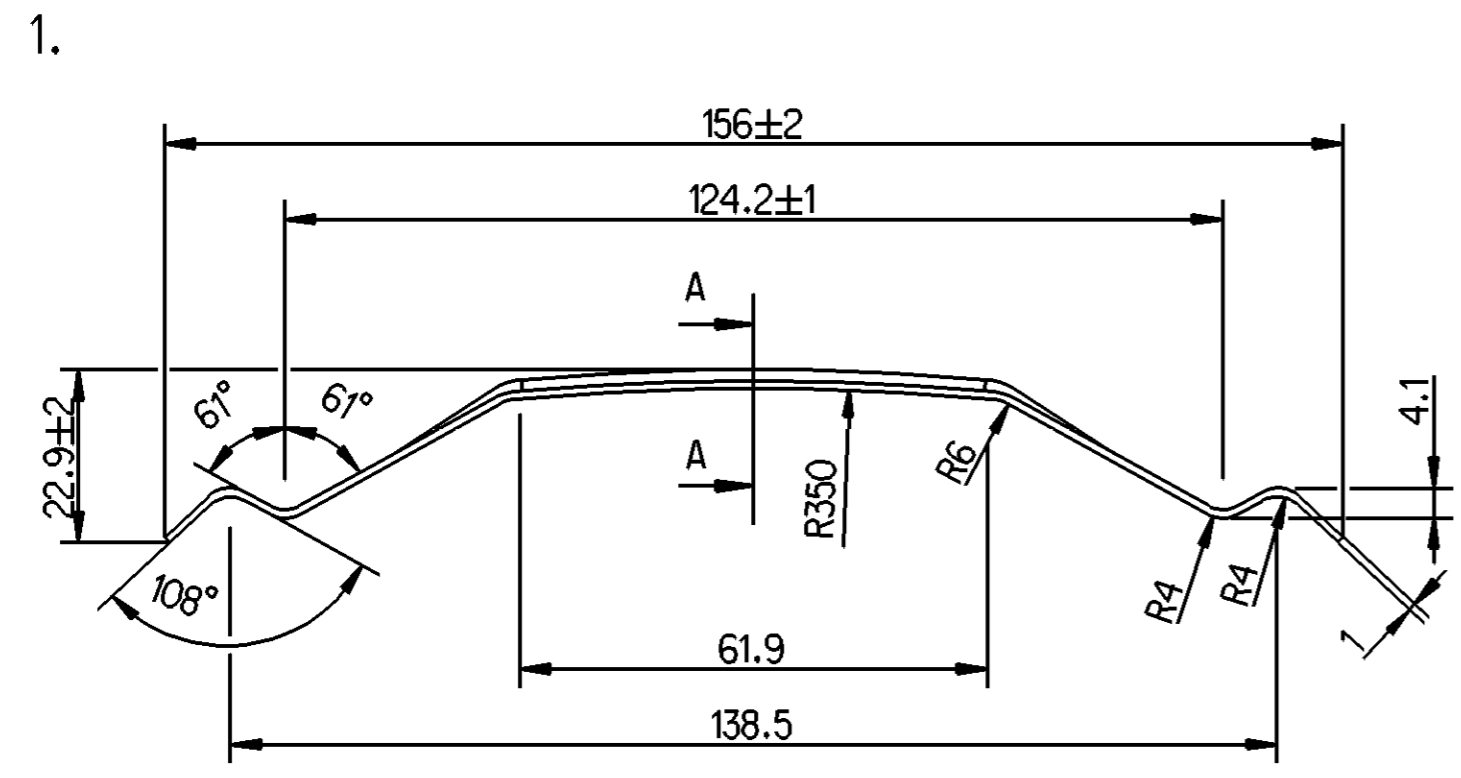
| IDENTIFICATION | DESIGNATION | KIND OF MARKING | COLOUR | SIZE OF TYPES | REMARKS |
|----------------|------------------------|------------------------------|--------------------|---------------------------|---|
| e | PROVIA - LOGO | TAMPON / UV-BRANDING | WHITE | HEIGHT 6±1 | |
| f | PROVIA - SET NUMBER | ^B INKJET PRINTING | WHITE | ^B HEIGHT 2.5±1 | |
| g | FRICTION MATERIAL CODE | ^B INKJET PRINTING | WHITE | HEIGHT 3±1 | |
| h | NUMBER OF WVA | | | | |
| j | NUMBER OF ECE R90 | | | | |
| k | COUNTRY OF ORIGIN | | | | |
| m | TRACEABILITY CODE | ^B STAMPING | | | |
| n | EAC - LOGO | STICKER PRINTING | BLACK | HEIGHT 6 | LOGO TO BE ADDED IN PACKAGING BOX STICKER |
| p | CCC - LOGO | ^B INKJET PRINTING | WHITE | SIZE 8X6.3±1 | |
| r | KC - LOGO | ^B INKJET PRINTING | ^B WHITE | ^B HEIGHT 6±1 | |

- ^A MAX. 10% LACQUER PERMITTED, WITHOUT MOULD SKIN. (ACC. TO FINISHING CODE)
- ^B FIRMLY ATTACHED BURR AROUND PAD CONTOUR PERMITTED, MUST NOT PROTRUDE BEYOND BACKING PLATE

| POS. | NAME | NUMBER OF WVA | QUANTITY |
|------|-----------|---------------|----------|
| 1 | BRAKE PAD | 29181 | 4 |

| | | | |
|--|---------------|------------------------|---------------------------------|
| General Specification: JED-334-1 - Size ISO 14405 LP | | Copyright WABCO® | |
| Further Technical Data: 340 319 001 2 | | Date: 2021-09-28 | Signature: |
| Doc. Code: 014 | Sheet: 1 To 3 | Drawn: Sivaprakasam | Checked: Manivomman |
| General Tolerances JED-261 | | Expert: Thomas Blasing | |
| Range of Nominal Dimensions (± mm) | | | |
| | > 50 | > 180 | > 400 |
| Class 1) | ± 0.5 | ± 1.0 | ± 2.0 |
| Fine | ± 0.5 | ± 1.0 | ± 2.0 |
| Medium | ± 1.0 | ± 2.0 | ± 3.0 |
| Coarse | ± 2.0 | ± 3.5 | ± 5.0 |
| Tapped Holes acc. - | | Mass: 7.76 kg | Scale: 1:1 |
| 1) Tolerance Class Applied Crossmarked | | Size: CAD System | Material No.: 340 319 001 2 |
| | | ECN-No.: 509293 | Date of first issue: 2021-05-17 |
| | | Revision: 10x B | Doc. Code: 005 |
| | | Techn. Resp.: 6928_AM | Language: EN |
| | | | Sheet: 1/2 |

Non è permesso copiare o riprodurre questo documento, né utilizzare il contenuto a fini commerciali o di lucro.
 Toute réimpression ou reproduction de ce document, toute exploitation ou communication de son contenu sont interdites, sauf autorisation écrite préalable de WABCO. Toute utilisation commerciale ou de nature lucrative est formellement interdite.
 Copring of this document and giving it to others and the use or communication of the contents thereof, are forbidden without express written permission of WABCO. Any use for commercial or profit-making purposes is expressly prohibited.
 El contenido de este documento y su divulgación a terceros, así como la explotación o comunicación de su contenido, quedan expresamente prohibidos sin el consentimiento escrito de WABCO. Toda explotación o comunicación de su contenido con fines comerciales o de lucro quedan expresamente prohibidos.
 Alle Rechte für den Fall der Reproduktion oder Verbreitung ohne schriftliche Genehmigung vorbehalten.



| POS. | NAME | QUANTITY |
|------|--------|----------|
| 1 | SPRING | 4 |
| 2 | BOLT | 2 |
| 3 | CLAMP | 2 |

Non e permesso copiare, o terzi o riprodurre questo documento, ne utilizzare il contenuto o renderlo comunque noto a terzi senza autorizzazione esplicita. Ogni infrazione costituisce un evidente abuso e comportera il risarcimento dei danni subiti. E' fatta riserva di tutti i diritti derivanti da brevetti o modelli.

Copying of this document and giving it to others and the use or communication of the contents thereof, are forbidden without express authority. Contention of this restriction will constitute an evident abuse and result in a liability to the payment of damages. All rights are reserved in the event of the grant of patent or registration of a utility model or design. This document is the subject of copyright.

Toute communication ou reproduction de ce document, toute exploitation ou communication de son contenu sont interdites, sauf autorisation expresse. Tout manquement a cette regle constitue un abus evident et expose son auteur au versement de dommages et interets. Tous droits de propriete industrielle reserves, notamment en matiere de brevets et de modesles.

Wiedergabe sowie Vervielfältigung dieser Unterlagen, Verwertung und Mitteilung ihres Inhalts nicht gestattet, soweit nicht ausdrücklich ansonsten, Zuwendungsbedingungen stellen einer offentlichen Missbrauch dar und verpflichtet zu Schadensersatz. Alle Rechte hier den Fall der Patenterteilung oder Gebrauchsmuster-Eintragung vorbehalten.

| | | | | | |
|---|--------------------------------------|------------------|------------|---|-------------|
| General Specification: JED-334-1, Size ISO 14405 LP | | Copyright WABCO® | | ProVia | |
| Further Technical Data: 340 319 001 2 | | Date | Signature | | |
| Doc. Code: 014 Sheet: 1 To 3 | | 2021-09-28 | Sivaprosom | KIT: BRAKE PAD | |
| General Tolerances JED-261 | | 2021-09-28 | Manivanon | | |
| Range of Nominal Dimensions (± mm) | | Expert | | Date of first issue: 2021-05-17 | |
| Class | 1) ≤ 50 > 50 ≤ 180 > 180 ≤ 400 > 400 | Thom Bilting | | Doc. Code Language Sheet | |
| Fine | 0.5 1.0 1.5 2.0 | Mass | Scale | Material No. | |
| Medium | 1.0 2.0 3.0 4.0 | 7.76 | 1:1 | 340 319 001 2 | |
| Coarse | 2.0 3.5 5.0 6.5 | kg | (2:1,5:1) | 005 EN 2/2 | |
| Tapped Holes acc. - | | Size | CAD System | ECN-No. Revision Techn. Resp. Replacement for | |
| 1) Tolerance Class Applied Crossmarked | | A 2 | CREO | 509293 | - B 6928_AM |