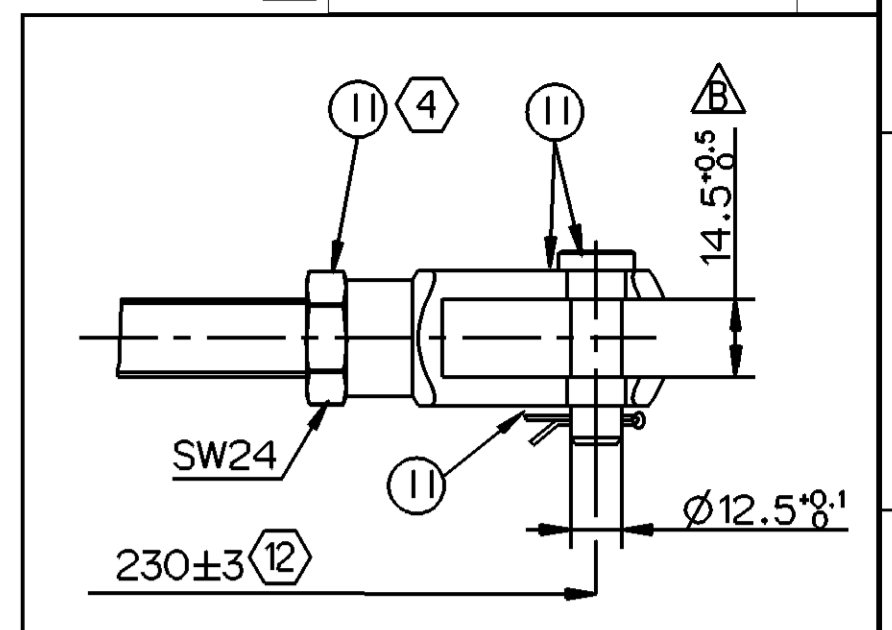
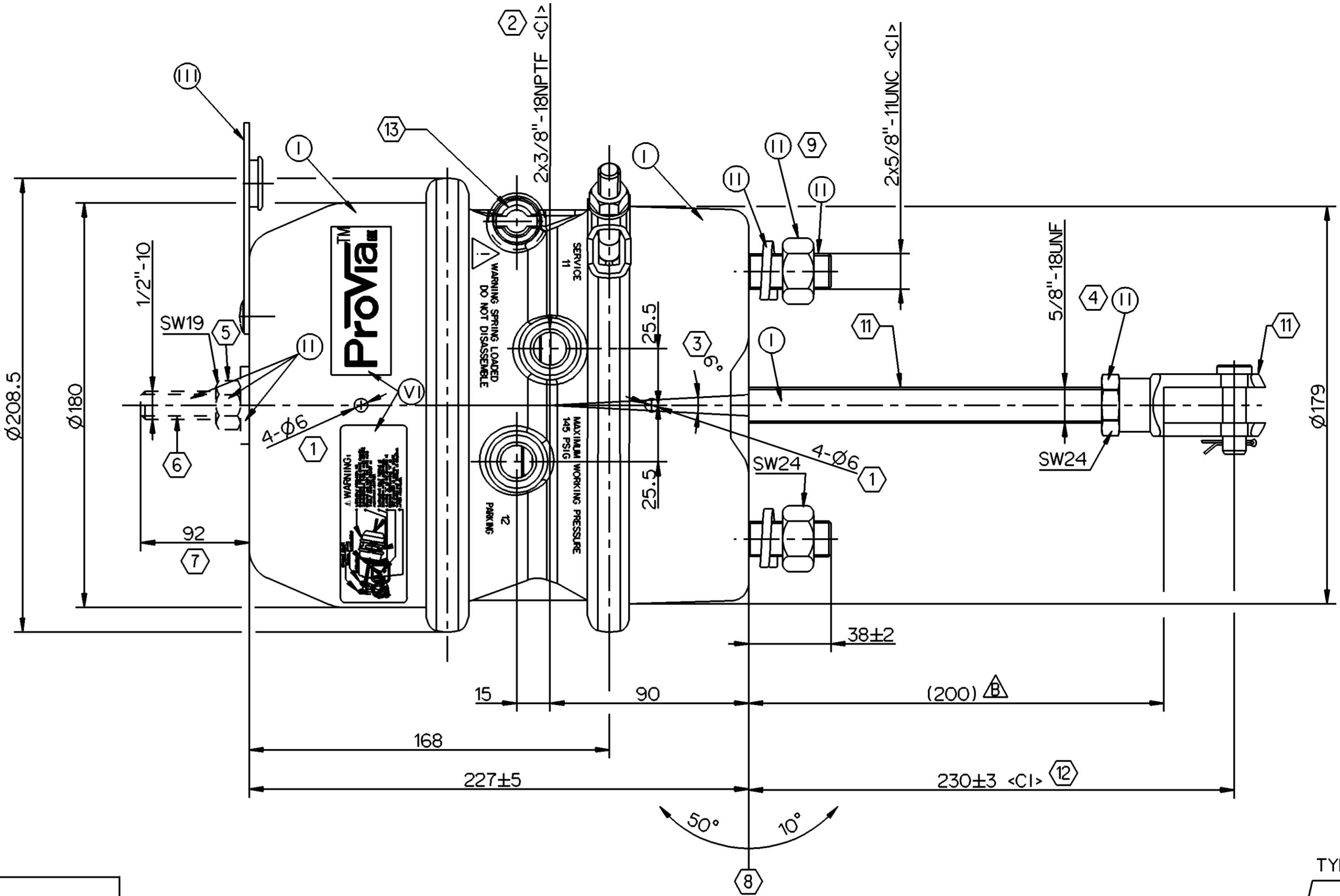
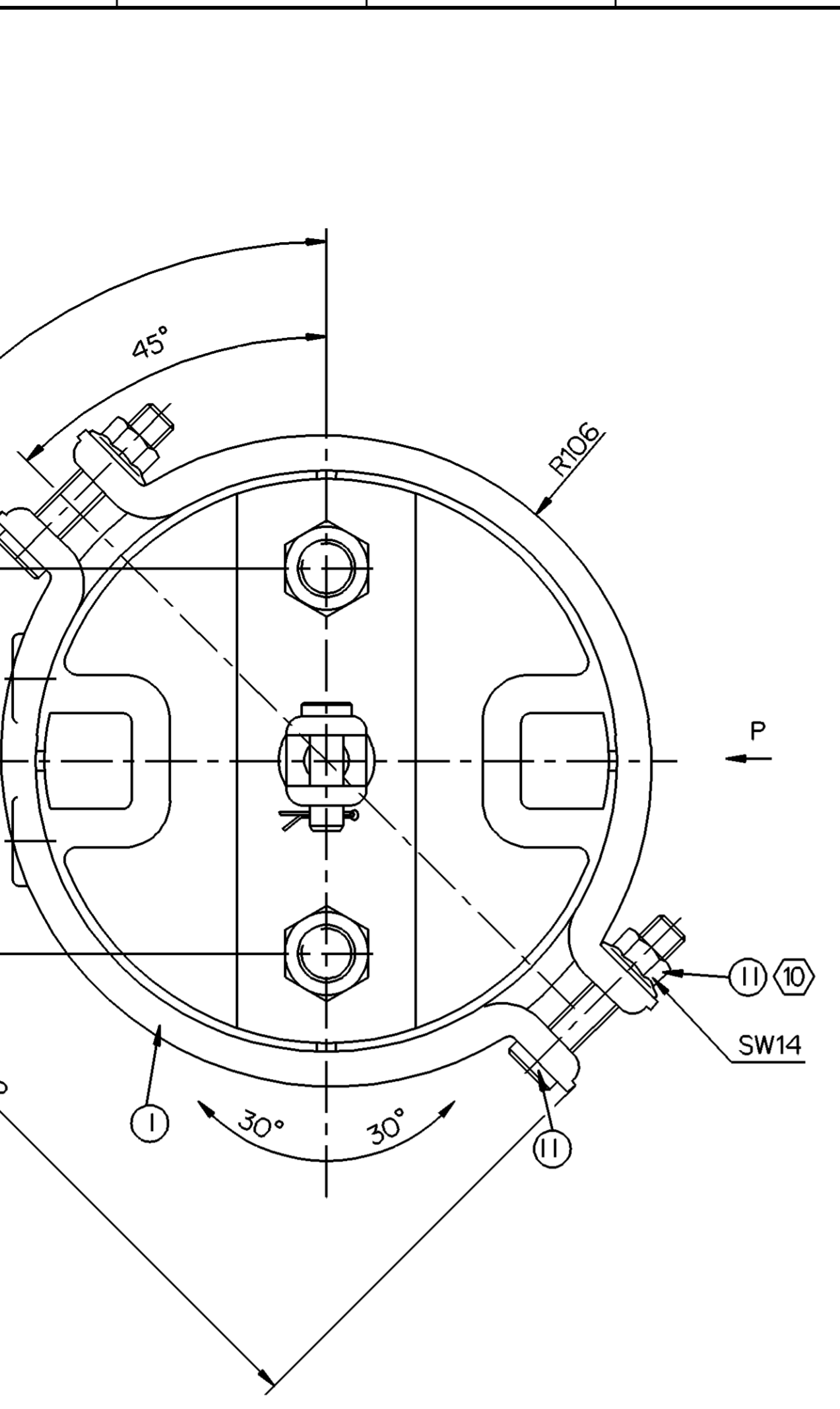
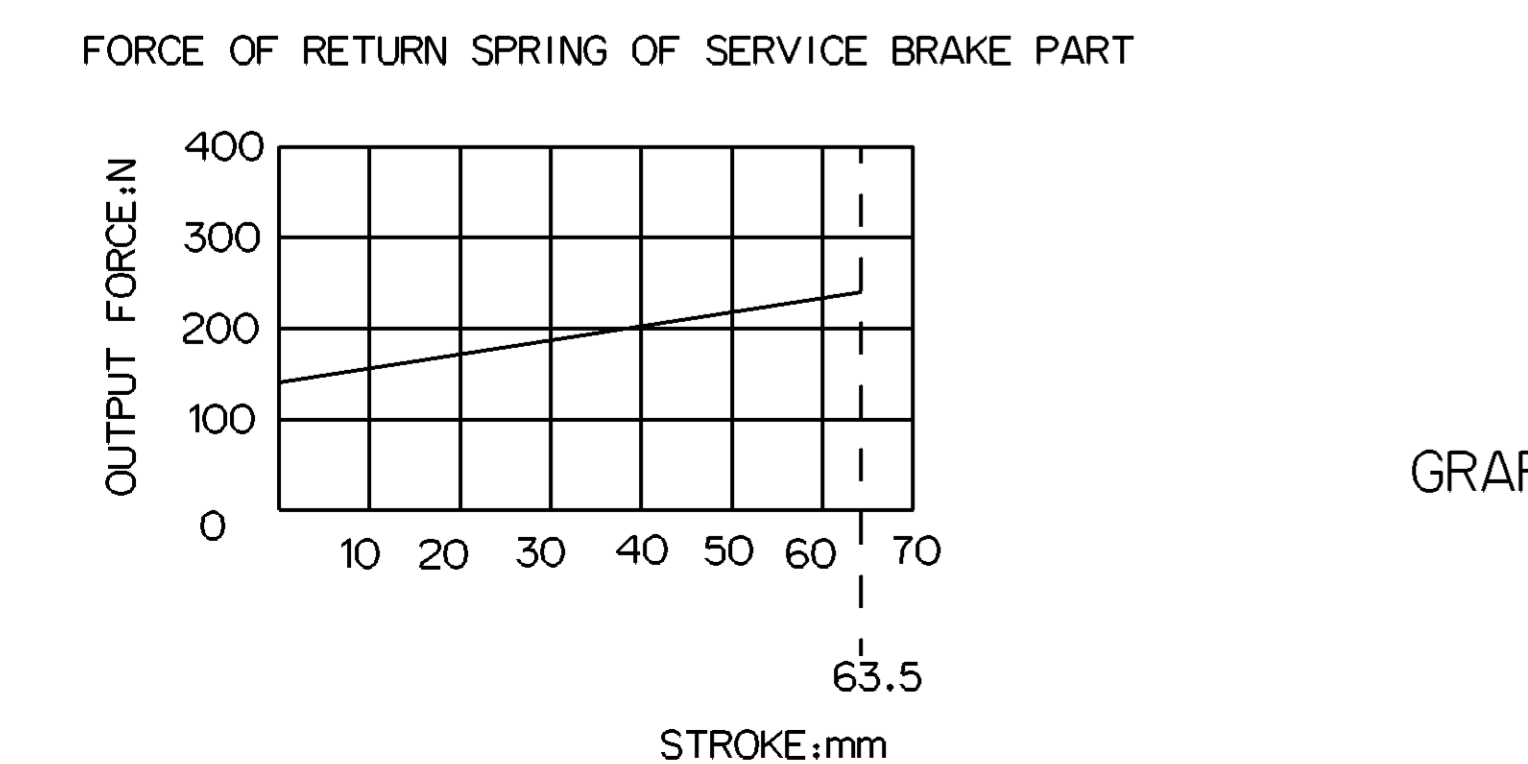
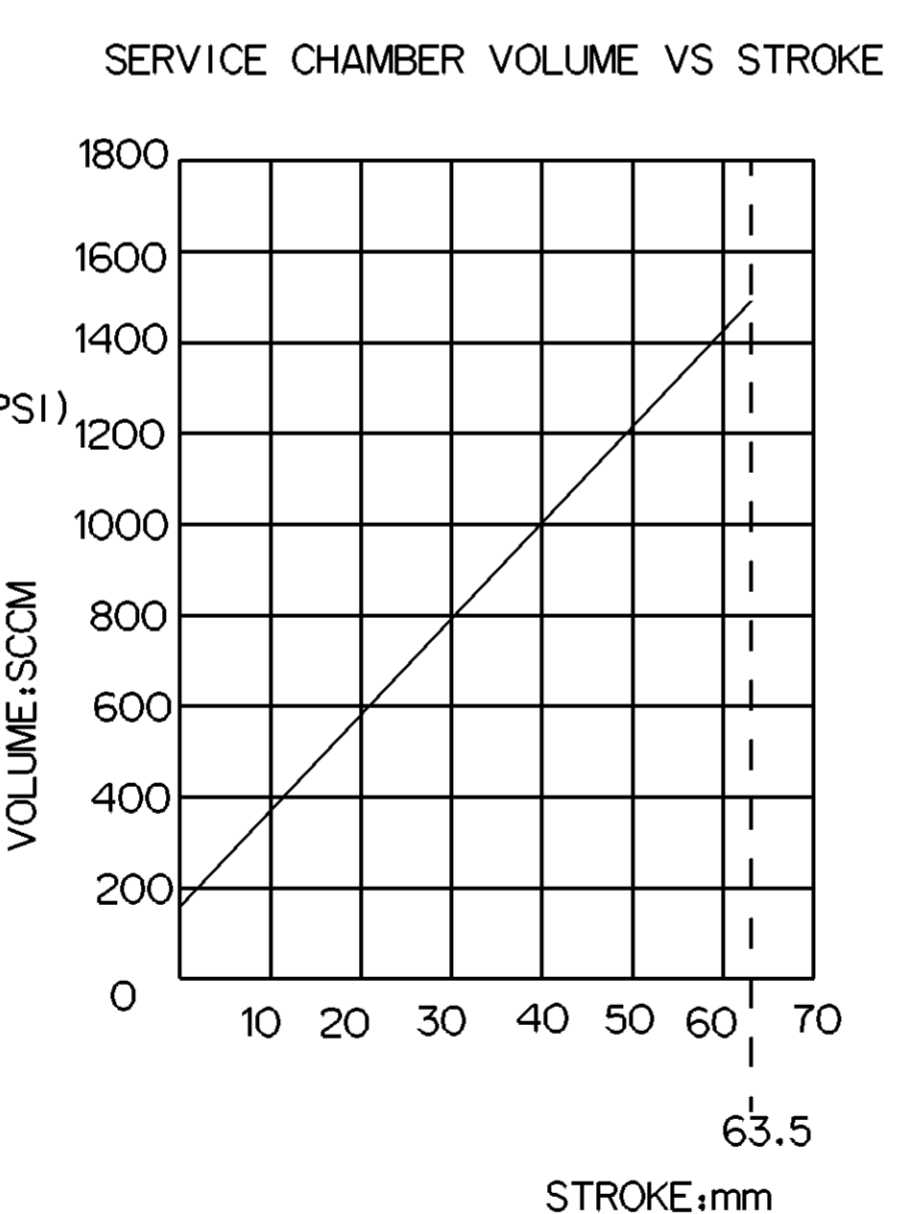
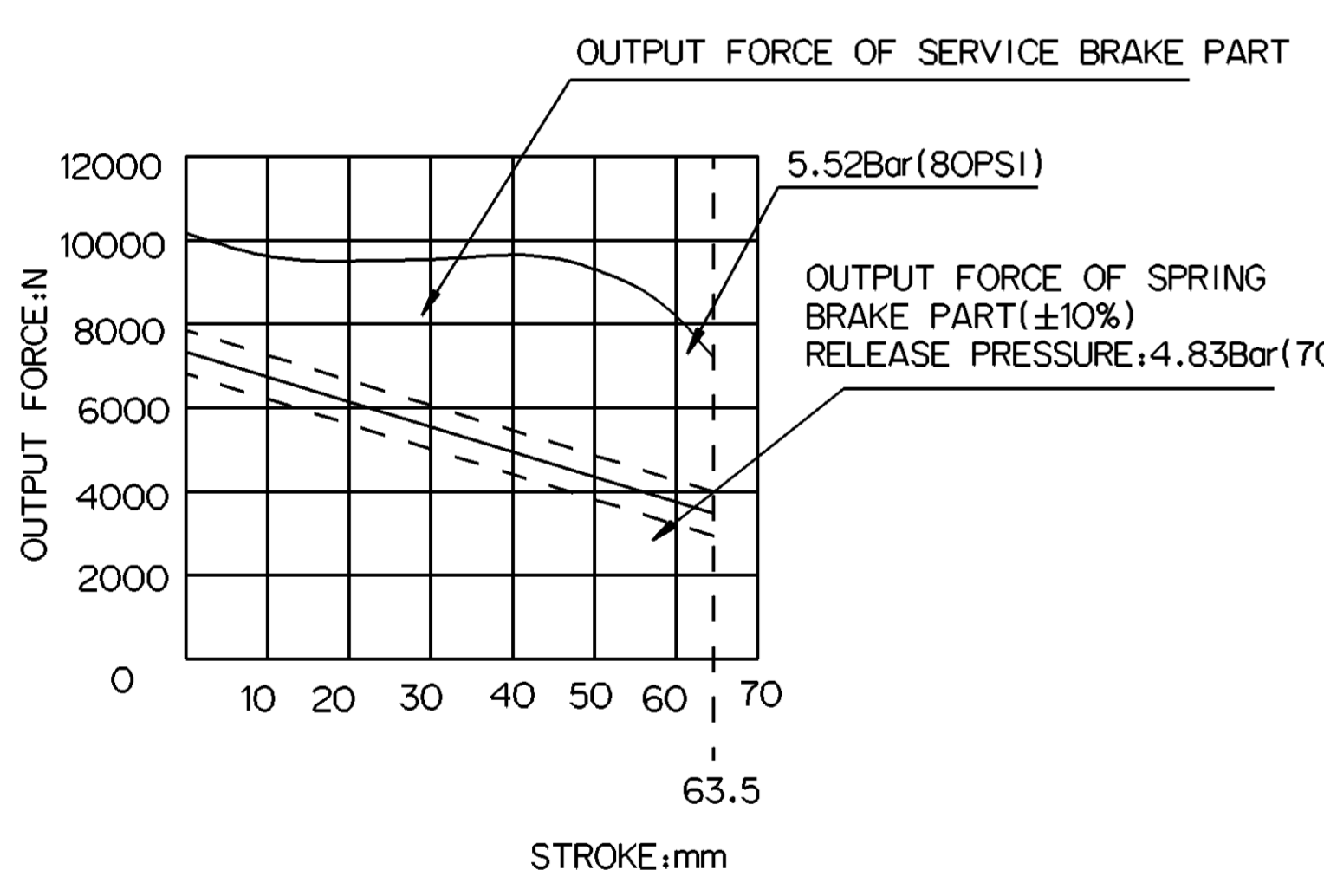


EXTERNAL SURFACE
I ELECTRO-PAINTING
II ZINC PLATED WITH CR6+ FREE
III HARD POLYETHYLENE
IV STICKER



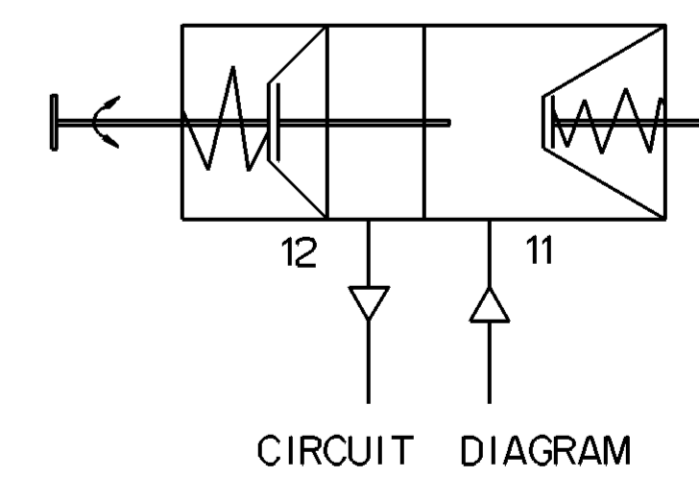
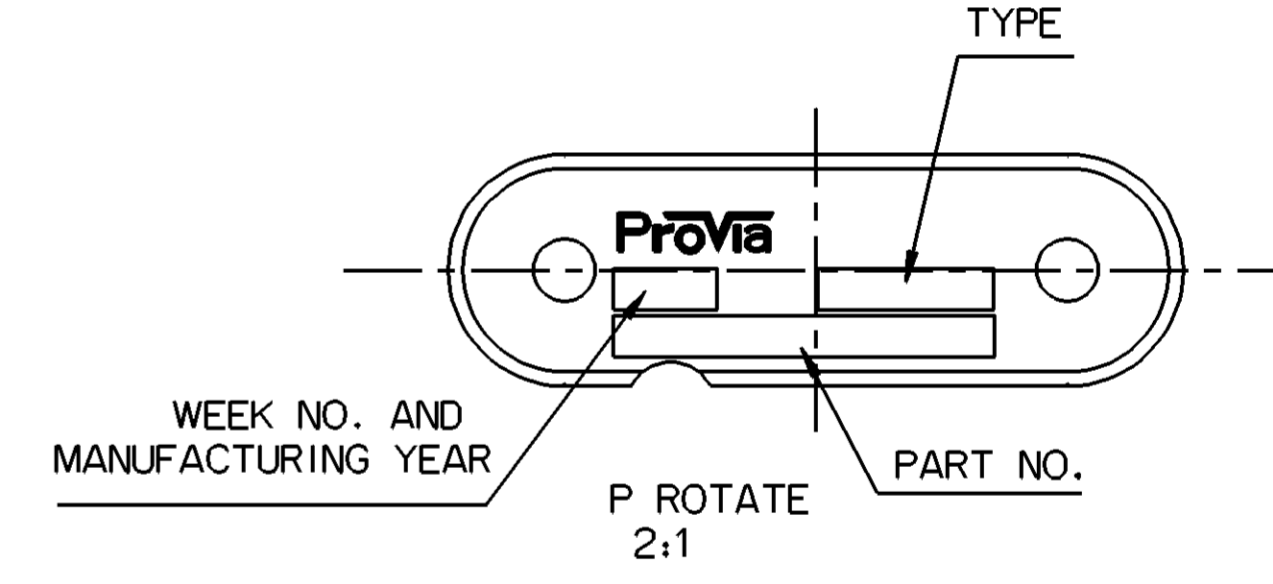
<P> SAFETY CHARACTERISTICS	0
<S> SIGNIFICANT CHARACTERISTICS	0
<C1> CUSTOMER INTERFACE	4

Non è permesso copiare o riprodurre questo documento, né utilizzare il contenuto in modo commerciale, senza il permesso scritto dalla ProVia. È vietata espressamente la ristampa o l'uso non autorizzato di questo documento. Toute réimpression ou utilisation non autorisée sans la permission écrite de la ProVia est formellement interdite. Toute utilisation non autorisée sera considérée comme acte de contrefaçon et sera poursuivie en justice.



GRAPHS FOR INFORMATION ONLY

- ① OPEN BREATHER HOLE.DEFLECTION ANGLE $\pm 30^\circ$
- ② TORQUE:45±5Nm;THREAD PLUG IS INSTALLED
- ③ DEFLECTION: MAX 6°AT 0mm STROKE
- ④ TORQUE:80±10Nm
- ⑤ TORQUE:MAX 25Nm
- ⑥ CONDITION AS SUPPLIED:POWER SPRING IS NOT COMPRESSED
- ⑦ SIZE WHEN SPRING COMPRESSED
- ⑧ PARTIAL DEFLECTION ANGLE ALLOWED
- ⑨ TORQUE:220±20Nm
- ⑩ TORQUE:≥25Nm
- ⑪ DURING DELIVERY CONDITION YOKE WILL BE ASSEMBLED WITH PUSH ROD WITH LIMITED TORQUE. YOKE NEED TO BE TIGHTENED WITH TORQUE OF 80±10Nm BY CUSTOMER DURING INSTALLATION IN VEHICLE.
- ⑫ STAND-OUT DIMENSION AFTER ASSEMBLING YOKE
- ⑬ TIGHTENING TORQUE M=20±5Nm



- TECHNICAL REQUIREMENT:
- STROKE : PARKING CHAMBER: ≥63.5mm(2.5")
SERVICE CHAMBER: ≥63.5mm(2.5")
 - WORKING PRESSURE:APPLIED PRESSURE:8Bar(116PSI)
MAX.WORKING PRESSURE:10Bar(145PSI)
 - WORKING TEMPERATURE:-40°C...+80°C(-40°F...+176°F)
 - THE DRAWING IS AT CAGED CONDITION,THE PARKING CHAMBER WILL BE AT UNCAGED CONDITION DURING SHIPMENT

General Specifications: ISO 8015, JED-334-1, Size ISO 14405 LP		Copyright Zr*	
Further Technical Data: PRO 000 006 O		Date	Signature
Doc. Code: 035	Sheet: 1 To 7	2023-05-09	Murugan
General Tolerances JED-261		Checked	Manivannan
Range of Nominal Dimensions (± mm)			
Class	1)	≤ 50	> 50 > 180
		±0.5	±1.5
		±1	±2
		±2	±4
		±3	±6.5
		±4	
Dimensions in mm			
Mass	Scale	Material No.	
9.0	NTS	PRO 000 017 0	
Size	CAD System	EDN-No.	Revision
A 1	CREO	514015	5x B
Tapped Holes acc. -		Techn. Resp.	Replacement for
1) Tolerance Class Applied Crossmarked		5420_AM	