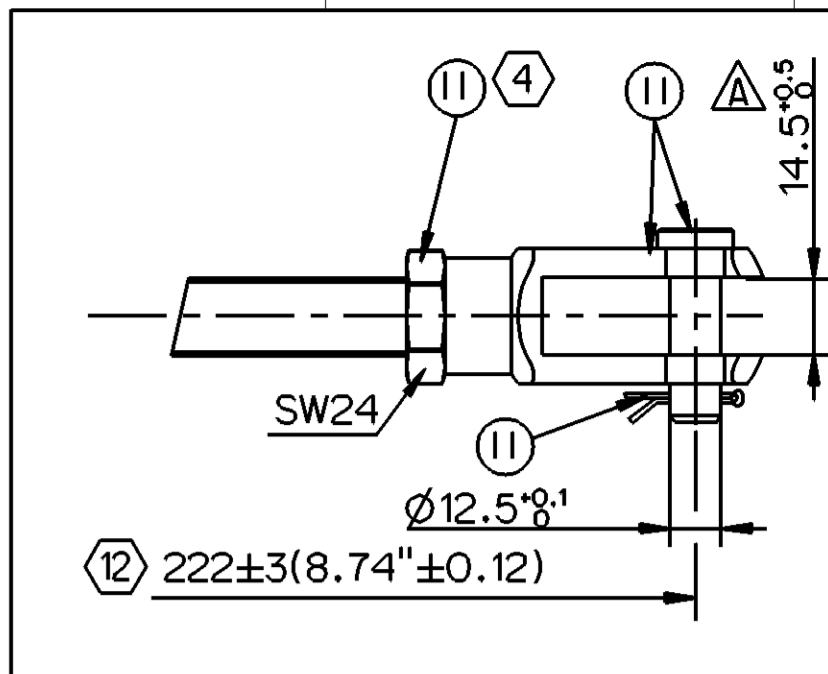
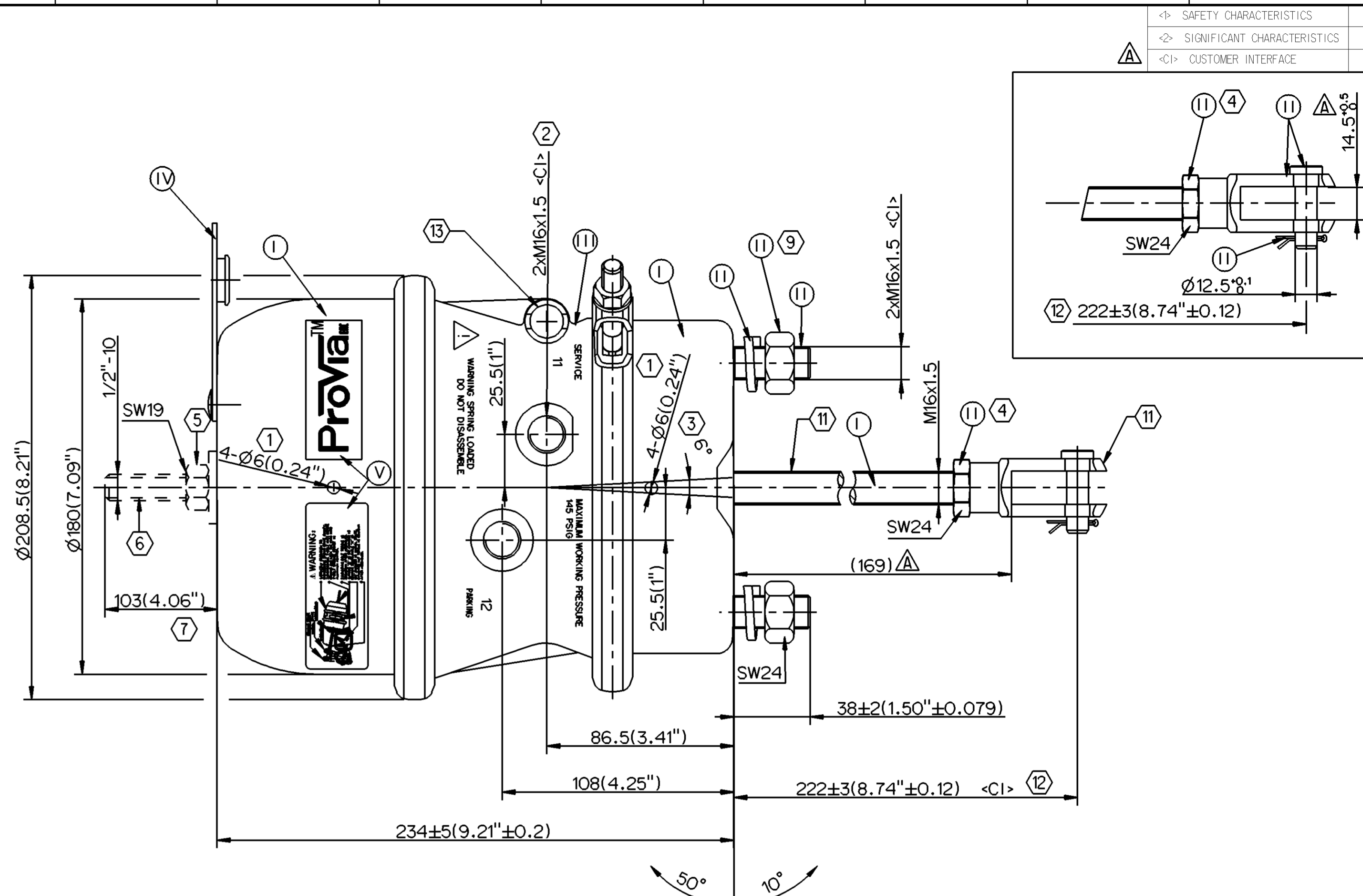
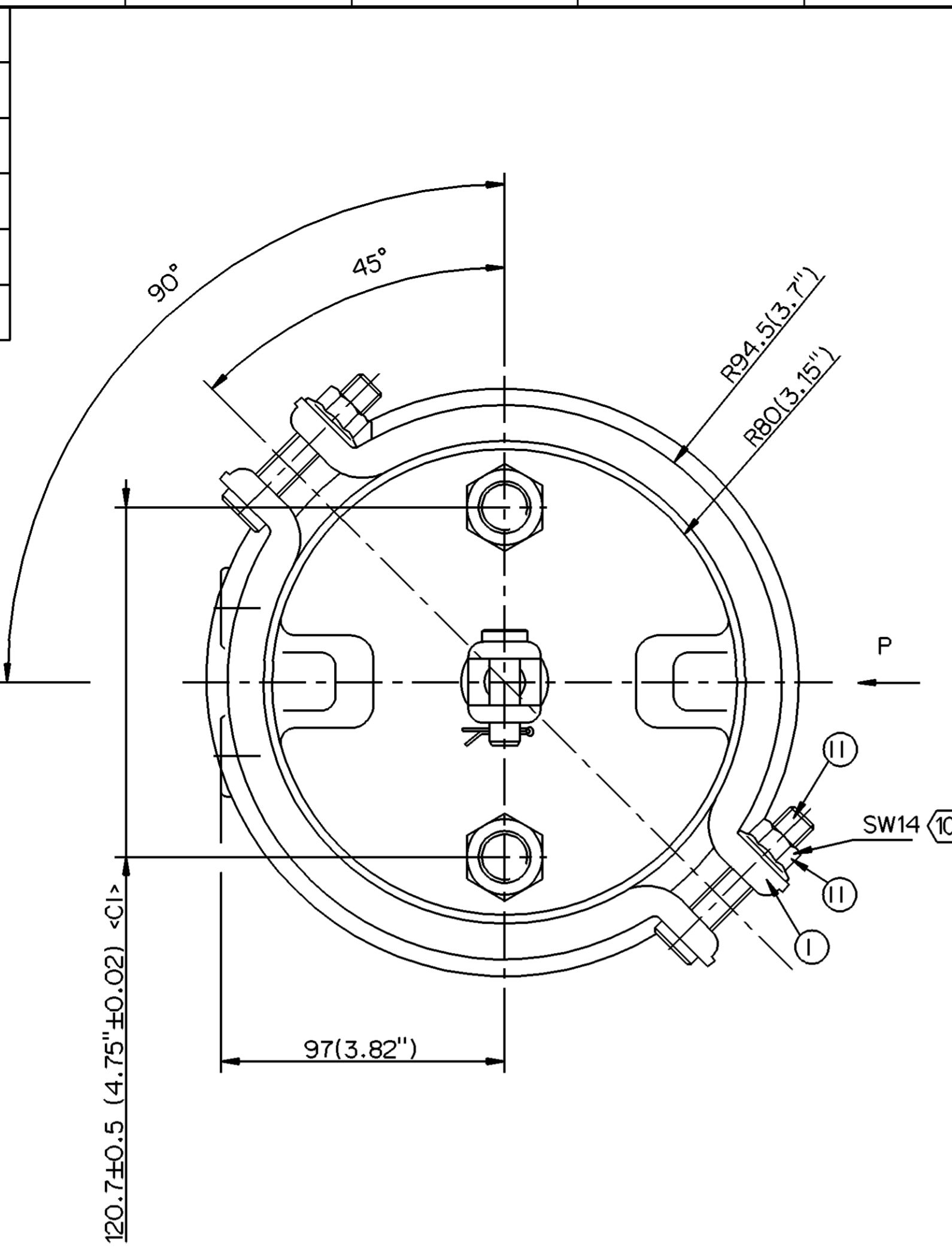
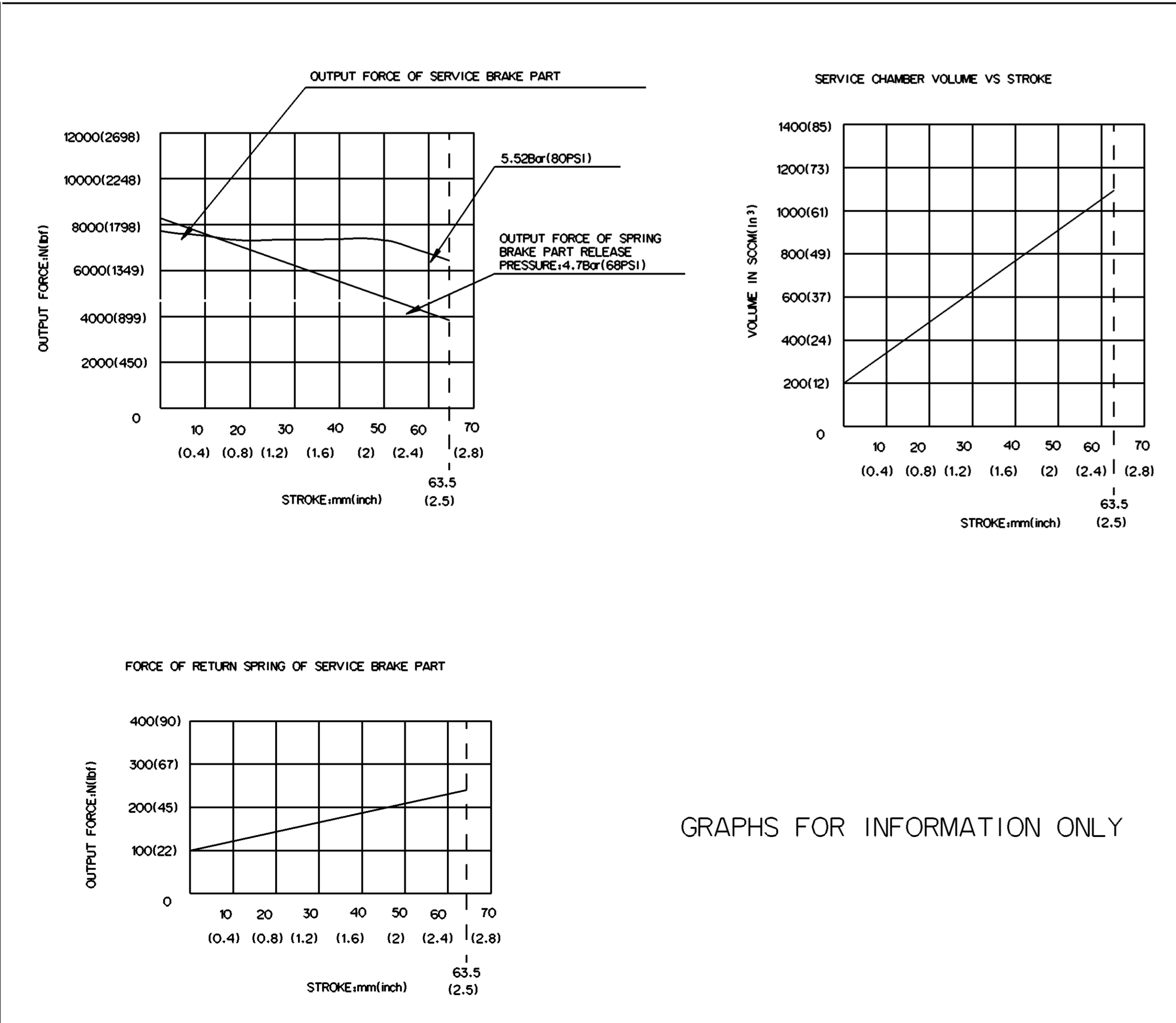


EXTERNAL SURFACE
I ELECTRO-PAINTING
II ZINC PLATED WITH CR6+ FREE
III SURFACE OXIDIZATION
IV HARD POLYETHYLENE
V STICKER



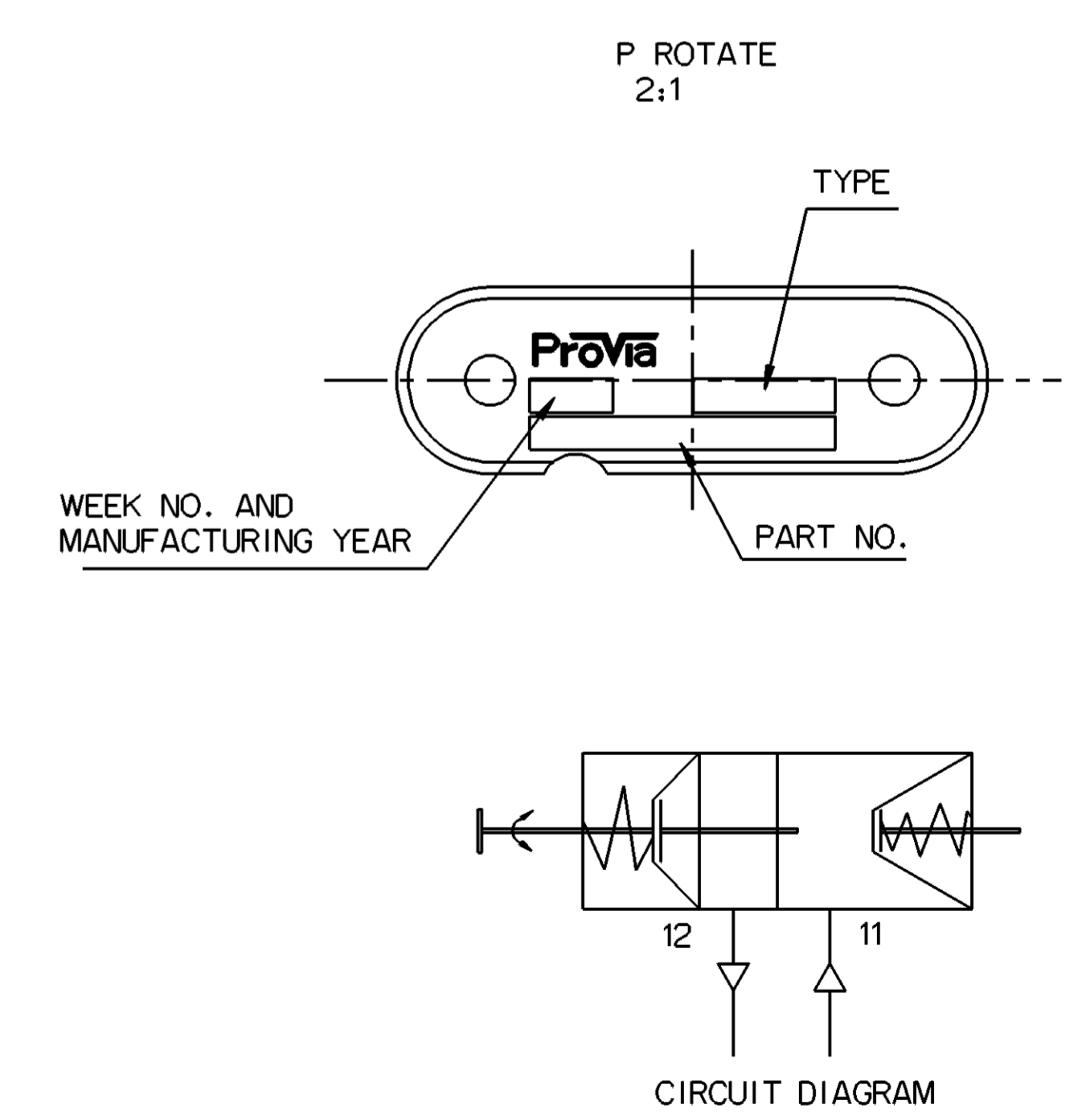
Non è permesso copiare o riprodurre questo documento, né utilizzare il contenuto o riprodurre, comunque, con o senza permesso, i dati o le immagini contenute in esso, né utilizzare i dati o le immagini per scopi diversi da quelli per i quali sono stati forniti. È vietata espressamente la ristampa o l'uso non autorizzato di questo documento. Toute réimpression ou reproduction de ce document, sans autorisation écrite préalable, est formellement interdite. Toute utilisation non autorisée des données ou des images contenues dans ce document est formellement interdite. All rights reserved. No part of this document may be reproduced or transmitted in any form or by any means electronic or mechanical, including photocopying and recording, or by any information storage or retrieval system, without prior written permission in writing from the copyright owner.



- ① OPEN BREATHER HOLE, DEFLECTION ANGLE ±3°
- ② TORQUE: 45±5Nm
- ③ DEFLECTION: MAX 6° AT 0mm STROKE
- ④ TORQUE: 80±10Nm
- ⑤ TORQUE: MAX 25Nm
- ⑥ CONDITION AS SUPPLIED: POWER SPRING IS NOT COMPRESSED
- ⑦ SIZE WHEN SPRING COMPRESSED
- ⑧ PARTIAL DEFLECTION ANGLE ALLOWED
- ⑨ TORQUE: 220±20Nm
- ⑩ TORQUE: ≥25Nm
- ⑪ DURING DELIVERY CONDITION YOKE WILL BE ASSEMBLED WITH PUSH ROD WITH LIMITED TORQUE. YOKE NEED TO BE TIGHTENED WITH TORQUE OF 80±10Nm BY CUSTOMER DURING INSTALLATION IN VEHICLE.
- ⑫ STAND-OUT DIMENSION AFTER ASSEMBLING YOKE
- ⑬ TIGHTENING TORQUE M=20±5Nm

TECHNICAL REQUIREMENT:

- STROKE: PARKING CHAMBER: ≥63.5mm (2.5")  
SERVICE CHAMBER: ≥63.5mm (2.5")
- WORKING PRESSURE: APPLIED PRESSURE 8Bar (116PSI);  
MAX. WORKING PRESSURE: 10Bar (145PSI)
- WORKING TEMPERATURE: -40°C...+80°C (-40°F...+176°F)
- THE DRAWING IS AT CAGED CONDITION. THE PARKING CHAMBER WILL BE AT UNCAGED CONDITION DURING SHIPMENT



General Specifications: ISO 8015, JED-334-1, Size ISO 14405 LP		Copyright zfr*	
Further Technical Data: PRO 392 202 0		Date	Signature
Doc. Code: O35	Sheet: 1 To 2	2023-05-09	Murugan
General Tolerances: JED-261		Checked	Manivannan
Range of Nominal Dimensions (± mm)		Dimensions in mm	
Class	1) ≤ 50	2) > 50 & ≤ 180	3) > 180 & ≤ 400
Fine	±0.5	±1	±1.5
Medium	±1	±2	±3
Coarse	±2	±3.5	±5
Tapped Holes acc.:		Material No.	
1) Tolerance Class Applied Crossmarked		PRO 000 018 0	
Mass		Date of first issue: 2023-05-09	
8.5 kg		Doc. Code Language Sheet	
Size CAD System		005 EN 1/1	
A 1 CREO		Revision Techn. Resp. Replacement for	
514015 5x A 5420_AM		-	