

MATERIAL AND SURFACE PROTECTION	
I	JED-029 M1 / C JED-259-3
II	PBT-GF black JED-352-1
III	JED-051 M4 / JED-739-3
IV	POM black JED-005 M1
V	NBR JED-235
VI	AL JED-077 M1 / JED-007-1
VII	PET-GF black JED-357-1
VIII	Fe JED-048 M1 / phos. / JED-731-6
IX	45h / JED-256-1

MEDIUM: AIR
MEDIUM: LUFT
FLUIDE: AIR
FLUIDO: ARIA

THERMAL RANGE OF APPLICATION:
THERMISCHER ANWENDUNGSBEREICH: -40° ... +80°C
GAMME D' APPLICATION THERMIQUE:
CAMPO DI APPLICAZIONE TERMICA:

NOMINAL DIAMETER
NENNWEITE
DIAMETRE NOMINAL
DIAMETRO NOMINALE

SUPPLY:
BELUEFTUNG:
ALIMENTATION:
ALIMENTAZIONE: Ø10

EXHAUST:
ENTLUEFTUNG:
ECCHEPPAMENTO:
SCARICO: Ø4

INSTALLATION POSITION AS DRAWN
EINBAULAGE WIE GEZEICHNET
POSITION D' INSTALLATION SUIVANT DESSIN
POSIZIONE DI MONTAGGIO COME DISEGNATO

±45° PROTECTED
GESCHÜTZT ±90°
PROTEGES
PROTETTI

INLET PRESSURE
EINGESTEUERTER DRUCK
PRESSION D' ALIMENTATION
PRESSIONE DI ALIMENTAZIONE

pe max.=20bar

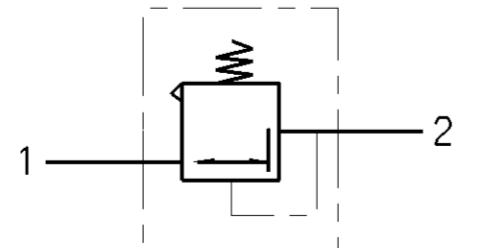
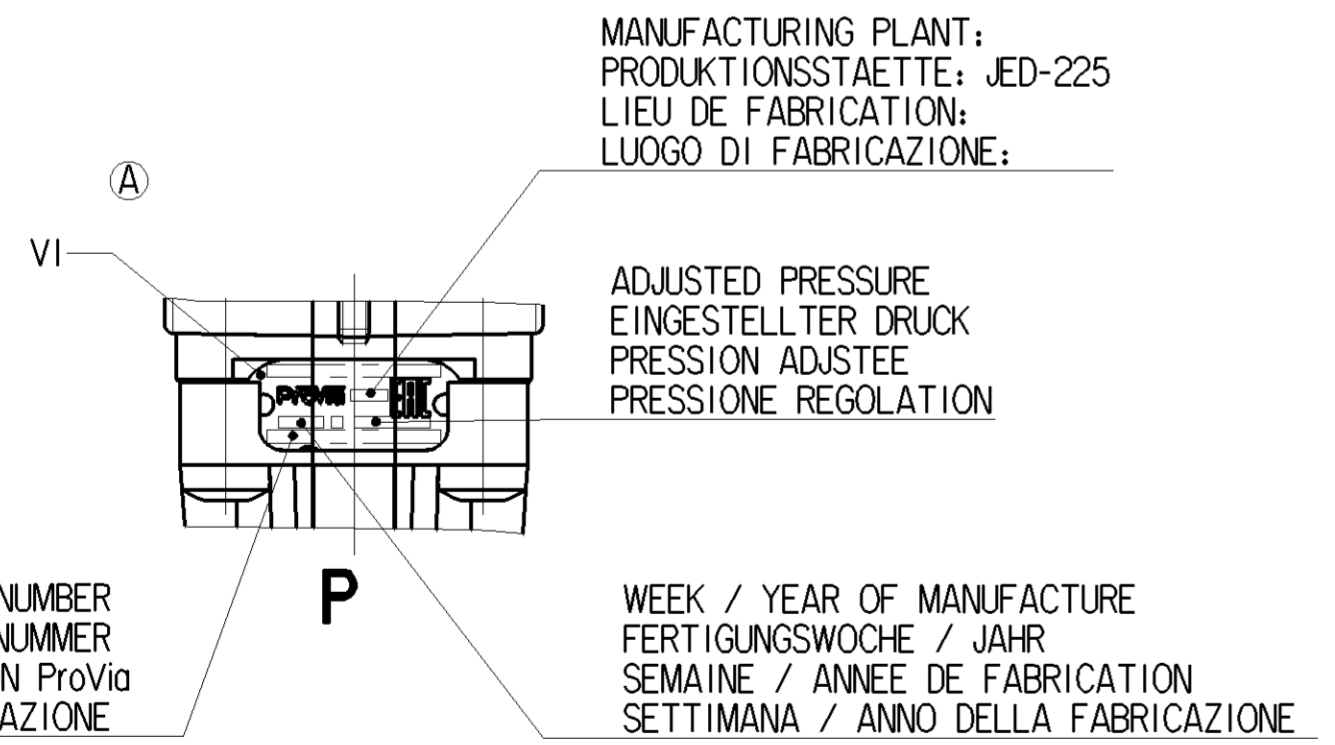
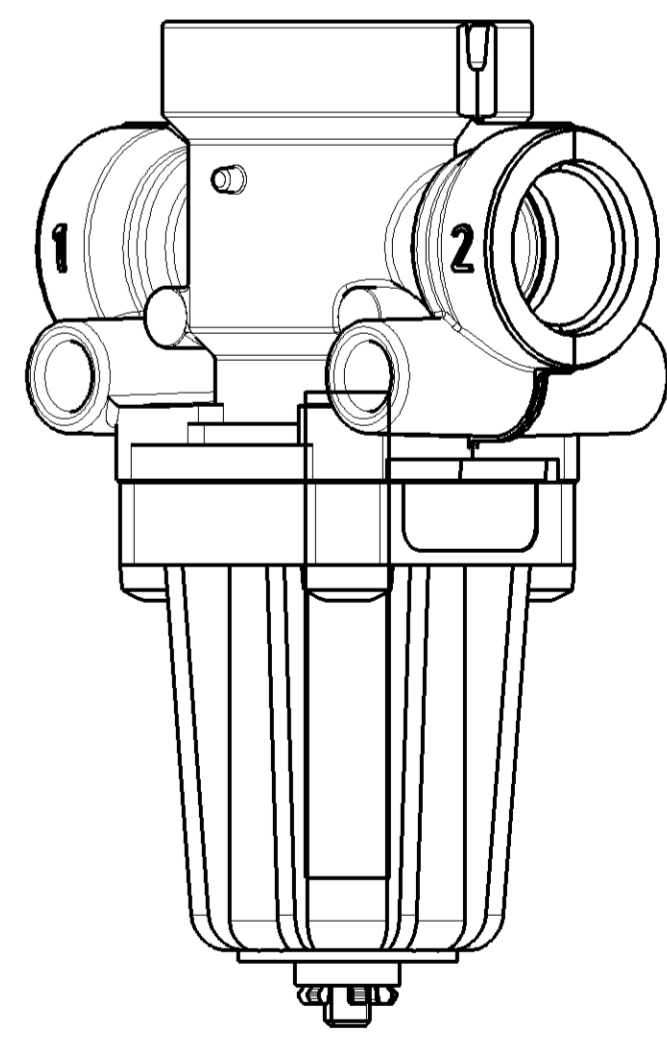
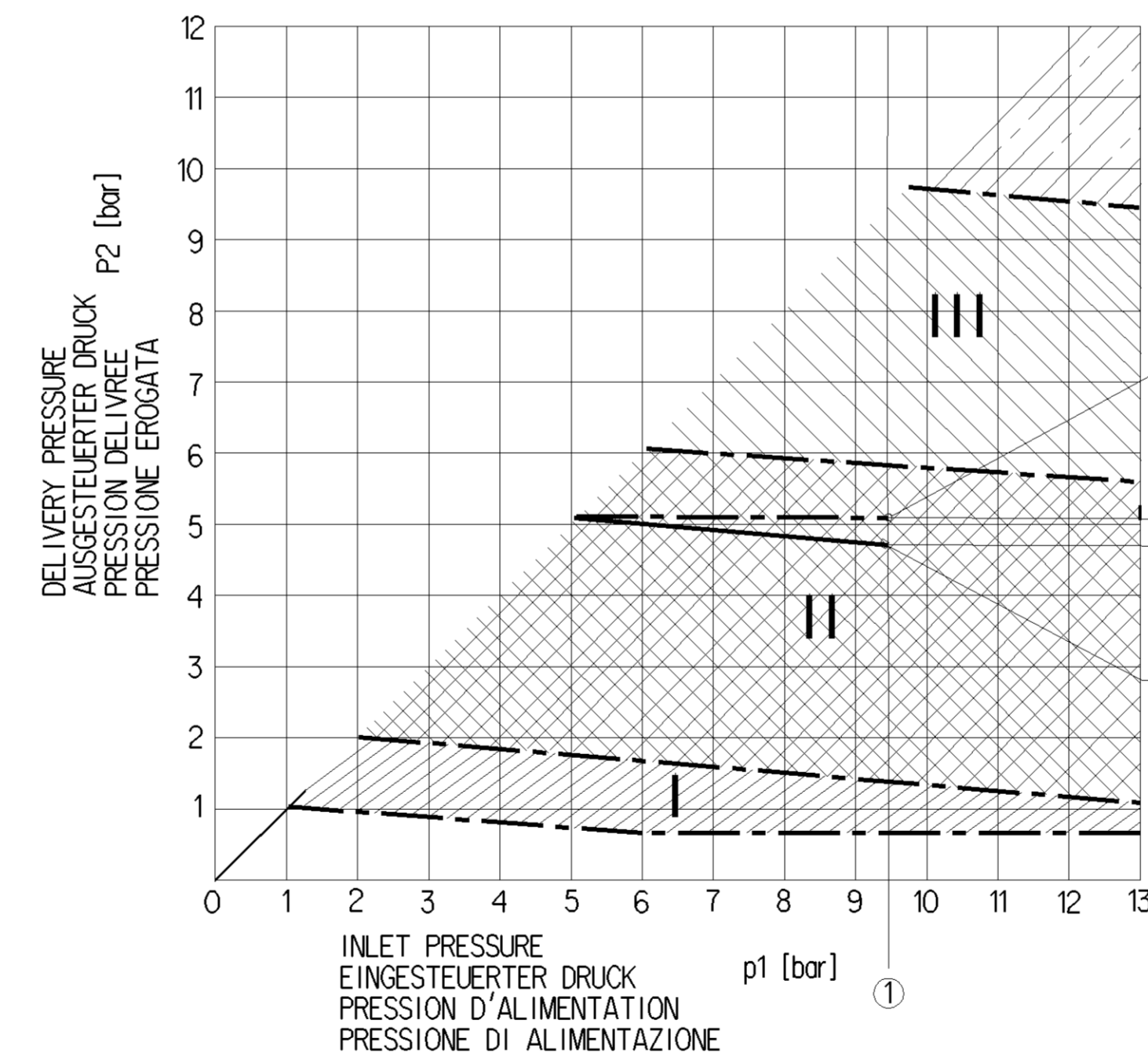
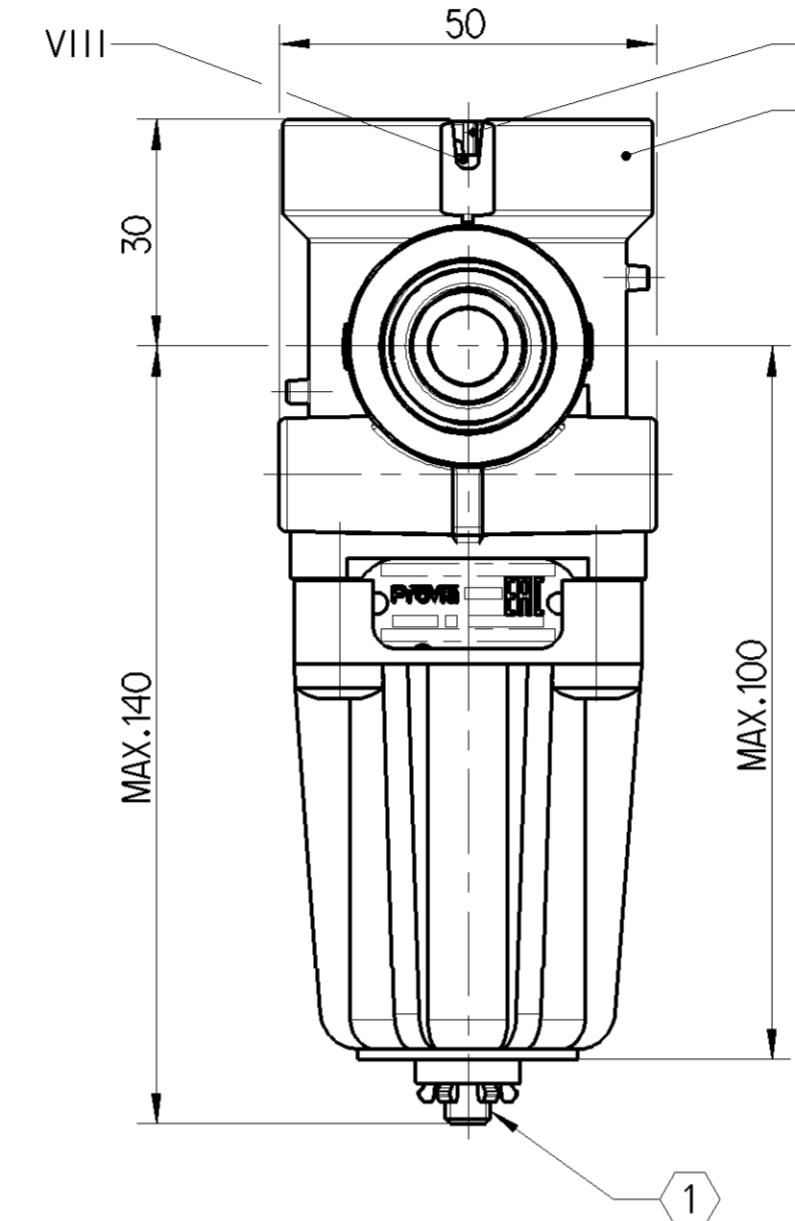
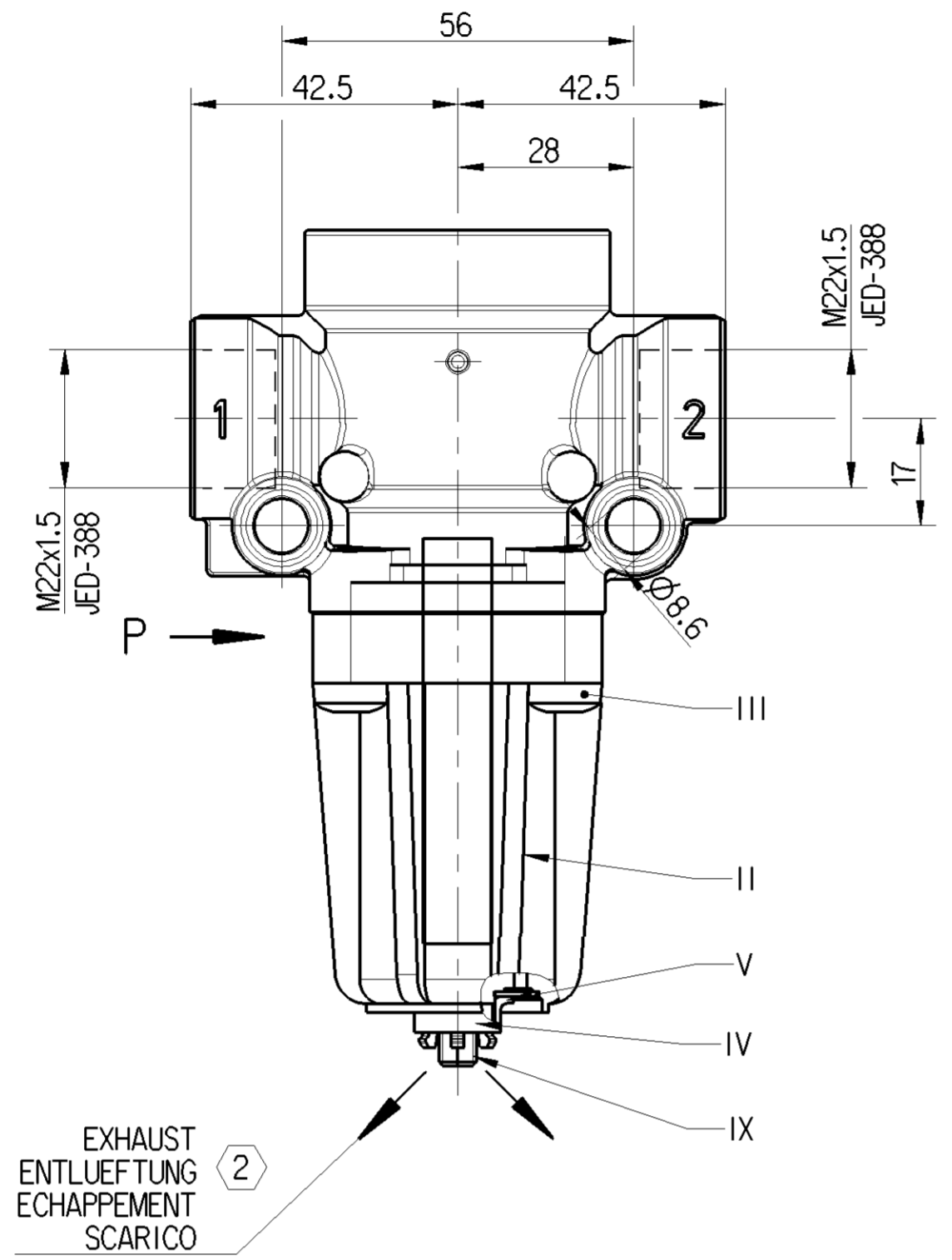
DELIVERY PRESSURE
AUSGESTEUERTER DRUCK
PRESSION DELIVREE
PRESSIONE EROGATA

TORQUE FOR CONNECTIONS:
ANZUGSMOMENT FUER EINSCHRAUBSTUTZEN:
COUPLE DE SERRAGE DES RACCORDS:
COPPIA DI SERRAGGIO DEI RACCORDI:

M22x1.5 : Mmax.=53 Nm

① ADJUSTMENT MARKED WITH PAINT
EINSTELLUNG MIT LACK GEKENNZEICHNET
AJUSTAGE MARQUE AVEC VERNIS
REGOLAZIONE MARCATO CON VERNICE

② EXHAUST FREE FROM PAINT
ENTLUEFTUNG FARBFREI
ECCHEPPAMENTO SENZA PINTURE
SCARICO SENZA VERNICE



IT IS FORBIDDEN TO ASSEMBLE THE PLV IF IT IS UNDERGONE A SHOCK BEFORE
ES IST VERBOTEN DEN PLV ZU MONTIEREN, WENN ER ZUVOR AUF DEN BODEN GEFALLEN IST
IL EST INTERDIT D'ASSEMBLER UN PLV SI IL A SUBI UN CHOCK AUPARAVANT
E VIETATO DI CONGEGNARE UN PLV SE A SUBITO UN URTO PRIMA

10	3.5 +0.3/-0	0.4	
①	②	③	RANGE OF ADJUSTMENT EINSTELLBEREICH GAMME DE REGLAGE CAMPO DI REGOLAZIONE
P1 [bar]	P2 [bar]	MAX. [bar]	

General Specifications: JED-334-1 - Size ISO 14405 LP		Copyright WABCO®		ProVia	
Further Technical Data: PRO103000		Date			
Doc. Code: 035	Sheet: 1 To 6	Drawn: Aswinkumar	Checked: Vallarasu	PRESSURE LIMITING VALVE DRUCKBEGRENZUNGSVENTIL VALVE DE LIMITATION DE PRESSION VALVOLA LIMITATRICE DI PRESSIONE	
General Tolerances JED-261		Date of first issue: 2015-10-26		Material No. 005 ML 1/1	
Range of Nominal Dimensions (± mm)		Expert: KP NAGARAJAN		Doc. Code Language Sheet	
Class	① ≤ 50 ② > 50 ≤ 180 ③ > 180 ≤ 400 ④ > 400	Scale	1:1	ECH.No. 177205 Revision 1 Techn. Resp. 5160_AM	
Fine	0.5 1.0 1.5 2.0	Mass	0.383 kg	Replacement for	
Medium	1.0 2.0 3.0 4.0	Size	A 1	CREO	
Coarse	2.0 3.5 5.0 6.5	Tapped Holes acc. -		100mm	
Tolerance Class Applied Crossmarked					