

Non e' permesso consegnare o terzi o riprodurre questo documento, ne utilizzare il contenuto o renderlo comunque noto a terzi senza autorizzazione esplicita. Ogni infrazione costituisce un evidente abuso e comportera il risarcimento dei danni subiti. E' fatta riserva di tutti i diritti derivanti da brevetti o modelli.

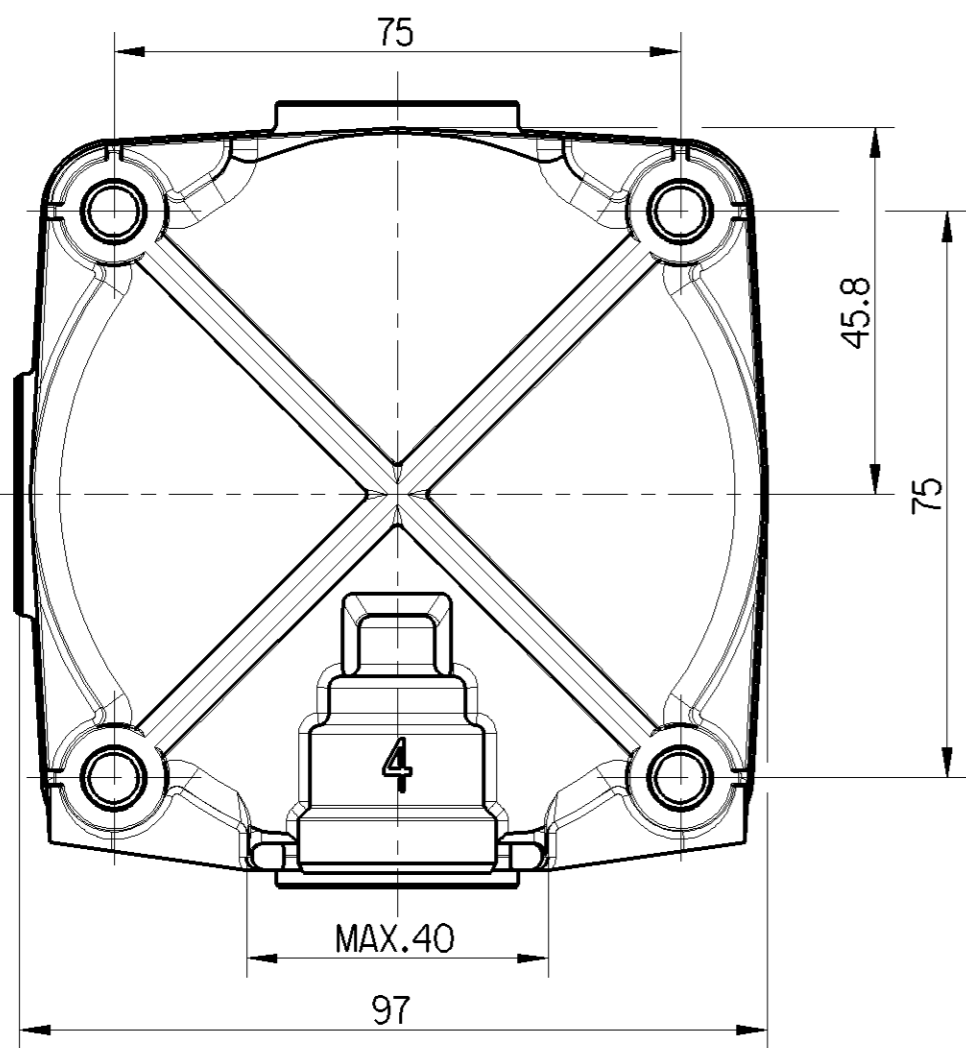
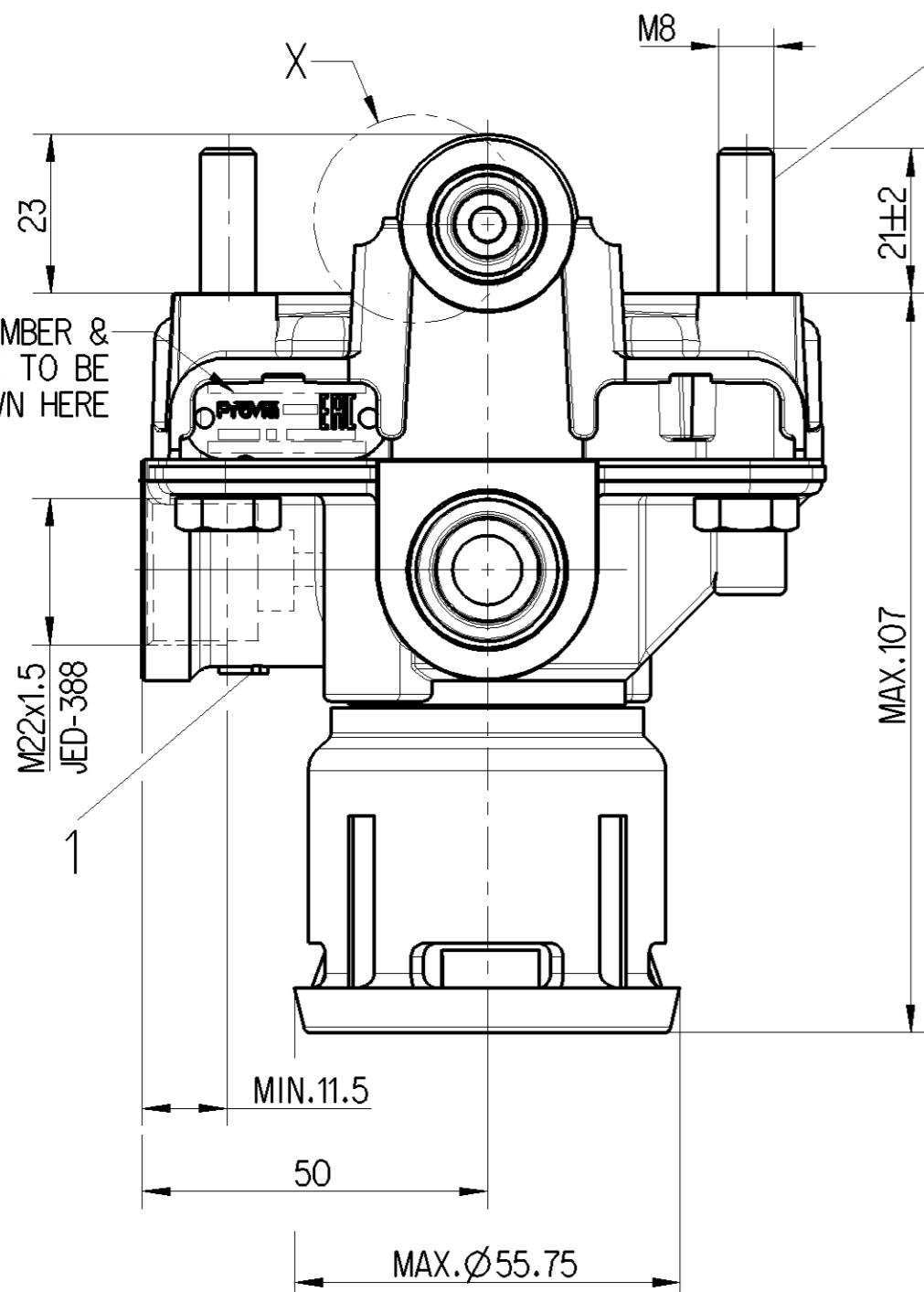
Copying of this document and giving it to others and the use or communication of the contents thereof, are forbidden without express authority. Contention of this restriction will constitute an evident abuse and result in a liability to the payment of damages. All rights are reserved in the event of the grant of patent or registration of a utility model or design. This document is the subject of copyright.

Toutte communication ou reproduction de ce document, toute exploitation ou communication de son contenu sont interdites, sauf autorisation expresse. Tout manquement a cette regle constitue un abus evident et expose son auteur au versement de dommages et interets. Tous droits de proprieete industrielle reserves, notamment en matiere de brevets et de modesles.

Wiedergabe sowie Vervielfältigung dieser Unterlagen, Verleihen und Mitteilen ihres Inhalts nicht gestattet, soweit nicht ausdrücklich ansonsten, weitergegeben, stellen eine offensichtliche Missbrauch dar und verpflichten zu Schadensersatz. Alle Rechte hier den Fall der Patentierung oder Gebrauchsmuster-Eintragung vorbehalten.

ASSEMBLY PART NUMBER & MANUFACTURE DATE TO BE SHOWN HERE

①

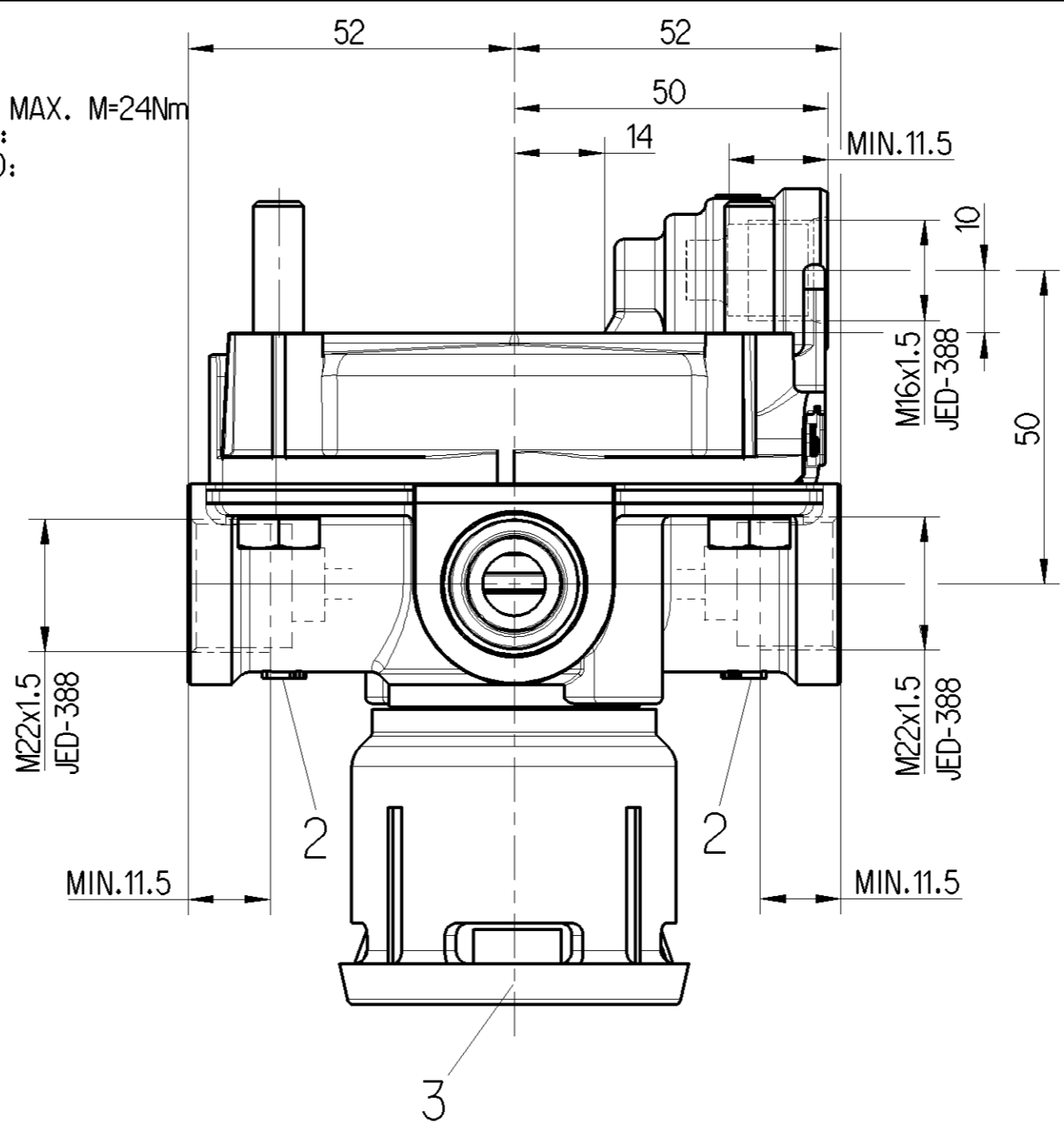


MEDIUM : AIR  
MEDIUM : LUFT  
FLUIDE : AIR  
FLUIDO : ARIA

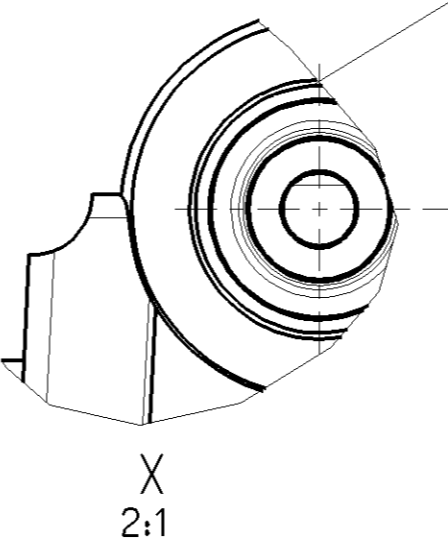
WORKING PRESSURE:  
BETRIEBSDRUCK: MAX.  $p_e = 10$  bar  
PRESSION DE SERVICE:  
PRESSIONE D' ESERCIZIO:

THERMAL RANGE OF APPLICATION:  
THERMISCHER ANWENDBEREICH:  
GAMME D' APPLICATION THERMIQUE:  
CAMPO DI APPLICAZIONE TERMICA: -40° . . . +80° C

TORQUE:  
ANZUGSMOMENT: MAX. M=24Nm  
COUPLE DE SERRAGE:  
COPPIA DI SERRAGGIO:



DESIGN PERMISSIBLE  
AUSFUEHRUNG ZULAESSIG  
REALISATION ADMISE  
DISEGNO AMMISSIBILE



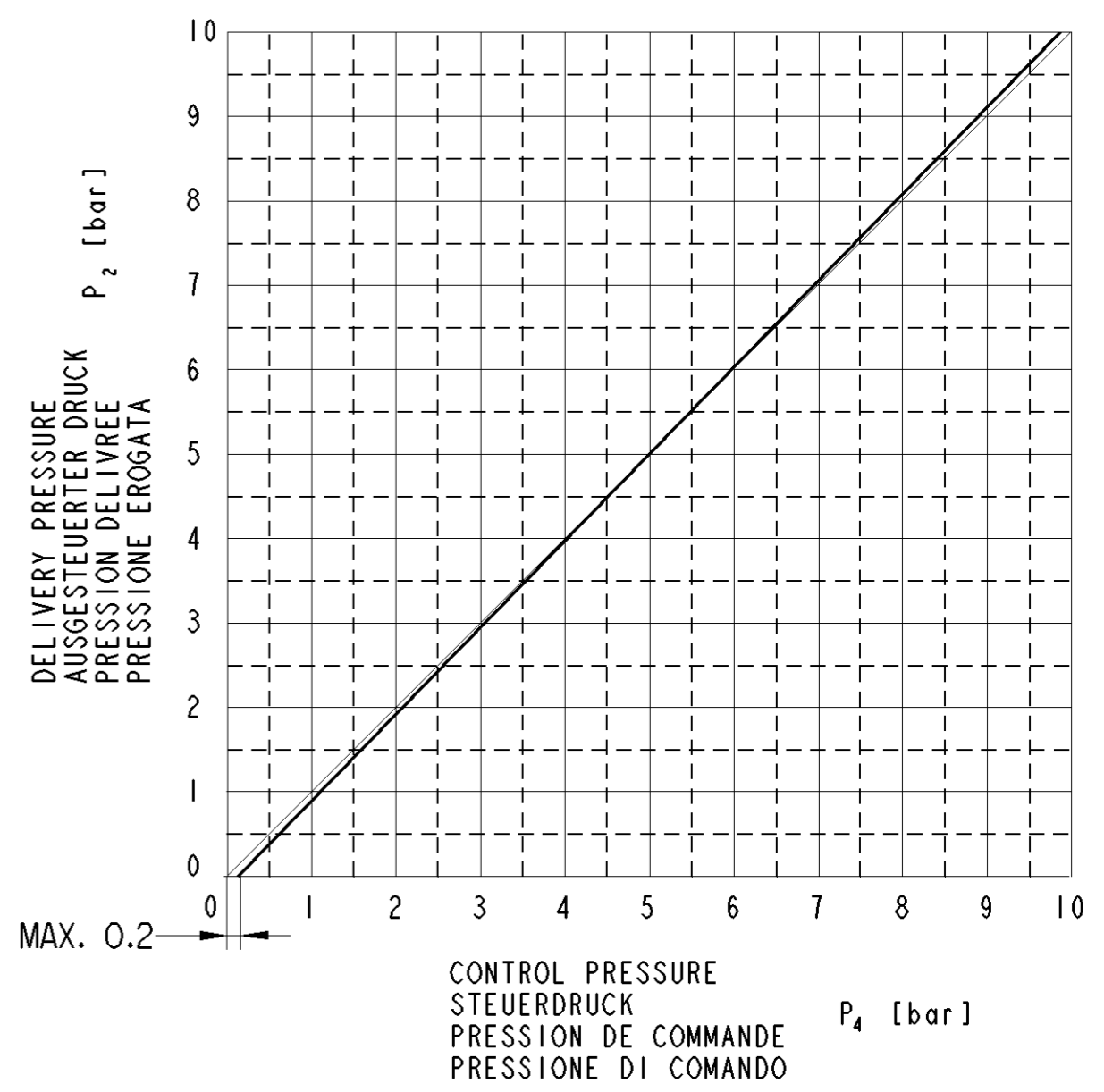
TORQUE FOR CONNECTIONS:  
ANZUGSMOMENT FUER EINSCHRAUBSTUTZEN:  
COUPLE DE SERRAGE DES RACCORDS:  
COPPIA DI SERRAGGIO DEI RACCORDI:

M16x1.5 : M max. = 34 Nm  
M22x1.5 : M max. = 53 Nm

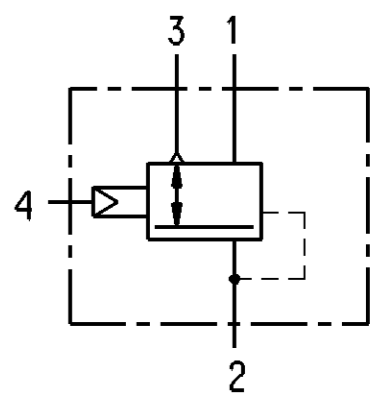
TEMPORARILY:  
KURZZEITIG: MAX.  $p_e = 13$  bar  
DE COURTE DUREE:  
BREVE TEMPO SOLO:

SUPPLY PRESSURE:  
VORRATSDRUCK: MAX.  $p_e = 13$  bar  
PRESSION D' ALIMENTATION:  
PRESSIONE DI ALIMENTAZIONE:

PERMISSIBLE INSTALLATION:  
ZULAESSIGE EINBAULAGE: ± 90°  
POSITION D' INSTALLATION ADMISE:  
POSIZIONE DI MONTAGGIO AMMESSA:



- 1 SUPPLY  
VORRAT  
ALIMENTATION  
ALIMENTAZIONE
- 2 DELIVERY PRESSURE  
AUSGESTEUERTER DRUCK  
PRESSION DELIVREE  
PRESSIONE EROGATA
- 3 EXHAUST  
ENTLUEFTUNG  
ECHAPPEMENT  
SCARICO
- 4 CONTROL PRESSURE  
STEUERDRUCK  
PRESSION DE COMMANDE  
PRESSIONE DI COMANDO



General Specification: JED-334-1, Size ISO 14405 LP		Copyright WABCO®		<b>ProVia</b>	
Further Technical Data: PRO 011 004 0		Date	Signature	RELAY VALVE RELAISVENTIL VALVE RELAIS VALVOLA RELE	
Doc. Code: 035	Sheet: 1 To 10	2018-09-20	VALLARASU MP	ECN-No. 177205	
General Tolerances JED-261		Checked	Aswinkumar	Revision 1	
Range of Nominal Dimensions ( ± mm)		Expert		Techn. Resp. D	
Class 1)	≤ 50	> 50 ≤ 180	> 180 ≤ 400	> 400	±3°
Fine	0.5	1.0	1.5	2.0	±3°
Medium	1.0	2.0	3.0	4.0	
Coarse	2.0	3.5	5.0	6.5	
Tapped Holes acc. JED-388		Mass	Scale	Material No.	Date of first issue: 2015-06-05
1) Tolerance Class Applied Crossmarked		0.64	1:1 (2:1)	PRO 011 008 0	Doc.Code 005
		Size	CAD System	ECN-No. 177205	Language ML
		A 2	CREO	Revision 1	Sheet 1/1
				Techn. Resp. D	Replacement for

dwg: PRO011008\_01.dwg Version: D.3 / state: Under Review / mdf: PRO011008\_01.dwg