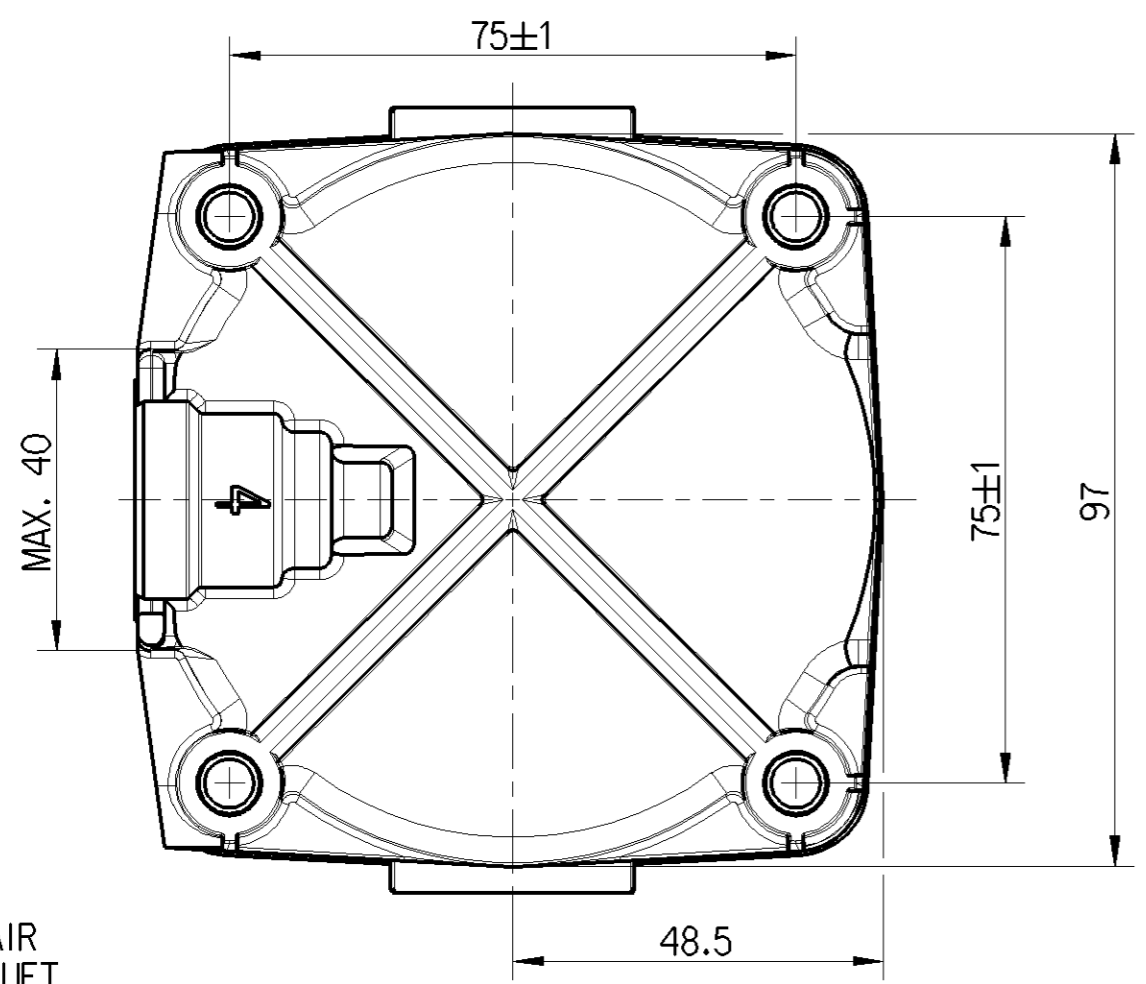
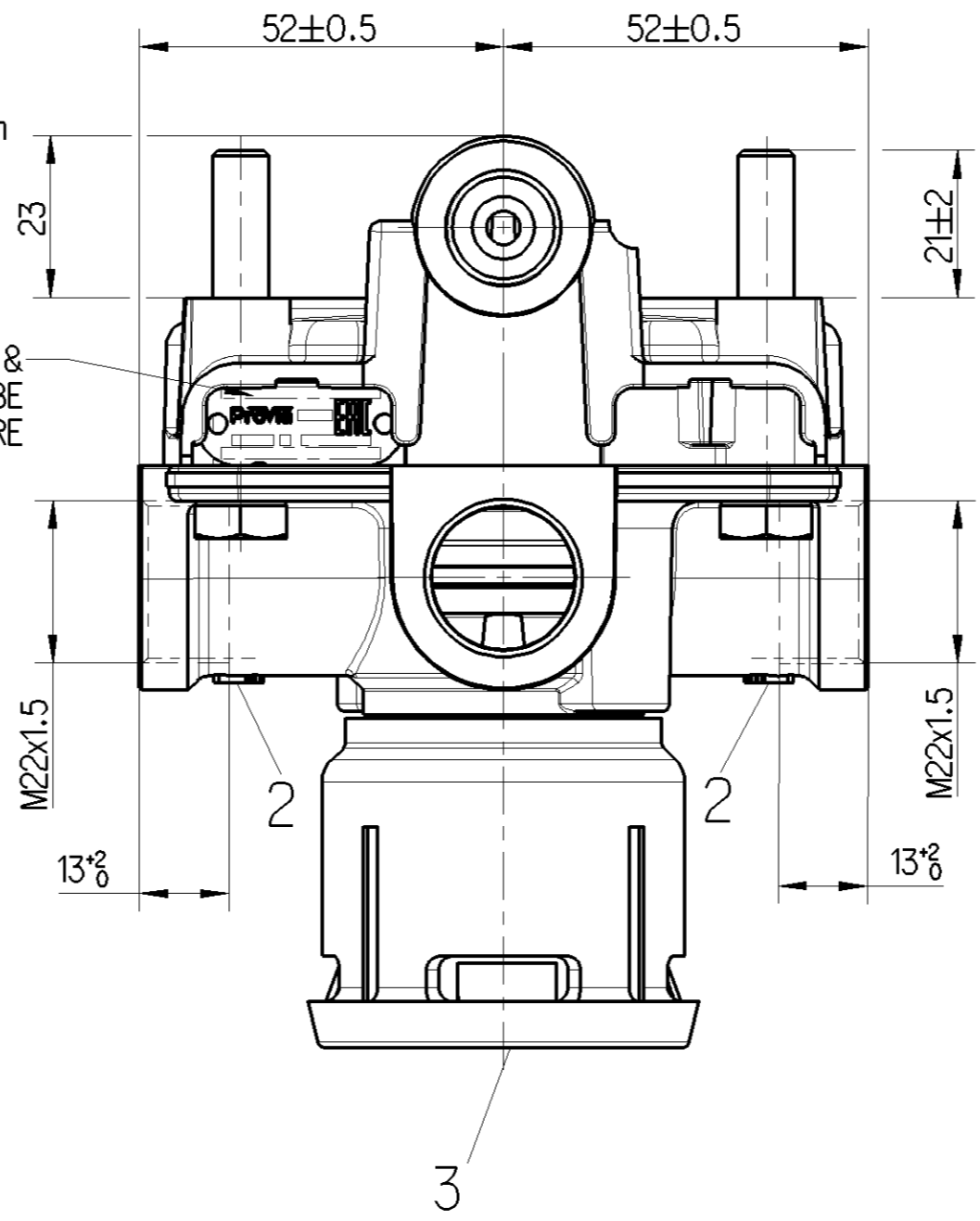


TORQUE:
ANZUGSMOMENT:
COUPLE DE SERRAGE:
COPPIA DI SERRAGGIO:
MAX. M=24Nm

ASSEMBLY PART NUMBERS &
MANUFACTURE DATE TO BE
SHOWN HERE

(A)



MEDIUM : AIR
MEDIUM : LUFT
FLUIDE : AIR
FLUIDO : ARIA

WORKING PRESSURE:
BETRIEBSDRUCK: MAX. p_e = 10 bar
PRESSION DE SERVICE:
PRESSIONE D' ESERCIZIO:

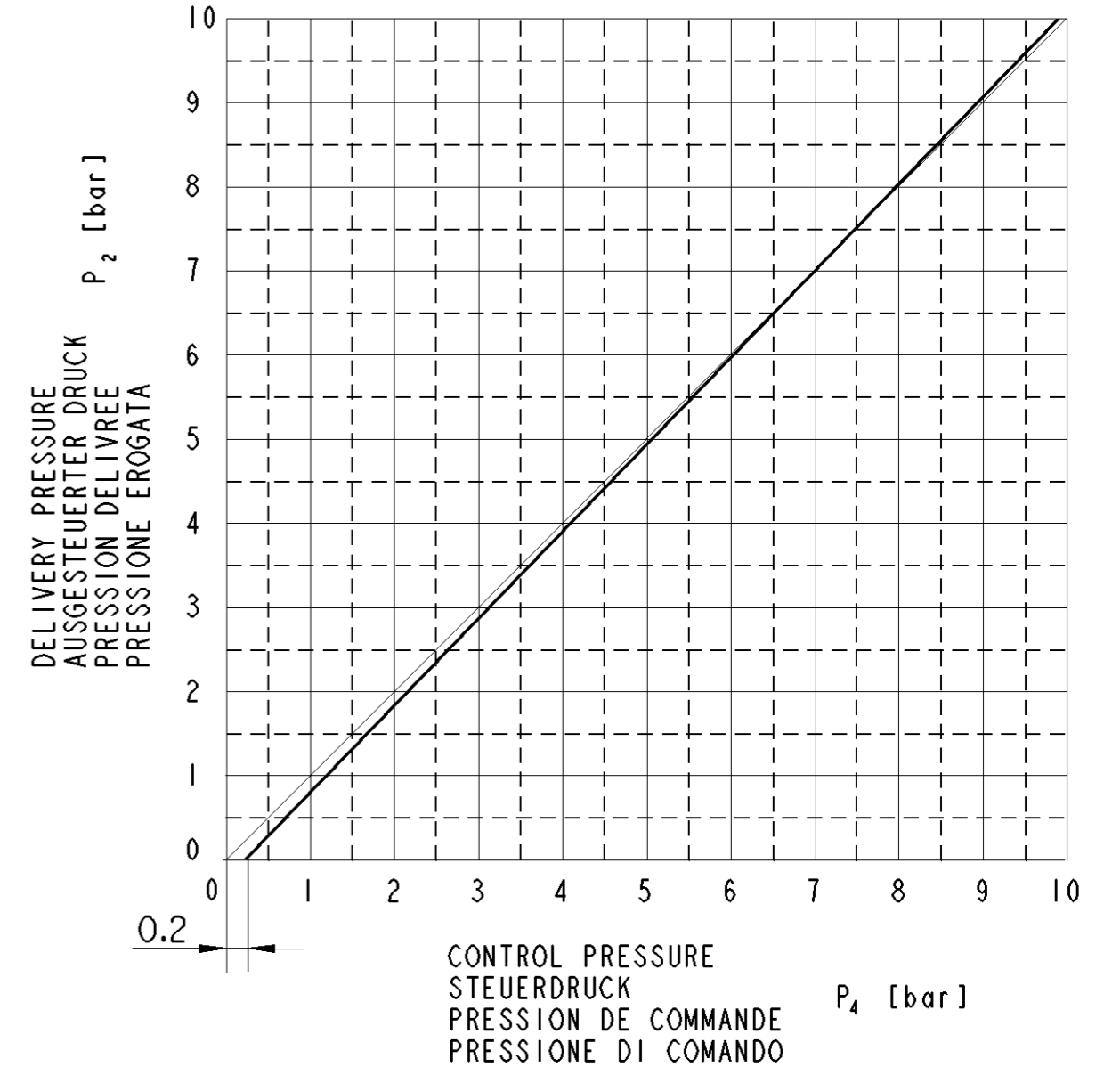
THERMAL RANGE OF APPLICATION:
THERMISCHER ANWENDBEREICH:
GAMME D' APPLICATION THERMIQUE:
CAMPO DI APPLICAZIONE TERMICA:
-40° . . . +80° C

TORQUE FOR CONNECTIONS:
ANZUGSMOMENT FUER EINSCHRAUBSTUTZEN: M16x1.5 : M max. = 34 Nm
COUPLE DE SERRAGE DES RACCORDES: M22x1.5 : M max. = 53 Nm
COPPIA DI SERRAGGIO DEI RACCORDI:

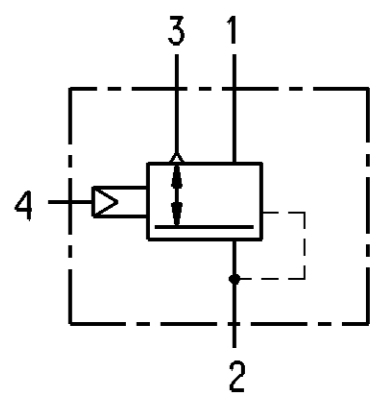
TEMPORARILY:
KURZZEITIG: MAX. p_e = 13 bar
DE COURTE DUREE:
BREVE TEMPO SOLO:

SUPPLY PRESSURE:
VORRATSDRUCK: MAX. p_e = 13 bar
PRESSION D' ALIMENTATION:
PRESSIONE DI ALIMENTAZIONE:

PERMISSIBLE INSTALLATION:
ZULAESSIGE EINBAULAGE: ± 90°
POSITION D' INSTALLATION ADMISE:
POSIZIONE DI MONTAGGIO AMMESSA:



- 1 SUPPLY
VORRAT
ALIMENTATION
ALIMENTAZIONE
- 2 DELIVERY PRESSURE
AUSGESTEUERTER DRUCK
PRESSION DELIVREE
PRESSIONE EROGATA
- 3 EXHAUST
ENTLUEFTUNG
ECHAPPEMENT
SCARICO
- 4 CONTROL PRESSURE
STEUERDRUCK
PRESSION DE COMMANDE
PRESSIONE DI COMANDO



| | | | | | |
|---|-----------------------------------|-----------------------|----------------|---|--|
| General Specification: JED-334-1, Size ISO 14405 LP | | Copyright WABCO® | | ProVia | |
| Further Technical Data: PRO 011 004 0 | | Date | Signature | RELAY VALVE RELAISVENTIL | |
| Doc. Code: 035 | Sheet: 1 To 10 | 2018-09-24 | MALLARASU M.P. | VALVE RELAIS VALVOLA RELE | |
| General Tolerances JED-261 | | Checked | | Doc.Code Language Sheet | |
| Range of Nominal Dimensions (± mm) | | 2018-09-24 Aswinkumar | | 005 ML 1/1 | |
| Class 1) | ≤ 50 > 50 ≤ 180 > 180 ≤ 400 > 400 | Expert | | Date of first issue: 2016-05-24 | |
| Fine | 0.5 1.0 1.5 2.0 | K P.NAGARAJAN | | ECN-No. Revision Techn. Resp. Replacement for | |
| Medium | 1.0 2.0 3.0 4.0 | Mass Scale | Material No. | 177205 1 A 5220_AM | |
| Coarse | 2.0 3.5 5.0 6.5 | 0.62 kg 1:1 | | 100mm | |
| Tapped Holes acc. JED-152 | | Size CAD System | | | |
| 1) Tolerance Class Applied Crossmarked | | A 2 CREO | | | |

Non e permesso copiare, o terzi o riprodurre questo documento, ne utilizzare il contenuto o renderlo comunque noto a terzi senza autorizzazione esplicita. Ogni infrazione costituisce un evidente abuso e comportera il risarcimento dei danni subiti. E' fatta riserva di tutti i diritti derivanti da brevetti o modelli.
 Coping of this document and giving it to others and the use or communication of the contents thereof, are forbidden without express authority. Contravention of this restriction will constitute an evident abuse and result in a liability to the payment of damages. All rights are reserved in the event of the grant of patent or registration of a utility model or design. This document is the subject of copyright.
 Toute communication ou reproduction de ce document, toute exploitation ou communication de son contenu sont interdites, sauf autorisation expresse. Tout manquement a cette regle constitue un abus evident et expose son auteur au versement de dommages et interets. Tous droits de propriete industrielle reserves, notamment en matiere de brevets et de modesles.
 Weitergabe sowie Vervielfaltigung dieser Unterlagen, Verleihen und Mitteilen ihres Inhalts nicht gestattet, soweit nicht ausdrucklich ansonsten, zweckbindend, weitergegeben, stellen eine offensichtliche Missbrauch dar und verpflichten zu Schadenersatz. Alle Rechte hier den Fall der Patentierung oder Gebrauchsmuster-Eintragung vorbehalten.

Version: A.9 / State: Under Review / mdf: PRO011009_001