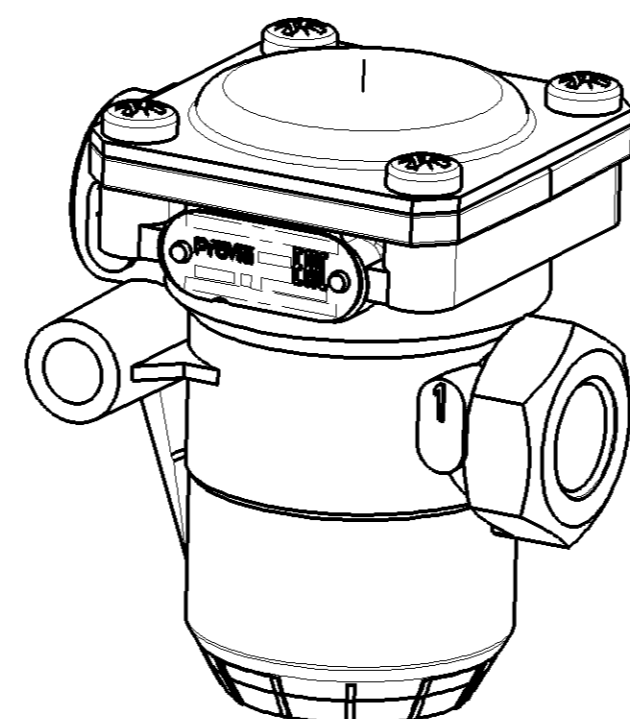
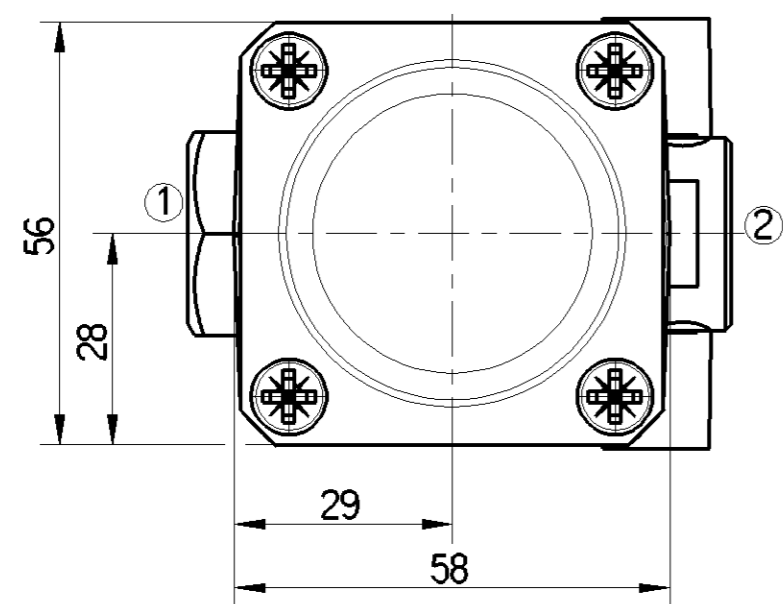
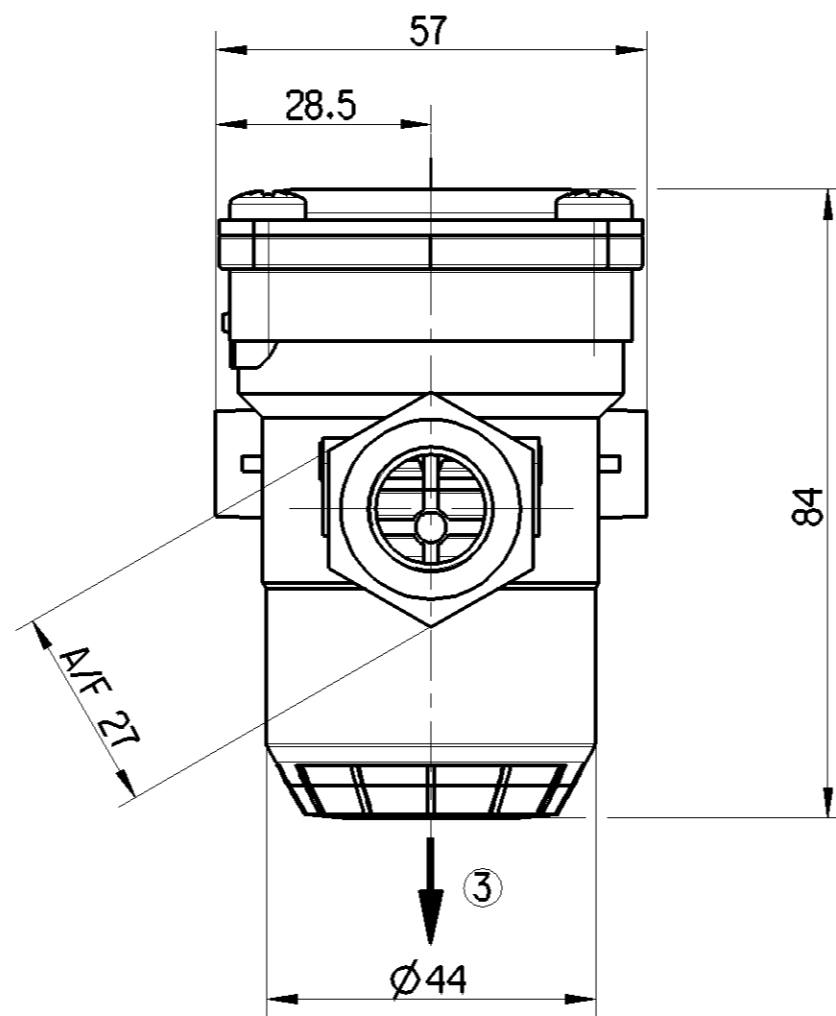
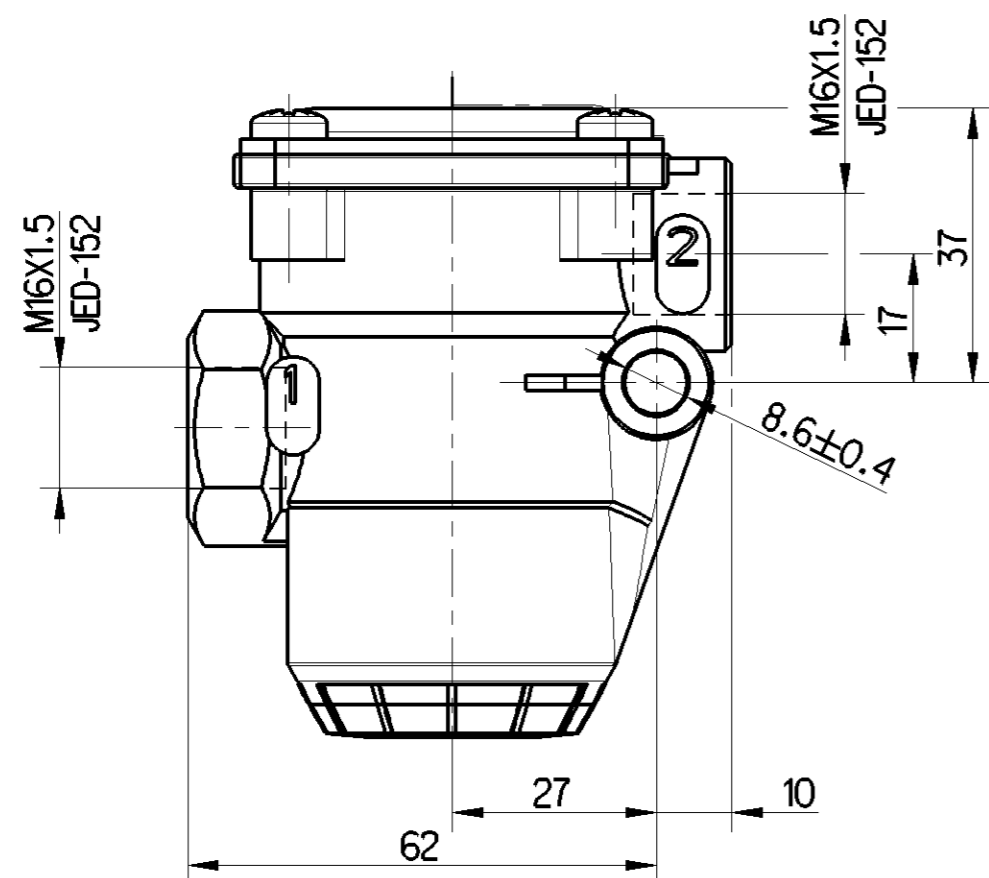


Non e' permesso copiare, o terzi o riprodurre questo documento, ne utilizzare il contenuto o renderlo comunque noto a terzi senza autorizzazione esplicita. Ogni infrazione costituisce un evidente abuso e comportera il risarcimento dei danni subiti. E' fatta riserva di tutti i diritti derivanti da brevetti o modelli.

Copying of this document and giving it to others and the use or communication of the contents thereof, are forbidden without express authority. Contravention of this restriction will constitute an evident abuse and result in a liability to the payment of damages. All rights are reserved in the event of the grant of patent or registration of a utility model or design. This document is the subject of copyright.

Tout e reproduction de ce document, toute exploitation ou communication de son contenu sont interdites, sauf autorisation expresse. Tout manquement a cette regle constitue un abus evident et expose son auteur au versement de dommages et interets. Tous droits de proprie'te industrielle reserves, notamment en matiere de brevets et de modeles.

Wiederholte sowie Verbreitung dieser Unterlagen, Verleihen und Mitteilen ihres Inhalts nicht gestattet, soweit nicht ausdru'cklich ansonsten, weitergegeben, stehen einem offensichtlichen Missbrauch dar und verpflichten zu Schadensersatz. Alle Rechte hier den Fall der Patenterteilung oder Gebrauchsmuster-Eintragung vorbehalten.



THERMAL RANGE OF APPLICATION
THERMISCHER ANWENDBEREICH
GAMME D'APPLICATION THERMIQUE
CAMPO DI APPLICAZIONE TERMICA

-40°C....+80°C
MAX. TEMP. 100°C
ADMISSIBLE DURING LIMITED PERIOD OF 20h

TORQUE FOR CONNECTIONS
ANZUGSMOMENT FUR EINSCHRAUBSTUTZEN
COUPLE DE SERRAGE DES RACCORDS
COPPIA DI SERRAGGIO DEI RACCORDI

48 Nm MAX

- ① INLET VORRAT ALIMENTATION ALIMENTAZIONE (HIGH PRESSURE) (HOCHDRUCK) (HAUTE PRESSION) (ALTA PRESSIONE)
- ② DELIVERY AUSGESTURTE LUFT UTILISATION UTILIZZAZIONE (LOW PRESSURE) (NIEDERDRUCK) (BASSE PRESSION) (BASSA PRESSIONE)
- ③ EXHAUST ENTLUEFTUNG ECHAPPEMENT SCARICO

DELIVERY PRESSURE AUGESTFUERTER PRESSION D'UTILISATION PRESSIONE D'UTILIZZAZIONE P2=7.5+0.4/0 bar FOR FUER POUR PER P1=10 bar

OPENING OF SAFETY VALVE OEFFNUNG DES SICHERHEITSVENTILS OUVERTURE DE LA SOUPAPE DE SECURITE APERTURA DELLA VALVOLA DI SICUREZZA P2+2.5 bar (MAX)

NOMINAL DIAMETER MIN. MIN. FREIER DURCHGANG DIAMETRE NOMINAL MIN. DIAMETRO NOMINALE MIN. 10 mm (78.5 mm²)

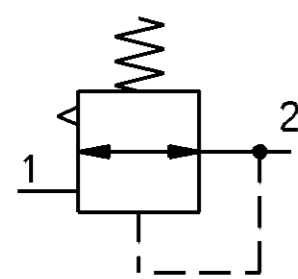
MEDIUM MEDIUM FLUIDE FLUIDE AIR LUFT AIR ARIA

- ④ INSTALLATION REQUIREMENTS EINBAUBESCHRANKUNGEN RESTRICTIONS D'INSTALLATION LIMITAZIONI DI MONTAGGIO : MAX ±45°

NAME PLATE DETAILS MANUFACTURING PLANT: PRODUKTIONSSTAETTE: JED-225 LIEU DE FABRICATION: LUOGO DI FABRICAZIONE:

ProVia IDENTIFICATION NUMBER ProVia TEILE NUMMER NUMERO D'IDENTIFICATION ProVia NUMERO D'IDENTIFICAZIONE

WEEK / YEAR OF MANUFACTURE FERTIGUNGSWOCHE / JAHR SEMAINE / ANNEE DE FABRICATION SETTIMANA / ANNO DELLA FABRICAZIONE



INLET VORRAT ALIMENTATION ALIMENTAZIONE

P1 MAX = 15 bar

P1 MAX = 12.5 bar

IF FALLS SI SE P1 CONSTANT UNVERANDERLICH CONSTANTE INVARIABILE

IF FALLS SI SE P1 VARIABLE VERANDERLICH VARIABLE VARIABILE

General Specification: JED-334-1, Size ISO 14405 LP		Copyright WABCO®		ProVia	
Further Technical Data: PRO0150720		Date	Signature	Date of first issue: 2015-11-20	
Doc. Code: 035	Sheet: 1 To 5	2018-09-24	Aswinkumar	Doc. Code Language Sheet	
General Tolerances JED-261		2018-09-24	Vallarasu	005 ML 1/1	
Range of Nominal Dimensions (± mm)		Expert: K P NAGARAJAN		Material No. PRO 015 073 0	
Class 1)	≤ 50 > 50 ≤ 180 > 180 ≤ 400 > 400	Mass	Scale	Date of first issue: 2015-11-20	
Fine	0.5 1.0 1.5 2.0	0.379	1:1	ECN-No. 177205	
Medium	1.0 2.0 3.0 4.0	kg		Revision 1 A	
Coarse	2.0 3.5 5.0 6.5			Techn. Resp. 5160_AM	
Tapped Holes acc. JED-152		Size	CAD System	Replacement for	
1) Tolerance Class Applied Crossmarked		A 2	CREO		