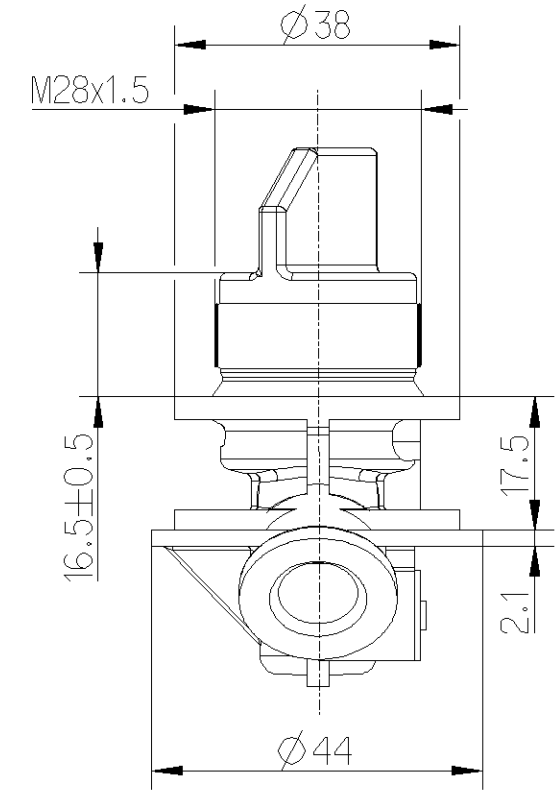
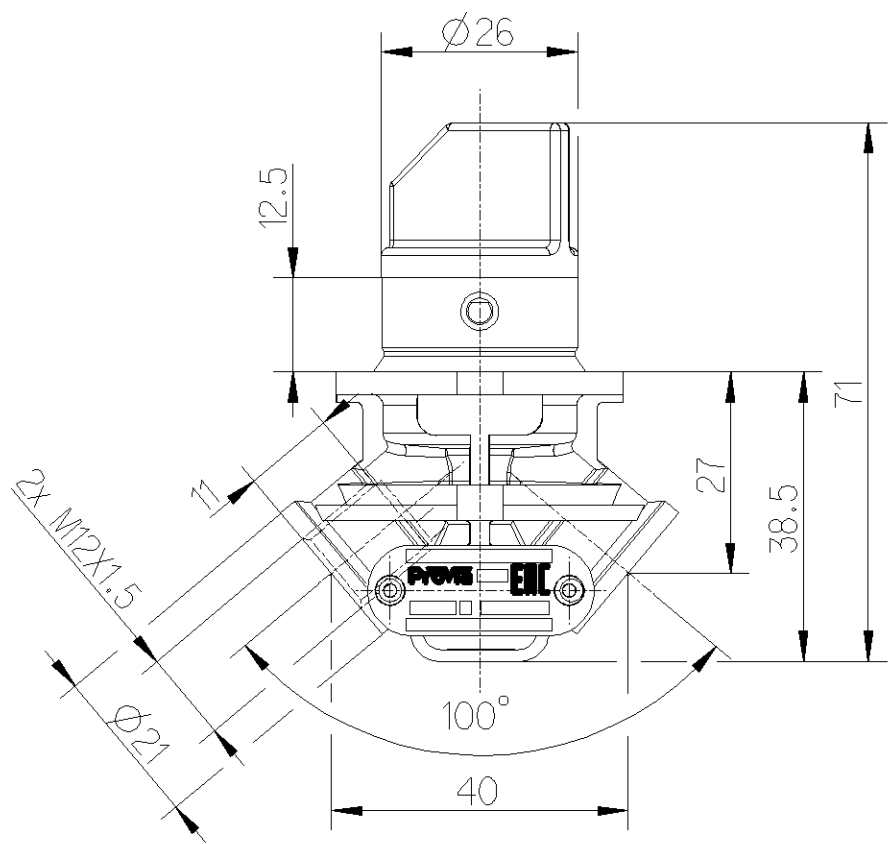
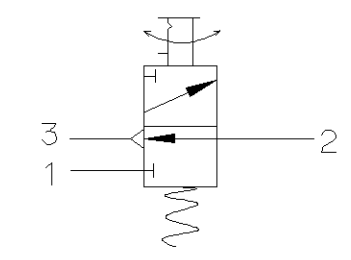


<1>	SAFETY CHARACTERISTICS	0
<2>	SIGNIFICANT CHARACTERISTICS	0
<CI>	CUSTOMER INTERFACE	0



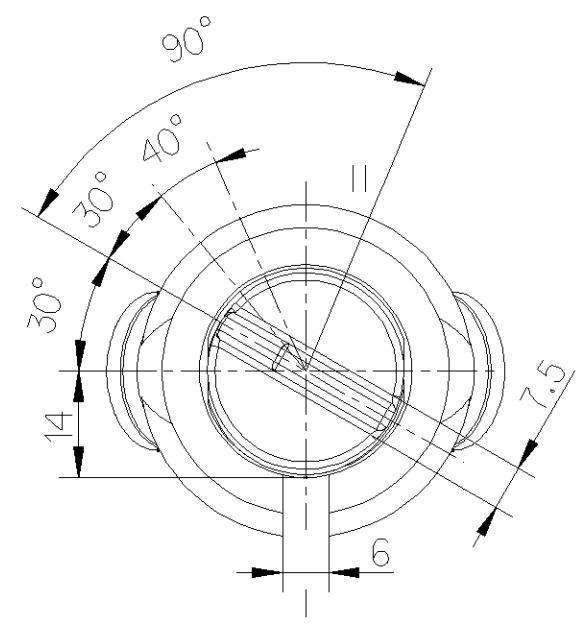
SCHEMATIC DIAGRAM



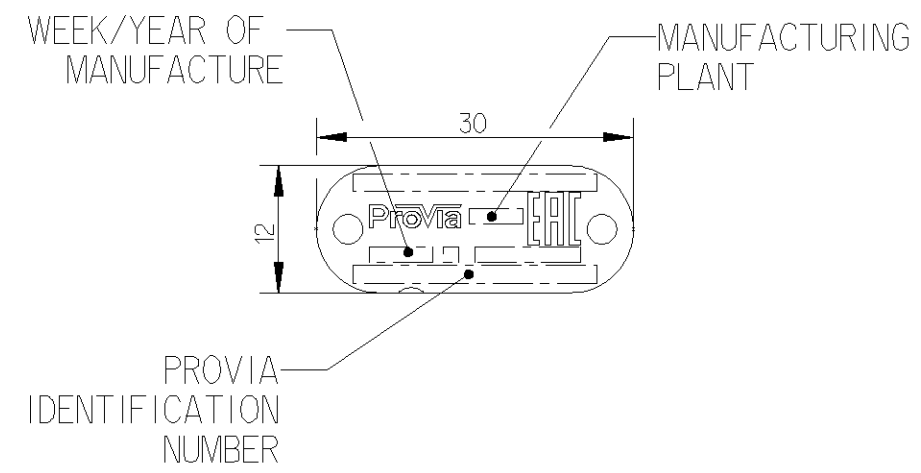
- 1 - SUPPLY
- 2 - DELIVERY
- 3 - EXHAUST

TECHNICAL SPECIFICATION :

- ① MEDIUM: AIR
- ② WORKING PRESSURE MAX: 11 BAR
- ③ NOMINAL APERTURE ≥ 4MM
- ④ WORKING TEMPERATURE: -25° ~ +80°C
- ⑤ OTHERS: ACCORDING TO QC/T37



I - UNLOCKED POSITION  
II - LOCKED POSITION



PROVIA IDENTIFICATION NUMBER

General Specification: ISO 8015, JED-334-1, Size ISO 14405 LP				Copyright ZF®		 <b>DIRECTIONAL CONTROL VALVE</b>																														
Further Technical Data: Product Specification				Date	Signature				<table border="1"> <tr> <td>Doc. Code: O35</td> <td>Sheet: 1 To 4</td> <td>2023-02-01</td> <td>Murugan</td> </tr> <tr> <td colspan="2">General Tolerances JED-261</td> <td colspan="2">Checked</td> </tr> <tr> <td colspan="2">Range of Nominal Dimensions ( ± mm)</td> <td colspan="2">2023-02-02</td> <td>Pawlowski</td> </tr> </table>			Doc. Code: O35	Sheet: 1 To 4	2023-02-01	Murugan	General Tolerances JED-261		Checked		Range of Nominal Dimensions ( ± mm)		2023-02-02		Pawlowski												
Doc. Code: O35	Sheet: 1 To 4	2023-02-01	Murugan																																	
General Tolerances JED-261		Checked																																		
Range of Nominal Dimensions ( ± mm)		2023-02-02		Pawlowski																																
Class	1)	≤ 50	> 50 ≤ 180	> 180 ≤ 400	> 400	<table border="1"> <tr> <td>Mass</td> <td>Scale</td> <td colspan="2">Material No.</td> <td colspan="2">Date of first issue: 2022-12-21</td> </tr> <tr> <td>Fine</td> <td></td> <td>±0.5</td> <td>±1</td> <td>±1.5</td> <td>±2</td> <td>Doc.Code</td> <td>Language</td> <td>Sheet</td> </tr> <tr> <td>Medium</td> <td>X</td> <td>±1</td> <td>±2</td> <td>±3</td> <td>±4</td> <td>005</td> <td>EN</td> <td>1/1</td> </tr> </table>			Mass	Scale	Material No.		Date of first issue: 2022-12-21		Fine		±0.5	±1	±1.5	±2	Doc.Code	Language	Sheet	Medium	X	±1	±2	±3	±4	005	EN	1/1				
Mass	Scale	Material No.		Date of first issue: 2022-12-21																																
Fine		±0.5	±1	±1.5	±2				Doc.Code	Language	Sheet																									
Medium	X	±1	±2	±3	±4	005	EN	1/1																												
		±0.5	±1	±1.5	±2	<table border="1"> <tr> <td colspan="2">Dimensions in mm</td> <td colspan="2">ECN-No.</td> <td>Revision</td> <td>Techn. Resp.</td> <td colspan="2">Replacement for</td> </tr> <tr> <td>Coarse</td> <td></td> <td>±2</td> <td>±3.5</td> <td>±5</td> <td>±6.5</td> <td>-</td> <td>1 x</td> <td>A</td> <td>5810_AM</td> <td></td> </tr> <tr> <td colspan="2">Tapped Holes acc. JED-152</td> <td colspan="2">A 3</td> <td>CREO</td> <td colspan="2"></td> <td colspan="2"></td> </tr> </table>			Dimensions in mm		ECN-No.		Revision	Techn. Resp.	Replacement for		Coarse		±2	±3.5	±5	±6.5	-	1 x	A	5810_AM		Tapped Holes acc. JED-152		A 3		CREO				
Dimensions in mm		ECN-No.		Revision	Techn. Resp.				Replacement for																											
Coarse		±2	±3.5	±5	±6.5				-	1 x	A	5810_AM																								
Tapped Holes acc. JED-152		A 3		CREO																																
1) Tolerance Class Applied Crossmarked																																				

Non e permesso consegnare a terzi o riprodurre questo documento, ne utilizzare il contenuto o renderlo comunque noto a terzi senza autorizzazione esplicita. Ogni infrazione costituirà un evidente abuso e comporterà il risarcimento dei danni subiti. E' fatta riserva di tutti i diritti derivanti da brevetti o modelli.

Man e permesso consegnare a terzi o riprodurre questo documento, ne utilizzare il contenuto o renderlo comunque noto a terzi senza autorizzazione esplicita. Ogni infrazione costituirà un evidente abuso e comporterà il risarcimento dei danni subiti. E' fatta riserva di tutti i diritti derivanti da brevetti o modelli.

Toute communication ou reproduction de ce document, toute exploitation ou communication de son contenu sont interdites, sauf autorisation expresse. Tout manquement a cette regle constitue un abus evident et expose son auteur au versement de dommages et interets. Tous droits de propriete industrielle reserves, notamment en matiere de brevets et de modeles.

Weitergabe sowie Vervielfältigung dieser Unterlage, Verwertung und Mitteilung ihres Inhalts nicht gestattet, soweit nicht ausdrücklich zugestanden. Zuwiderhandlungen stellen einen offensichtlichen Missbrauch dar und verpflichten zu Schadensersatz. Alle Rechte fuer den Fall der Patenterteilung oder Gebrauchsmuster-Eintragung vorbehalten.

A

B

C

D

E

F