

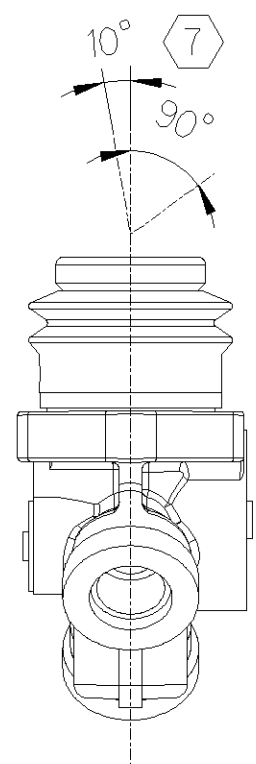
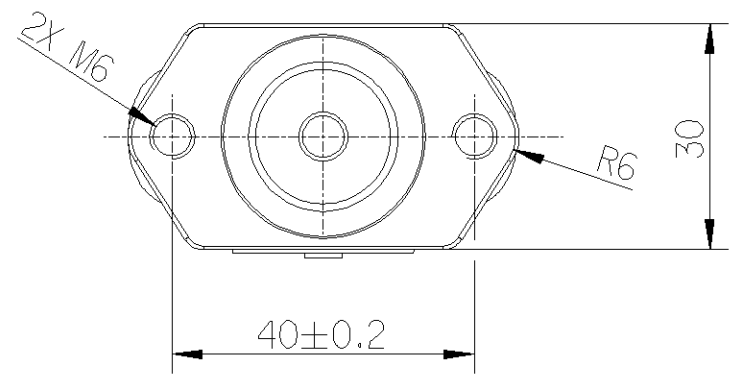
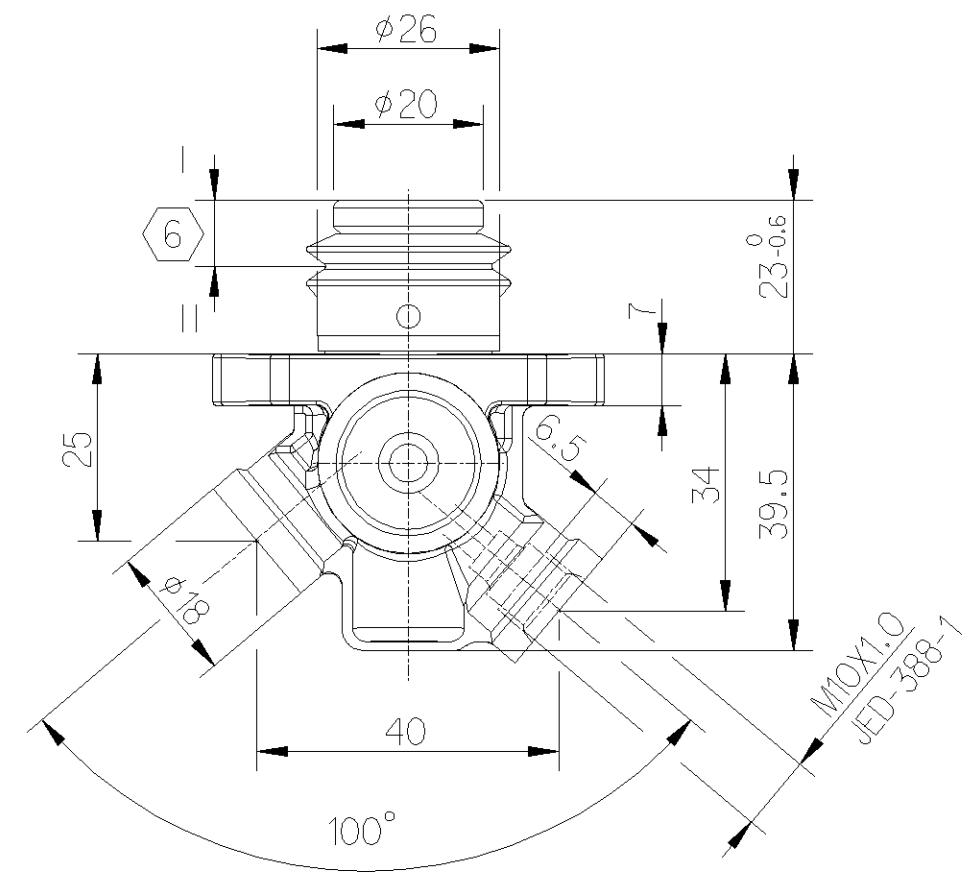
Non e permesso consegnare a terzi o riprodurre questo documento, ne utilizzare il contenuto o renderlo comunque noto a terzi senza autorizzazione esplicita. Ogni infrazione costituirà un evidente abuso e comporterà il risarcimento dei danni subiti. E' fatta riserva di tutti i diritti derivanti da brevetti o modelli.

Toute communication ou reproduction de ce document, toute exploitation ou communication de son contenu sont interdites, sauf autorisation expresse. Tout manquement a cette regle constitue un abus evident et expose son auteur au versement de dommages et interets. Tous droits de propriete industrielle reserves, notamment en matiere de brevets et de modesles.

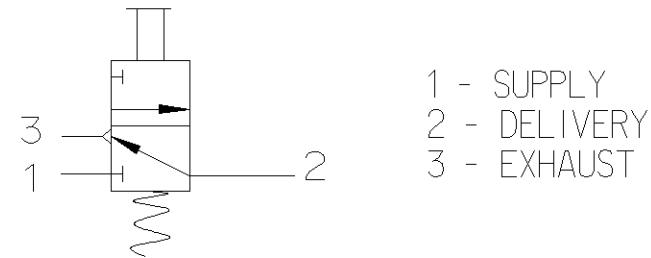
Copying of this document and giving it to others and the use or communication of the contents thereof, are forbidden without express authority. Contravention of this restriction will constitute an evident abuse and result in a liability to the payment of damages. All rights are reserved in the event of the grant of patent or registration of a utility model or design. This document is the subject of copyright.

Weitergabe sowie Vervielfältigung dieser Unterlage, Verwertung und Mitteilung ihres Inhalts nicht gestattet, soweit nicht ausdrücklich zugestanden. Zuwiderhandlungen stellen einen offensichtlichen Missbrauch dar und verpflichten zu Schadensersatz. Alle Rechte fuer den Fall der Patenterteilung oder Gebrauchsmuster-Eintragung vorbehalten.

<1>	SAFETY CHARACTERISTICS	0
<2>	SIGNIFICANT CHARACTERISTICS	0
<CI>	CUSTOMER INTERFACE	0



SCHEMATIC DIAGRAM



TECHNICAL SPECIFICATION :

- ① MEDIUM: AIR
- ② WORKING PRESSURE MAX: 11 BAR
- ③ NOMINAL APERTURE ≥ 4mm
- ④ WORKING TEMPERATURE: -25° ~ +80° C
- ⑤ OTHERS: ACCORDING TO QC/T37
- ⑥ WORKING STROKE: 4.5mm
- ⑦ PERMISSIBLE INSTALLATION POSITION

General Specification: ISO 8015, JED-334-1, Size ISO 14405 LP		Copyright ZF®		<b>ProVia</b> <span style="float: right;">(A)</span> DIRECTIONAL CONTROL VALVE								
Further Technical Data: Product Specification		Date	Signature				Date of first issue: 2022-12-21 Doc.Code Language Sheet 005 EN 1/1					
Doc. Code: O35	Sheet: 1 To 4	2023-02-01	Murugan							ECN-No. Revision Techn. Resp. Replacement for - 1 x A 5810_AM		
General Tolerances JED-261		Checked										
Range of Nominal Dimensions ( ± mm)		2023-02-02 Pawlowski		Dimensions in mm								
Class 1)	≤ 50	> 50 ≤ 180	> 180 ≤ 400	> 400	Date of first issue: 2022-12-21							
Fine	±0.5	±1	±1.5	±2	Doc.Code Language Sheet							
Medium	±1	±2	±3	±4	005 EN 1/1							
Coarse	±2	±3.5	±5	±6.5	Replacement for							
Tapped Holes acc. JED-388 / JED-152		A 3	CREO	100mm								
1) Tolerance Class Applied Crossmarked												