

TECHNICAL DATA:

THERMAL RANGE OF CONTINUOUS APPLICATION: -20°C ... +65°C
 RESISTANCE TO HEAT: MAX +75°C
 MEDIUM: COMPRESSED AIR
 WORKING PRESSURE: p_{max} = 10 bar
 MAX. PERMISSIBLE FREQUENCY: 50 Hz
 MAX. PERMISSIBLE ACCELERATION: ±10 g

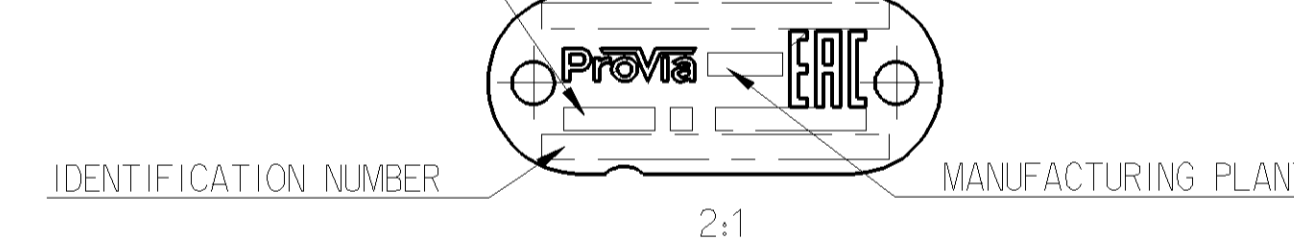
COMBINED UNLOADER:

OUT OUT PRESSURE: 8.5 ± 0.2 bar
 OPERATING RANGE: 1.1 ± 0.4 bar
 DYNAMIC PRESSURE OF THE SAFETY VALVE: 14.5^{+4.5} bar (AT V_n = 100 dm³/min)

HEATING:

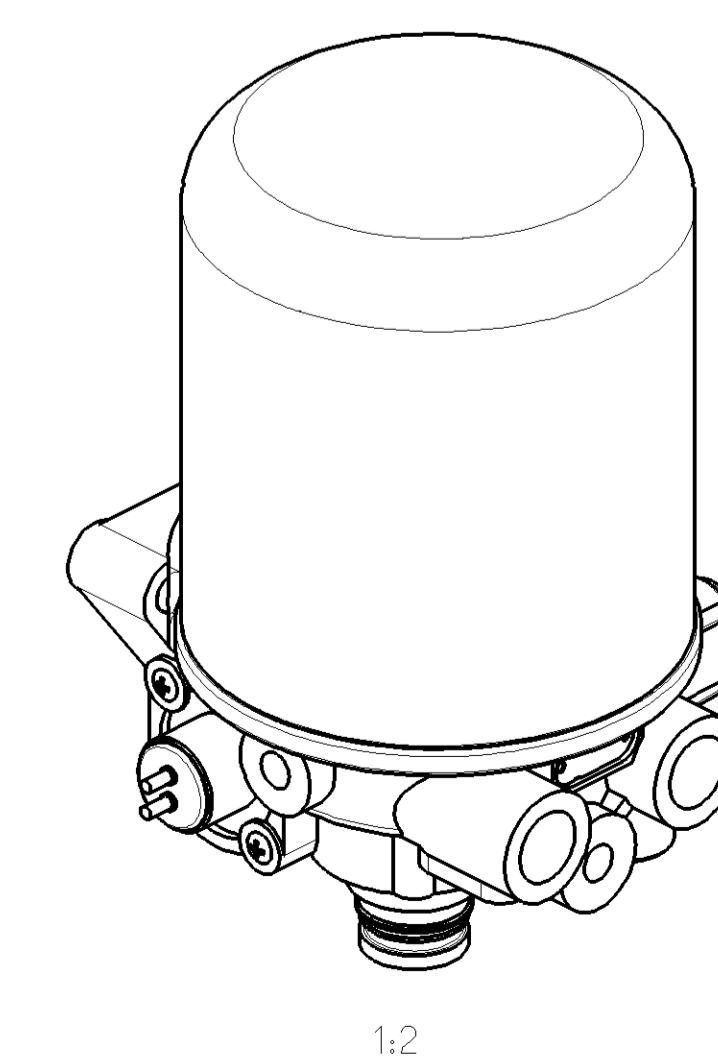
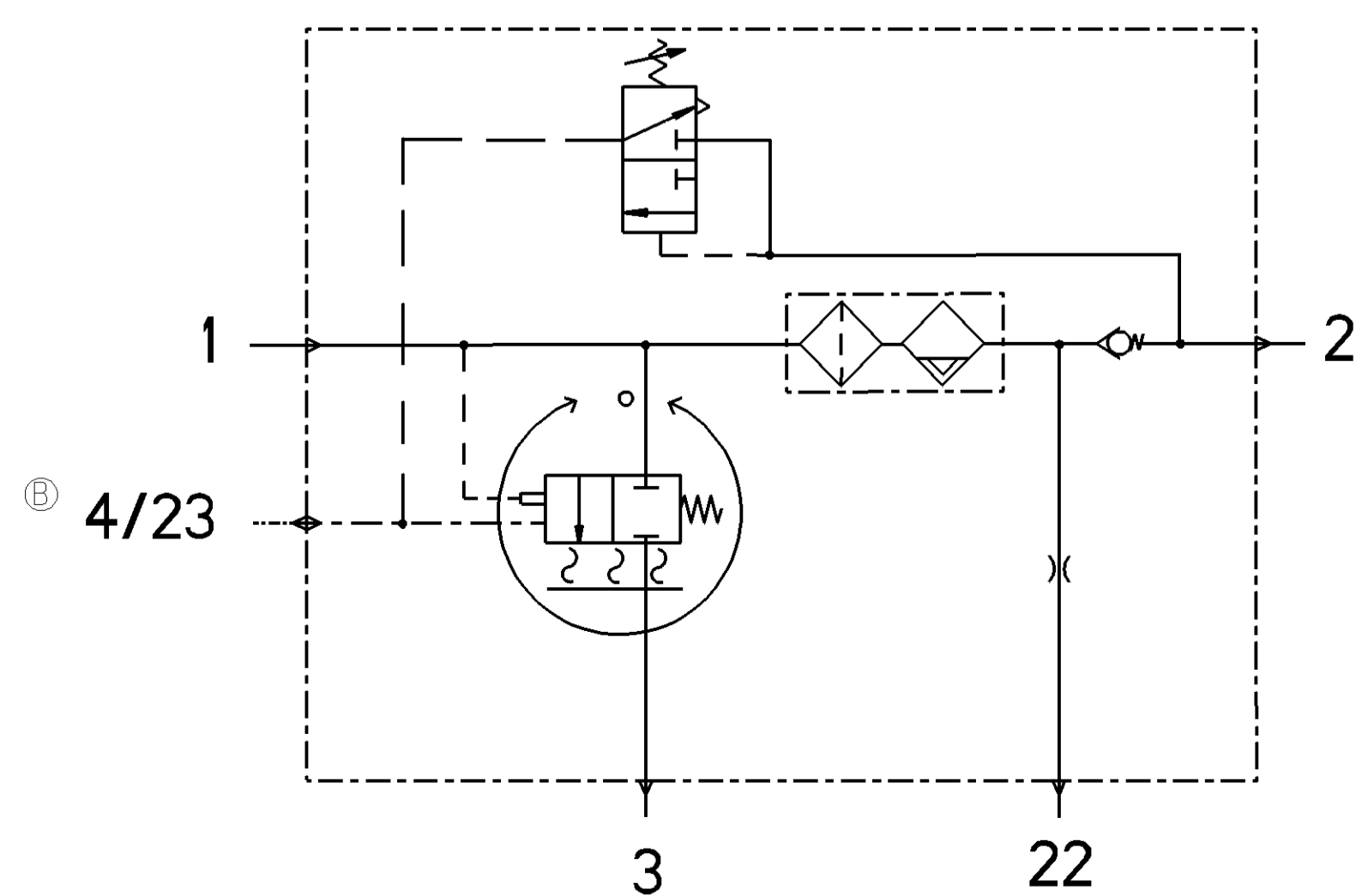
CUT-IN TEMPERATURE: 7° ± 6°C
 CUT-OFF TEMPERATURE: 29.5° ± 3.0°C
 BATTERY VOLTAGE: 24.0^{+4.8} -2.4 V DC
 NOMINAL POWER: 100 W

DATE OF MANUFACTURE (WYBY)



PORT	FUNCTION	THREAT
1	FROM THE COMPRESSOR	M22x1.5
21	TO THE RESERVOIRS	M22x1.5
22	TO THE RESERVOIRS FOR REGENERATION AIR	M12x1.5
3	EXHAUST FOR COMPRESSED AIR	-
4/23	CONTROL PORT / TO COMPRESSOR	M12x1.5
6	HEATER PLUG	M27x1

- ① INSTALLATION POSITION
- ② MOUNTING HEIGHT
- ③ TORQUES FOR CONNECTIONS: M22x1.5: M_{max} = 53 Nm
M16x1.5: M_{max} = 34 Nm
M12x1.5: M_{max} = 21 Nm



General Specification: ED-124-1, Size ISO 14405 LP		Copyright 2020		PROVA	
Further Technical Data: PRO 122 020 0		Doc. Code: 020	Sheet: 1	To: 3	System: AIR DRYER
General Tolerances: ISO 2011		Date: 2020-11-29		Status: 005 EN 1/1	
Range of Nominal Dimensions (a mm)		Date: 2020-12-01		Project: 506717	
Class	10	± 50	± 80	± 400	Material No.
Fine	0.5	1.0	1.5	2.0	Date of first issue: 2020-09-08
Medium	1.0	2.0	3.0	4.0	Doc. Code: 005 EN 1/1
Course	2.0	3.5	5.0	6.5	Size: 6 x 6
Tapped Holes acc.:		A 0		Revision: 6	
Tapped Holes acc.:		A 0		Tolerance: 0.05	